



Chipsmall Limited consists of a professional team with an average of over 10 year of expertise in the distribution of electronic components. Based in Hongkong, we have already established firm and mutual-benefit business relationships with customers from,Europe,America and south Asia,supplying obsolete and hard-to-find components to meet their specific needs.

With the principle of “Quality Parts,Customers Priority,Honest Operation,and Considerate Service”,our business mainly focus on the distribution of electronic components. Line cards we deal with include Microchip,ALPS,ROHM,Xilinx,Pulse,ON,Everlight and Freescale. Main products comprise IC,Modules,Potentiometer,IC Socket,Relay,Connector.Our parts cover such applications as commercial,industrial, and automotives areas.

We are looking forward to setting up business relationship with you and hope to provide you with the best service and solution. Let us make a better world for our industry!



Contact us

Tel: +86-755-8981 8866 Fax: +86-755-8427 6832

Email & Skype: info@chipsmall.com Web: www.chipsmall.com

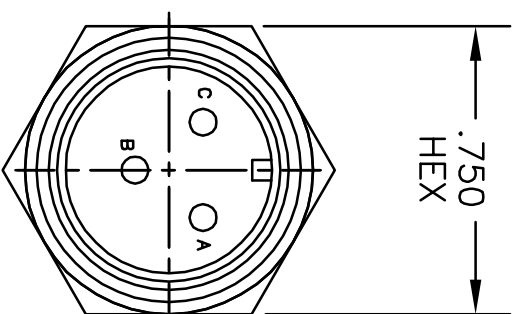
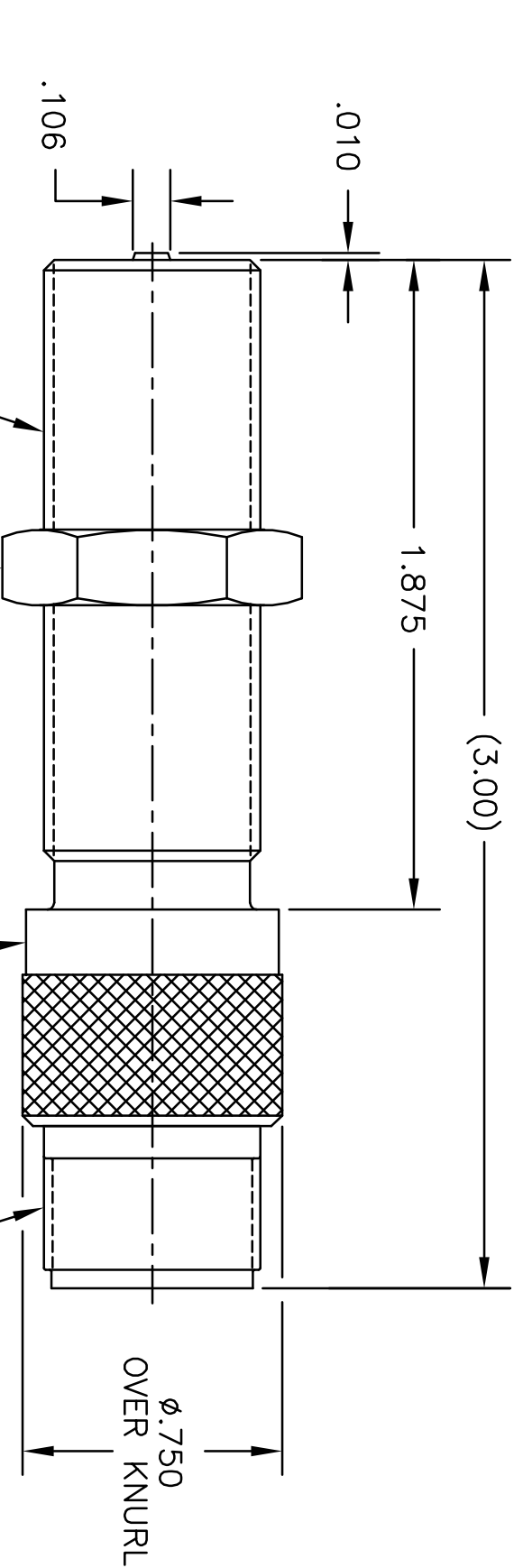
Address: A1208, Overseas Decoration Building, #122 Zhenhua RD., Futian, Shenzhen, China



ELECTRICAL CHARACTERISTICS @ 25°C				
PARAMETER	MIN	MAX	UNIT	TEST CONDITION
SUPPLY VOLTAGE	4.5	15	V	
SUPPLY CURRENT	-	24	mA	V _{cc} = 15V RL = NO EXT. LOAD
OUTPUT VOLTAGE LOW	-	600	mV	I _{sink} = 100 mA
OUTPUT VOLTAGE HIGH	-	V _{cc}	V	
DUTY CYCLE	20	80	%	
OPERATING TEMP	0	70	°C	
OPERATING GAP	-	-	IN	SEE SENSITIVITY CURVES
MAX SINK CURRENT	-	80	mA	
FREQUENCY RESPONSE	0	10	KHz	
OUTPUT LEAKAGE CURRENT	-	15	nA	V _{cc} = V OUT = 15V
REVERSE POLARITY:	-	15	VDC	ACROSS POWER INPUTS
INSTALLATION TORQUE	-	20	FT-LB	

- NOTES:
 1. FINAL TEST 100% & RECORD PER 109466.
 2. FINAL TEST GAP: .110 WITH A 20 PITCH GEAR. (B)

REVISIONS				
ZONE	REV.	DESCRIPTION	DATE	APPROVED
A	1	PRODUCTION RELEASE CND350	8/14/98	JBKIII
B1	1	TEST GAP .110 WAS .125 CND578	11/10/98	
B2	1	REV. SENSITIVITY CURVE FOR 20 PITCH		

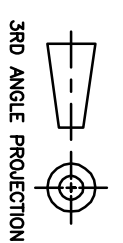
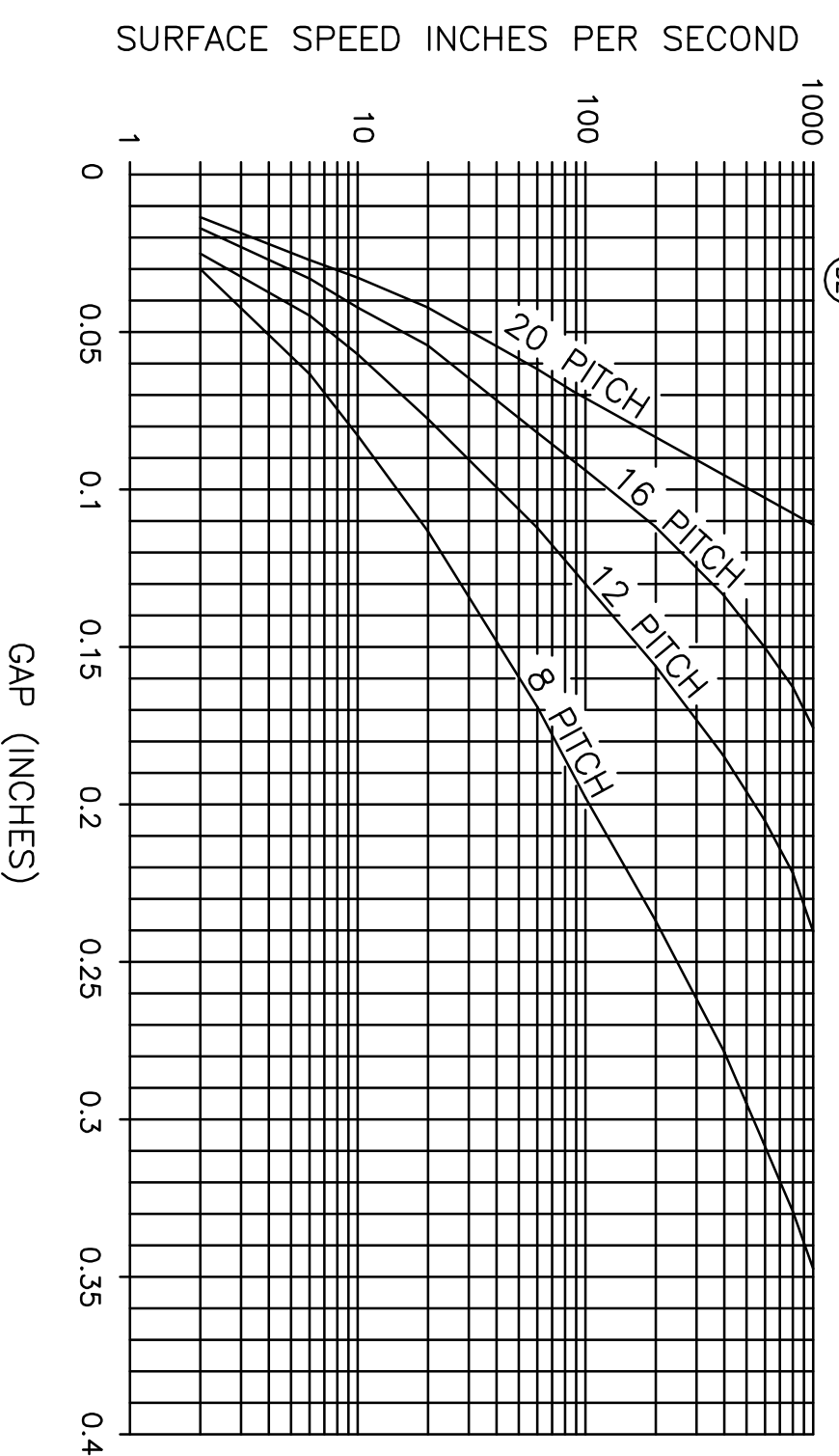


PIN A = + SUPPLY
 PIN B = - SUPPLY
 PIN C = OUTPUT

CONNECTOR
 MATES WITH
 MS3106A-10SL-3S

ROLL DIE: "DI-MAG ECS8426LV XX"
 DATE CODE

SENSITIVITY CURVES @ ROOM TEMP. (TYPICAL)



UNLESS OTHERWISE SPECIFIED
 DIMENSIONS ARE IN INCHES
 .XXX DECIMAL ± .010
 .XX DECIMAL ± .03
 FRACTIONS ± 1/32
 ANGLES ± 5°
 ROUNDING .008 FIL
 12/29 RIMS OR BENTEN ON
 BREAK SHARP CORNERS
 .005/.015 NO BURRS

DO NOT SCALE DRAWING
 THIS DOCUMENT IS THE PROPERTY OF ELECTRO CORPORATION AND MAY NOT BE REPRODUCED EITHER IN FULL OR IN PART WITHOUT WRITTEN APPROVAL BY ELECTRO CORPORATION.

DRAWN	CHKD.	ENGR.	MFG.	Q.C.	SPEC. CONT.
JKS	JBKIII	TG	DAC		

DATE: 8/18/98
 8/19/98
 8/14/98
 8/14/98

SIZE: TFSUM NO. 81692
 DRAWING INTERPRETATION PER ANSI Y14.9M-1982
 SCALE: 2:1
 MODEL DWG. NO. 58426LV
 SHEET 1 OF 1

THIS IS A COMPUTER GENERATED DRAWING
 MANUAL REVISIONS WILL NOT BE RECORDED

MODEL DWG. NO.	SH	REV
58426LV	1	B

UNCONTROLLED COPY. REVISIONS WILL NOT BE AUTOMATICALLY UPDATED. CONFIRM APPROPRIATE REVISION LEVEL WITH ELECTRO CORPORATION.