



Chipsmall Limited consists of a professional team with an average of over 10 year of expertise in the distribution of electronic components. Based in Hongkong, we have already established firm and mutual-benefit business relationships with customers from,Europe,America and south Asia,supplying obsolete and hard-to-find components to meet their specific needs.

With the principle of “Quality Parts,Customers Priority,Honest Operation,and Considerate Service”,our business mainly focus on the distribution of electronic components. Line cards we deal with include Microchip,ALPS,ROHM,Xilinx,Pulse,ON,Everlight and Freescale. Main products comprise IC,Modules,Potentiometer,IC Socket,Relay,Connector.Our parts cover such applications as commercial,industrial, and automotives areas.

We are looking forward to setting up business relationship with you and hope to provide you with the best service and solution. Let us make a better world for our industry!



Contact us

Tel: +86-755-8981 8866 Fax: +86-755-8427 6832

Email & Skype: info@chipsmall.com Web: www.chipsmall.com

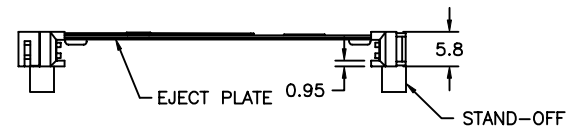
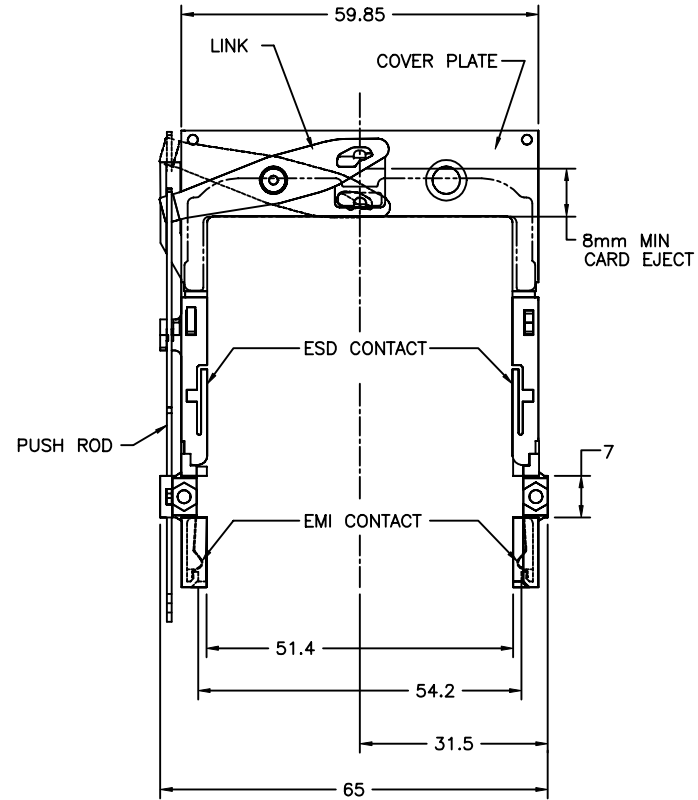
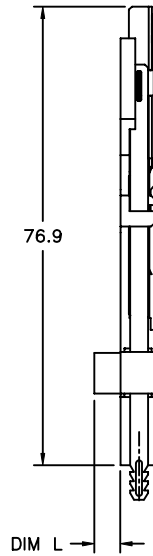
Address: A1208, Overseas Decoration Building, #122 Zhenhua RD., Futian, Shenzhen, China



Tous droits strictement reserves. Reproduction ou communication a des tiers interdite sous quelque forme que ce soit sans autorisation ecrite du proprietaire. Propriete de c FCI. Droits de reproduction FCI.

All rights strictly reserved. Reproduction or issue to third parties in any form whatever is not permitted without written authority from the proprietor. Property of FCI. Copyright FCI.

PRODUCT NO.	STAND-OFF DIM L
58449-100	0.0
58449-143	4.3
58449-122	2.2
58449-150	5.0



NOTES:

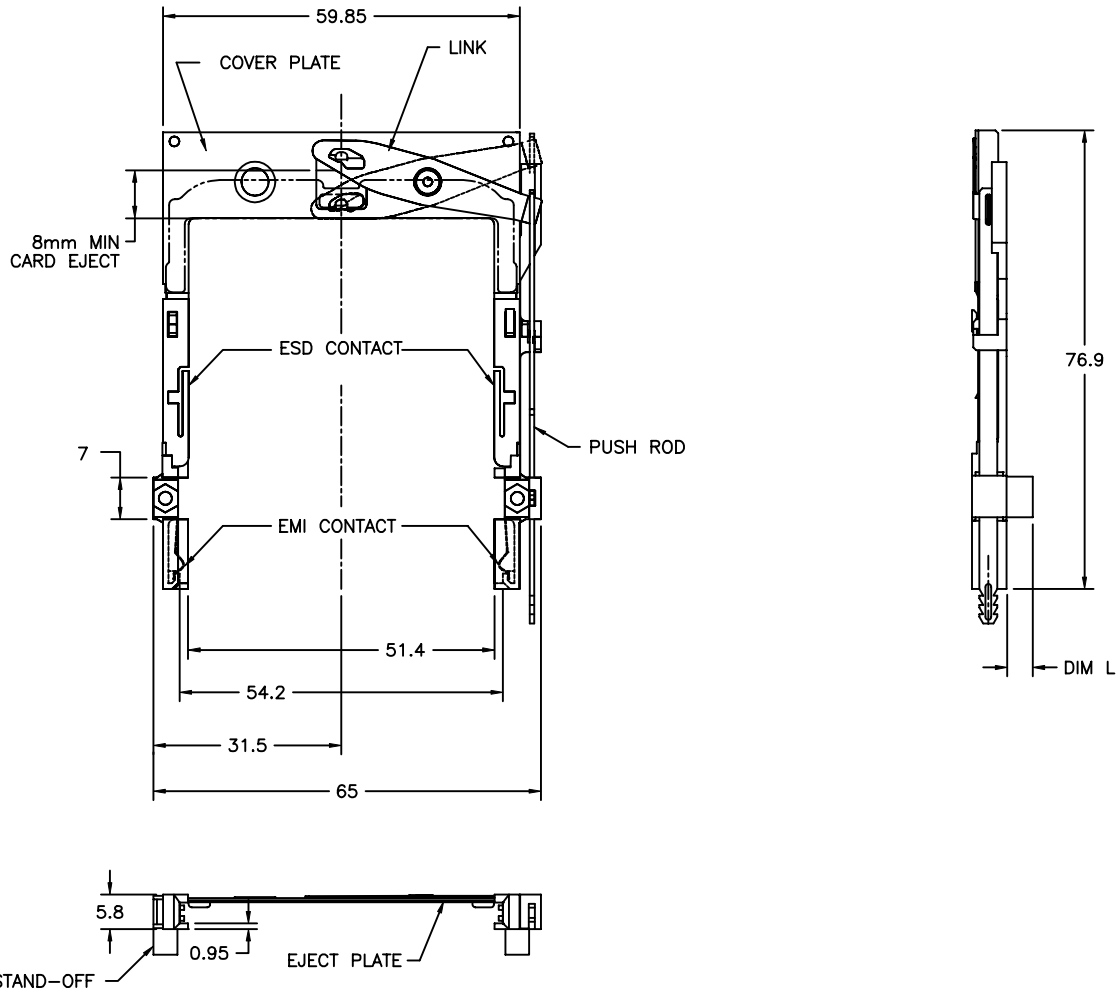
- EJECT PLATE TO MOVE ALONG INSIDE WALL OF COVER PLATE SMOOTHLY AFTER ASSEMBLING WITH HEADER.
- MATERIAL:
PLASTIC GUIDES: POLYPHTHARAMIDE UL94V-0 BLACK
COVER PLATE, EJECT PLATE, EJECT LINK, PUSH ROD: STAINLESS STEEL
EMI CONTACT: PHOSPHOR BRONZE
- FINISH:
EMI CONTACT:
CONTACT AREA: 0.5um Au
UNDER PLATING: 2.0um Ni
- RECOMMENDED SCREW TORQUE: 1.0 TO 1.5 MAX in-lbs. (1.2-1.7 cm-kgs).
RECOMMENDED HOLD DOWN 2mm SCREWS (95121) AND NUTS (92869).

mat'l. code				tolerances unless otherwise specified		CUSTOMER COPY		 www.fciconnect.com		
ltr	ecn no	dr	date	linear	.X±.3	projection		title		
A	V20295	LP	2/7/02		.XX±.13			FRONT EJECT MECHANISM WITHOUT PUSH BUTTON		
				angles	.XXX±.051	 MM	 1/1	product family		
				dr	L.POTTEIGER			2/7/02	MCS	
				enr	D.BRANN			2/7/02	code	
				chr	D.BRANN			2/7/02	213	
				appd	D.BRANN	2/7/02	size			
sheet index		revision sheet		A	A	A4		58449		
		1 2						sheet 1 of 2		

Tous droits strictement reserves. Reproduction ou communication a des tiers interdite sous quelque forme que ce soit sans autorisation ecrite du proprietaire. Propriete de c FCI. Droits de reproduction FCI.

All rights strictly reserved. Reproduction or issue to third parties in any form whatever is not permitted without written authority from the proprietor. Property of FCI. Copyright FCI.

PRODUCT NO.	STAND-OFF DIM L
58449-000	0.0
58449-043	4.3
58449-022	2.2
58449-050	5.0



mat'l. code				tolerances unless otherwise specified		CUSTOMER COPY		 FCI www.fciconnect.com	
ltr	ecn no	dr	date	linear	.X±.3	projection	title		
A					.XX±.13		 MM	FRONT EJECT MECHANISM WITHOUT PUSH BUTTON	
				angles	.XXX±.051			product family	
				dr	0° ±2°		MCS		213
				enr			size		sheet
				chr	L.POTTEIGER 2/7/02		58449		2 of
				appd	D.BRANN 2/7/02	scale			
					D.BRANN 2/7/02	1/1			
sheet index	revision sheet								

ACAD

PDM: Rev:A

3 STATUS Released 22526
 cage code
 4 Printed: Oct 12, 2010