



Chipsmall Limited consists of a professional team with an average of over 10 year of expertise in the distribution of electronic components. Based in Hongkong, we have already established firm and mutual-benefit business relationships with customers from,Europe,America and south Asia,supplying obsolete and hard-to-find components to meet their specific needs.

With the principle of “Quality Parts,Customers Priority,Honest Operation,and Considerate Service”,our business mainly focus on the distribution of electronic components. Line cards we deal with include Microchip,ALPS,ROHM,Xilinx,Pulse,ON,Everlight and Freescale. Main products comprise IC,Modules,Potentiometer,IC Socket,Relay,Connector.Our parts cover such applications as commercial,industrial, and automotives areas.

We are looking forward to setting up business relationship with you and hope to provide you with the best service and solution. Let us make a better world for our industry!



## Contact us

Tel: +86-755-8981 8866 Fax: +86-755-8427 6832

Email & Skype: info@chipsmall.com Web: www.chipsmall.com

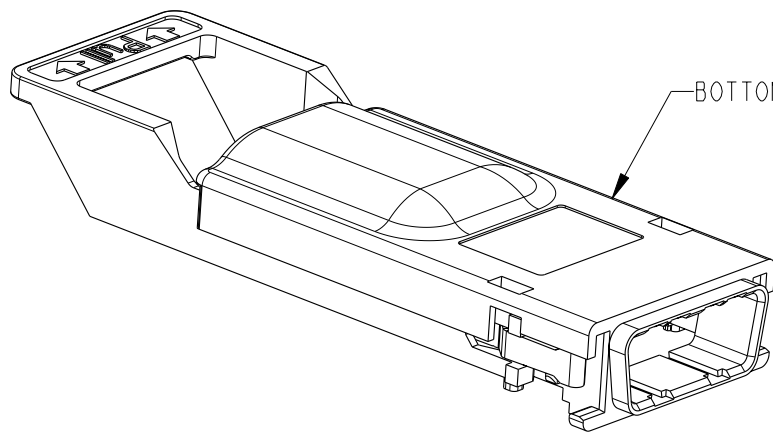
Address: A1208, Overseas Decoration Building, #122 Zhenhua RD., Futian, Shenzhen, China



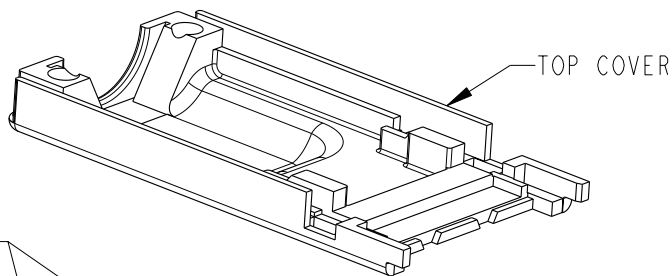
| PRODUCT NUMBER * | DESCRIPTION                       |
|------------------|-----------------------------------|
| 58476-001        | WITH COMPANY LOGO                 |
| 58476-002        | WITHOUT COMPANY LOGO, WITH FCI    |
| 58476-003        | WITHOUT COMPANY LOGO, WITHOUT FCI |
| 58476-004        | WITH SPECIAL CUSTOMER LOGO        |

NOTE 4

\* ADD "LF" SUFFIX AT THE END OF PART NUMBER FOR LEAD FREE OPTION.

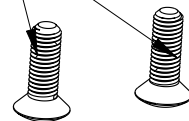


BOTTOM COVER ASSEMBLY



TOP COVER

M2.5 OVAL HEAD SCREWS



NOTES:

1. MATERIALS:

DIE CAST SHELL: ZINC WITH Ni PLATING COPPER UNDER PLATINGS.

PULL TAB: THERMOPLASTIC

LATCH: STAINLESS STEEL

SCREWS: STAINLESS STEEL (M2.5 SCREWS)

2. USED WITH EYEMAX® PLUG 58443 (WITHOUT PCB), 58638 (WITH UNEQUALIZED PCB) OR 10026692 (WITH EQUALIZED PCB). COVER ASSEMBLY AND CONNECTOR CAN ALSO BE PURCHASED TOGETHER IN KIT 58441.

3. THIS PRODUCT MEETS EUROPEAN UNION DIRECTIVES AND OTHER COUNTRY REGULATION AS DESCRIBED IN GS-22-008.

4. THIS P/N NOT INCLUDE OVAL HEAD SCREWS



Copyright FCI.

| rev | ecn no   | dr  | date       |
|-----|----------|-----|------------|
| A   | V03-0406 | GIP | 04/09/03   |
| B   | V04-0484 | DA1 | 06/08/04   |
| C   | M06-0251 | MHT | 6/30/06    |
| D   | M06-0458 | MHT | 2006-11-14 |
| E   | M07-0081 | MHT | 2007-01-30 |
| F   | M07-0121 | MHT | 2007-02-19 |
| -   | -        | -   | -          |

|                                       |           |                           |                               |                            |              |
|---------------------------------------|-----------|---------------------------|-------------------------------|----------------------------|--------------|
| www.fciconnect.com                    |           | surface - ✓<br>ASME Y14.5 | tolerance std<br>ASME Y14.5 - | projection<br>⊕            | MM<br>↔      |
| TOLERANCES UNLESS OTHERWISE SPECIFIED |           | ANGULAR                   | LINEAR                        | size A4                    | Scale 1:1    |
| Dr                                    | G. PETERS | 04/09/03                  | 0.X ±.3                       | ECN M07-0121               |              |
| Eng                                   | D. BRANN  | 04/09/03                  | 0.XX ±.10                     | Spec ref -                 |              |
| Chr                                   | G. PETERS | 04/09/03                  | 0.XXX ±.050                   | Product family EyeMax (TM) |              |
| Appr                                  | D. BRANN  | 04/09/03                  | spec ref -                    |                            |              |
| FCI                                   |           | 4X COVER ASSEMBLY KIT     |                               | dwg no 58476               | Rev. F       |
| EYEMAX(tm)                            |           | catalog no -              |                               | CUSTOMER                   | sheet 1 of 1 |