



Chipsmall Limited consists of a professional team with an average of over 10 year of expertise in the distribution of electronic components. Based in Hongkong, we have already established firm and mutual-benefit business relationships with customers from,Europe,America and south Asia,supplying obsolete and hard-to-find components to meet their specific needs.

With the principle of “Quality Parts,Customers Priority,Honest Operation,and Considerate Service”,our business mainly focus on the distribution of electronic components. Line cards we deal with include Microchip,ALPS,ROHM,Xilinx,Pulse,ON,Everlight and Freescale. Main products comprise IC,Modules,Potentiometer,IC Socket,Relay,Connector.Our parts cover such applications as commercial,industrial, and automotives areas.

We are looking forward to setting up business relationship with you and hope to provide you with the best service and solution. Let us make a better world for our industry!



Contact us

Tel: +86-755-8981 8866 Fax: +86-755-8427 6832

Email & Skype: info@chipsmall.com Web: www.chipsmall.com

Address: A1208, Overseas Decoration Building, #122 Zhenhua RD., Futian, Shenzhen, China



1

2

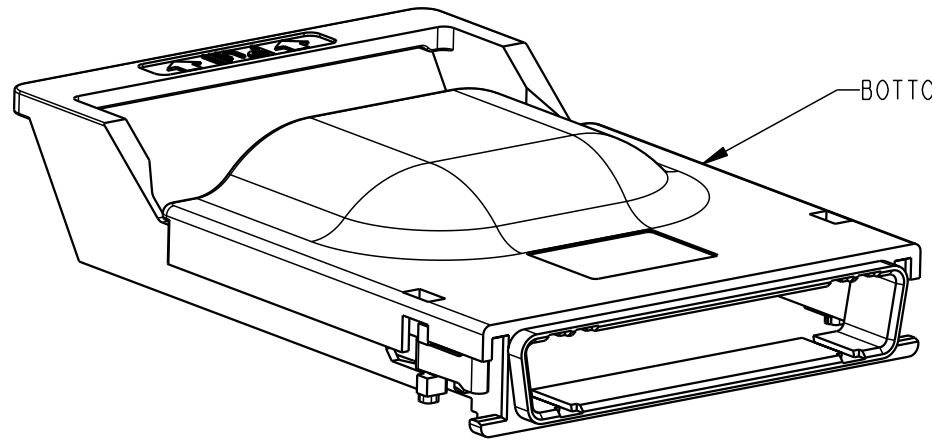
3

4

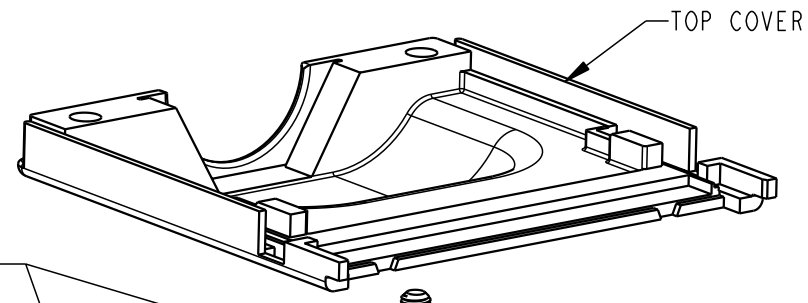
PRODUCT NUMBER

58477-002

Tous droits strictement reserves. Reproduction ou communication a des tiers interdite sous quelque forme que ce soit sans autorisation écrite du propriétaire. Propriete de c FCI. Droits de reproduction FCI.

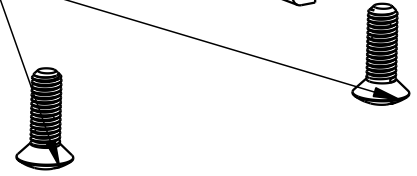


BOTTOM COVER ASSEMBLY



TOP COVER

M2.5 OVAL HEAD SCREWS



NOTES:

- 1. MATERIAL:
DIE CAST SHELL: ZINC WITH Ni PLATING OVER COPPER UNDERPLATING.
PULL TAB: THERMOPLASTIC
LATCH: STAINLESS STEEL
SCREWS: STAINLESS STEEL (M2.5)
- 2. USED WITH EYEMAX® PLUG 58443 (WITHOUT PCB), 58638 (WITH UNEQUALIZED PCB) OR 10026694 (WITH EQUALIZED PCB). COVER ASSEMBLY AND CONNECTOR CAN ALSO BE PURCHASED TOGETHER IN KIT 58442.



All rights strictly reserved. Reproduction or issue to third parties in any form whatever is not permitted without written authority from the proprietor. Property of FCI. Copyright FCI.

TOLERANCES UNLESS OTHERWISE SPECIFIED				rev	ecn no	dr	date
LINEAR	0.X	±.3	-	A	V03-0406	GIP	04/09/03
	0.XX	±.10	-	B	V04-0484	DAI	06/09/04
	0.XXX	±.050	-	-	-	-	-
ANGULAR	0°	±2°	-	-	-	-	

FCI		www.fciconnect.com		surface 3.2 ASME Y14.5	tolerance ASME Y14.5	projection ASME Y14.5	MM
Dr	G.PETERS	04/09/03	Product family	EyeMax (TM)		size	A4
Eng	G.PETERS	04/09/03	Spec ref	-		Scale	1:1
Chr	G.PETERS	04/09/03	Material	SEE NOTES		ECN	V04-0484
Appr	D.BRANN	04/09/03	title		12X COVER ASSY KIT		Rev.
catalog no			-		58477		B
CUSTOMER						sheet 1 of 1	