



Chipsmall Limited consists of a professional team with an average of over 10 year of expertise in the distribution of electronic components. Based in Hongkong, we have already established firm and mutual-benefit business relationships with customers from,Europe,America and south Asia,supplying obsolete and hard-to-find components to meet their specific needs.

With the principle of “Quality Parts,Customers Priority,Honest Operation,and Considerate Service”,our business mainly focus on the distribution of electronic components. Line cards we deal with include Microchip,ALPS,ROHM,Xilinx,Pulse,ON,Everlight and Freescale. Main products comprise IC,Modules,Potentiometer,IC Socket,Relay,Connector.Our parts cover such applications as commercial,industrial, and automotives areas.

We are looking forward to setting up business relationship with you and hope to provide you with the best service and solution. Let us make a better world for our industry!



Contact us

Tel: +86-755-8981 8866 Fax: +86-755-8427 6832

Email & Skype: info@chipsmall.com Web: www.chipsmall.com

Address: A1208, Overseas Decoration Building, #122 Zhenhua RD., Futian, Shenzhen, China



Dialight

586 Series Single Chip BASED LED T3 1/4 MINIATURE SCREW (E10)

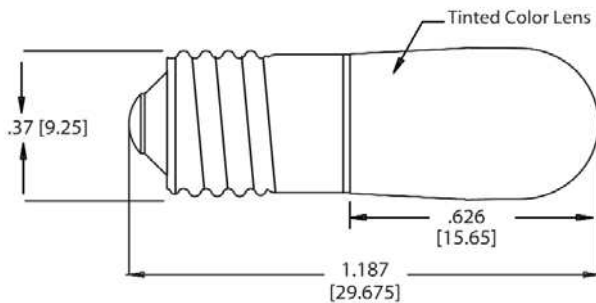


FEATURES / BENEFITS

- ▲ RoHS Compliant
- ▲ Long life - typically 100K hours
- ▲ High brightness with low current draw - uses up to 90% less energy than an incandescent
- ▲ Long life - typically 100K hours
- ▲ True non-polarized configuration
- ▲ No heat generated
- ▲ Mounts directly into industry standard socket
- ▲ Resistant to shock and vibration
- ▲ AlInGaP and InGaN technology
- ▲ Super bright single chip design
- ▲ Colors include red, green, yellow, blue and white

Dialight's line of based LED lamps is designed to directly replace many popular subminiature and miniature incandescent lamps. The benefits of LED technology over incandescent are significant: They offer long life, are shock resistant, withstand vibration and provide energy conservation.

SPECIFICATIONS



*Measurements are typical
Dimensions are inches [mm]*

- ▲ Operating voltages: 6, 14, and 28 VDC
- ▲ Non-polarized
- ▲ Operating temperature: -30°C to +85°C
- ▲ Storage temperature: -40°C to +100°C
- ▲ Replaces incandescent lamp numbers*:
40, 46, 1481, 1487, 1821

***See Dialight's Incandescent lamp/based LED cross reference for a complete listing**

CONSIDERATIONS

- ▲ Since lens caps act as filters for the light emitted from the based LED, it is important to match the emitting color of the LED. If not matched properly, the overall light output may be substantially reduced. Dialight recommends using transparent lenses, which will optimize the light output.
- ▲ Although these lamps can be operated at a lower voltage, which will increase the life, the intensity will be reduced.
- ▲ Operation of the based LED at a higher voltage should not exceed 10% above the recommended voltage.
- ▲ Dialight does not recommend that based LED lamps be used in neon sockets.

Dialight reserves the right to make changes at any time in order to supply the best product possible.



Dialight Corporation

1501 Route 34 South • Farmingdale, NJ 07727 USA

Tel: (1) 732-919-3119 • Fax: (1) 732-751-5778 • www.dialight.com



MDEL586F001_F

T3 1/4 MINIATURE SCREW (E10)

PART NUMBER	COLOR	PEAK WAVELENGTH (nm)	VOLTAGE (VDC)	CURRENT TYP.-(mA)	INTENSITY TYP.-(mcd)	RoHS COMPLIANT
586-2701-201F	Red	630	6	15	1050	✓
586-2702-201F	Green	525	6	15	1650	✓
586-2703-201F	Yellow	592	6	15	1275	✓
586-2705-201F	Blue	470	6	15	487	✓
586-2706-201F	White	*	6	15	825	✓
586-2701-203F	Red	630	14	15	1050	✓
586-2702-203F	Green	525	14	15	1650	✓
586-2703-203F	Yellow	592	14	15	1275	✓
586-2705-203F	Blue	470	14	15	487	✓
586-2706-203F	White	*	14	15	825	✓
586-2701-205F	Red	630	28	7.5	525	✓
586-2702-205F	Green	525	28	7.5	825	✓
586-2703-205F	Yellow	592	28	7.5	637	✓
586-2705-205F	Blue	470	28	7.5	243	✓
586-2706-205F	White	*	28	7.5	412	✓

* Color Coordinates: x = 0.330, y = 0.365

Based LEDs SELECTION

With the technological advancements in Light Emitting Diodes (LEDs) brightness can now rival the incandescent lamp when used in similar packages. These advancements have created a new type of product called the based LED - an LED with the functionality of an incandescent bulb.

The following styles are currently available in red, green, yellow, blue and white:

- ▲ T1 3/4 Midget Flange
- ▲ T1 3/4 Bi-Pin
- ▲ T1 3/4 Wedge (T5)
- ▲ T2 Telephone Slide
- ▲ T3 1/4 Miniature Bayonet (BA9s)
- ▲ T3 1/4 Miniature Screw (E10)
- ▲ T3 1/4 Wedge (T10)
- ▲ 15mm SC Bayonet (BA15s)

Dialight's line of based LEDs continues to grow.

Please visit our website for more information.

www.dialight.com

Dialight reserves the right to make changes at any time in order to supply the best product possible.



Dialight Corporation

1501 Route 34 South • Farmingdale, NJ 07727 USA

Tel: (1) 732-919-3119 • Fax: (1) 732-751-5778 • www.dialight.com



MDEL586F001_F