



Chipsmall Limited consists of a professional team with an average of over 10 year of expertise in the distribution of electronic components. Based in Hongkong, we have already established firm and mutual-benefit business relationships with customers from,Europe,America and south Asia,supplying obsolete and hard-to-find components to meet their specific needs.

With the principle of “Quality Parts,Customers Priority,Honest Operation,and Considerate Service”,our business mainly focus on the distribution of electronic components. Line cards we deal with include Microchip,ALPS,ROHM,Xilinx,Pulse,ON,Everlight and Freescale. Main products comprise IC,Modules,Potentiometer,IC Socket,Relay,Connector.Our parts cover such applications as commercial,industrial, and automotives areas.

We are looking forward to setting up business relationship with you and hope to provide you with the best service and solution. Let us make a better world for our industry!



Contact us

Tel: +86-755-8981 8866 Fax: +86-755-8427 6832

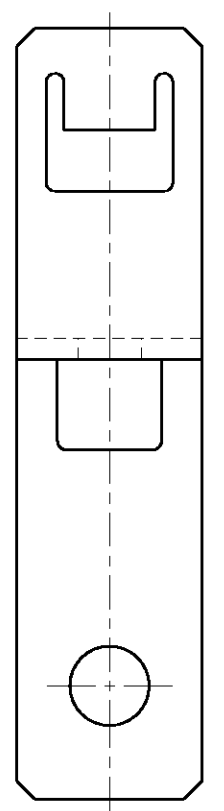
Email & Skype: info@chipsmall.com Web: www.chipsmall.com

Address: A1208, Overseas Decoration Building, #122 Zhenhua RD., Futian, Shenzhen, China



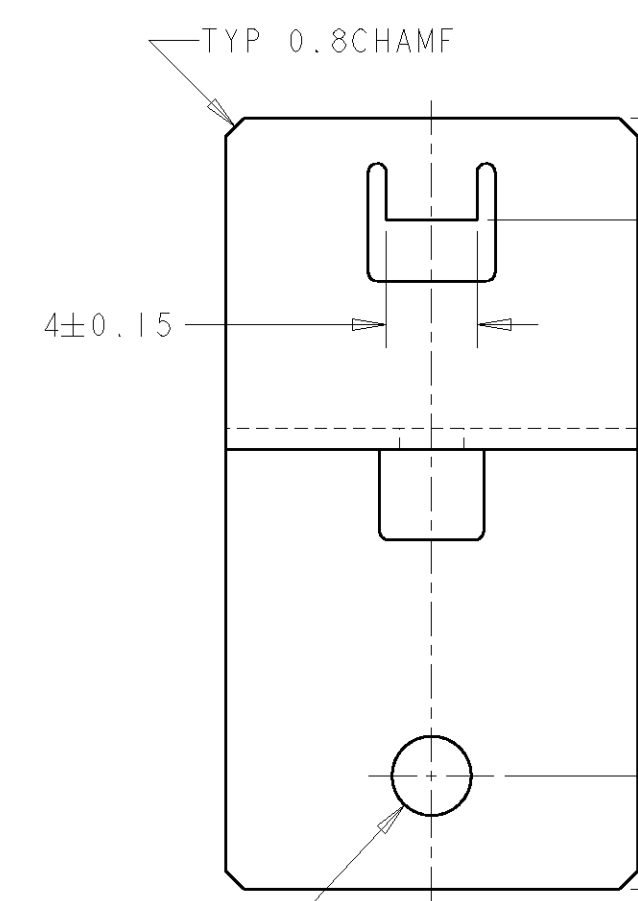
THIS DRAWING IS UNPUBLISHED. RELEASED FOR PUBLICATION 20
 © COPYRIGHT 20 BY TYCO ELECTRONICS CORPORATION. ALL RIGHTS RESERVED.

| P | LTR | DESCRIPTION | ECN | DATE | DWN | APVD |
|----|-----|-----------------------------|---------------|-----------|-----|------|
| | | | | | | |
| 0 | | RELEASED | FJ00-0726-94 | 08JUL1994 | N.M | S.M |
| A | | REVISED | FJ00-1505-94 | 27OCT1994 | K.I | S.M |
| AI | | PART NO. ADDITION & REDRAWN | ECR-05-018866 | 05DEC2005 | M.M | D.M |

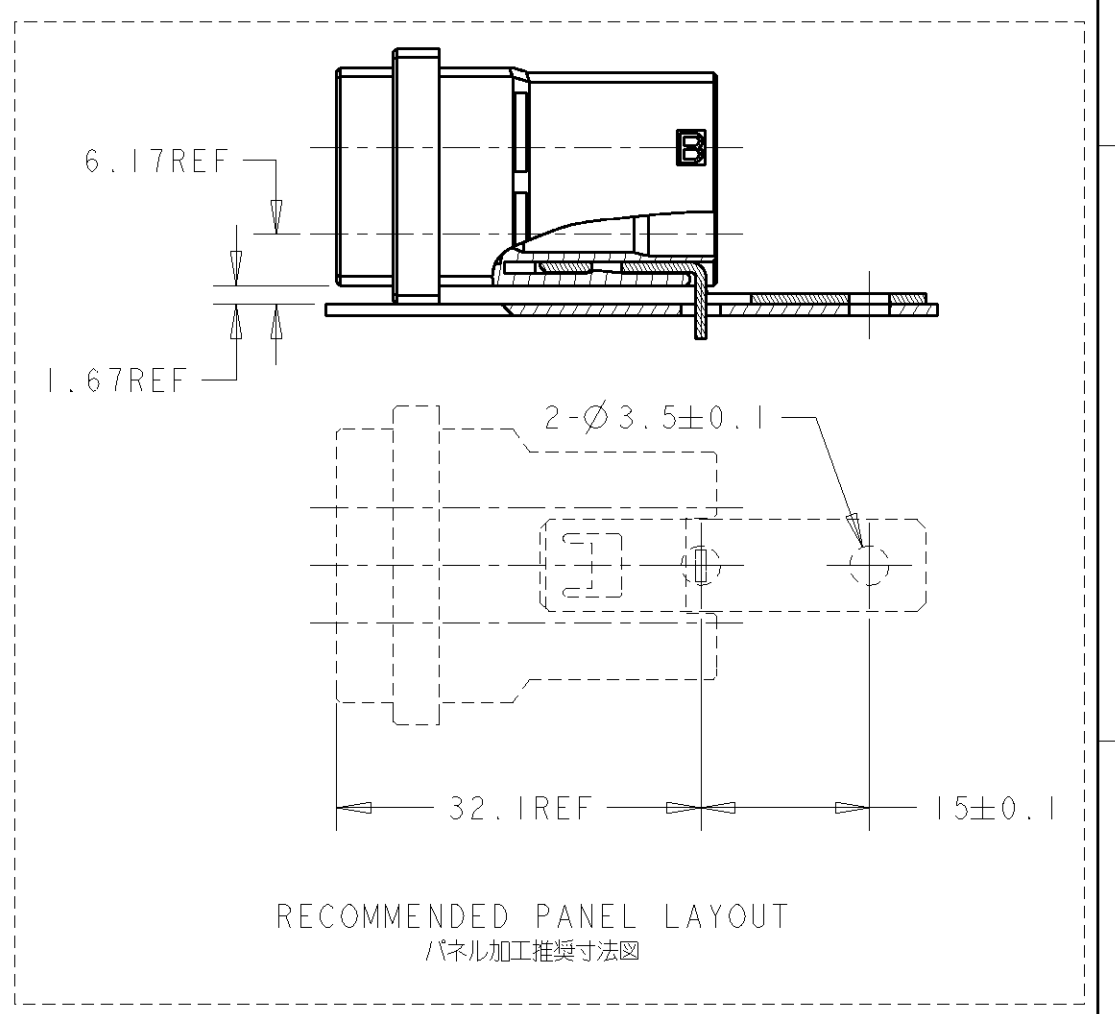
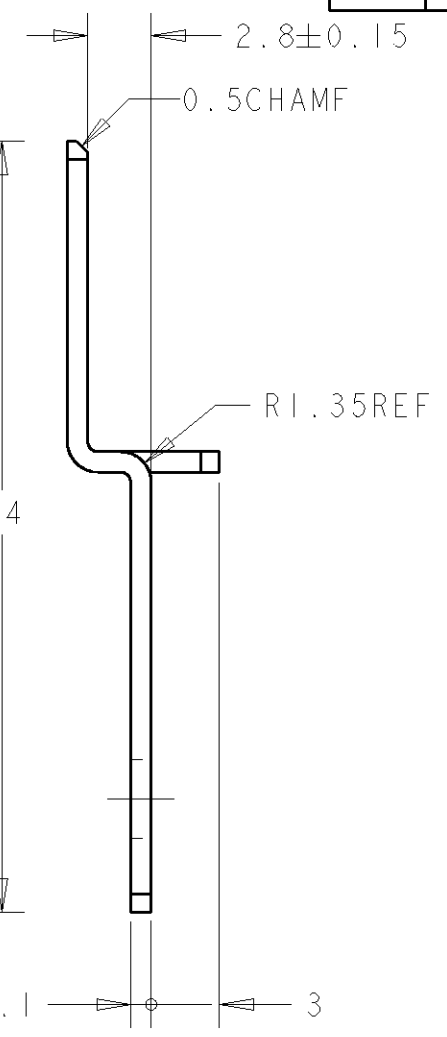


8.15±0.15

900121-2
 (A1)5900121-2
 SMALL



900121-4
 (A1)5900121-4
 LARGE



- △ MATERIAL : CARBON STEEL, THICKNESS=0.9±0.1mm
- △ FINISH : CHROMATE (Zn PLATE)
- (A1) △ FINISH : AFTER Cu GROUND PLATING 2.5μmMIN OF ALL ASPECTS, Ni PLATE 2.5μmMIN
- △ 材料 : スチール 板厚=0.9±0.1mm
- △ 仕上 : クロメート(亜鉛めっき)処理
- (A1) △ 仕上 : 全面銅下地めっき2.5μm以上の上に, Niめっき2.5μm以上を施す

| | | | | | |
|-------|--------|----------|----------|-----------|------|
| LARGE | △3 | △1 STEEL | t=0.9 | 5900121-4 | (A1) |
| SMALL | △3 | △1 STEEL | t=0.9 | 5900121-2 | (A1) |
| LARGE | △2 | △1 STEEL | t=0.9 | 900121-4 | |
| SMALL | △2 | △1 STEEL | t=0.9 | 900121-2 | |
| NAME | FINISH | MATERIAL | PART NO. | | |

| | | | | | |
|--|--|--|--|---|--|
| THIS DRAWING IS A CONTROLLED DOCUMENT FOR TYCO ELECTRONICS CORPORATION IT IS SUBJECT TO CHANGE AND THE CONTROLLING ENGINEERING ORGANIZATION SHOULD BE CONTACTED FOR THE LATEST REVISION. | | DWN M. MAEBASHI 05DEC2005 CHK T. SAKAMOTO 06JAN2006 APVD D. MITSUGI 10JAN2006 | | tyco Electronics Tyco Electronics AMP K.K. Kawasaki, Japan | |
| DIMENSIONS: 単位: 概 mm | | TOLERANCES UNLESS OTHERWISE SPECIFIED: 一般公差 ±0.3, ±3° 0-PLC ± 1-PLC ±0.5 2-PLC ±0.13 3-PLC ±0.013 4-PLC ±0.001 ANGLES ± | | PRODUCT SPEC 108-5349 APPLICATION SPEC 取付適用規格 | |
| MATERIAL 材料 - | | FINISH 仕上 - | | NAME 名称 "L" METAL HOOK FOR DYNAMIC FREE HANGING (D-3) | |
| WEIGHT - | | SIZE A3 | | CAGE CODE 00779 | |
| CUSTOMER DRAWING | | DRAWING NO C=900121 | | RESTRICTED TO - | |
| SCALE 尺度 3:1 | | SHEET 1 OF 1 | | REV A1 | |