



Chipsmall Limited consists of a professional team with an average of over 10 year of expertise in the distribution of electronic components. Based in Hongkong, we have already established firm and mutual-benefit business relationships with customers from,Europe,America and south Asia,supplying obsolete and hard-to-find components to meet their specific needs.

With the principle of “Quality Parts,Customers Priority,Honest Operation,and Considerate Service”,our business mainly focus on the distribution of electronic components. Line cards we deal with include Microchip,ALPS,ROHM,Xilinx,Pulse,ON,Everlight and Freescale. Main products comprise IC,Modules,Potentiometer,IC Socket,Relay,Connector.Our parts cover such applications as commercial,industrial, and automotives areas.

We are looking forward to setting up business relationship with you and hope to provide you with the best service and solution. Let us make a better world for our industry!



Contact us

Tel: +86-755-8981 8866 Fax: +86-755-8427 6832

Email & Skype: info@chipsmall.com Web: www.chipsmall.com

Address: A1208, Overseas Decoration Building, #122 Zhenhua RD., Futian, Shenzhen, China





Representative photograph, actual product appearance may vary.

Due to regional agency approval requirements, some products may not be available in your area. Please contact your regional Honeywell office regarding your product of choice.

590SX1N56S102SP

590 Series Commercial Potentiometer, Conductive Plastic Element, PC Terminals, 0.5 W Power Rating, 1 kOhm Resistance Value

Features

- Compact - 12,7 mm [0.5 in] modular size
- Robust - Brass shaft and bushings
- Conductive plastic element
- Linear taper
- PC style terminals

Typical Applications

- Manual controls
- Welding and heating
- Telecommunications

Description

The 590 Series is a low cost potentiometer with the benefits of a conductive plastic element. It offers a 1/2 watt power rating and a metal shaft and bushing.

590SX1N56S102SP

590 Series Commercial Potentiometer, Conductive Plastic Element, PC Terminals, 0.5 W Power Rating, 1 kOhm Resistance Value

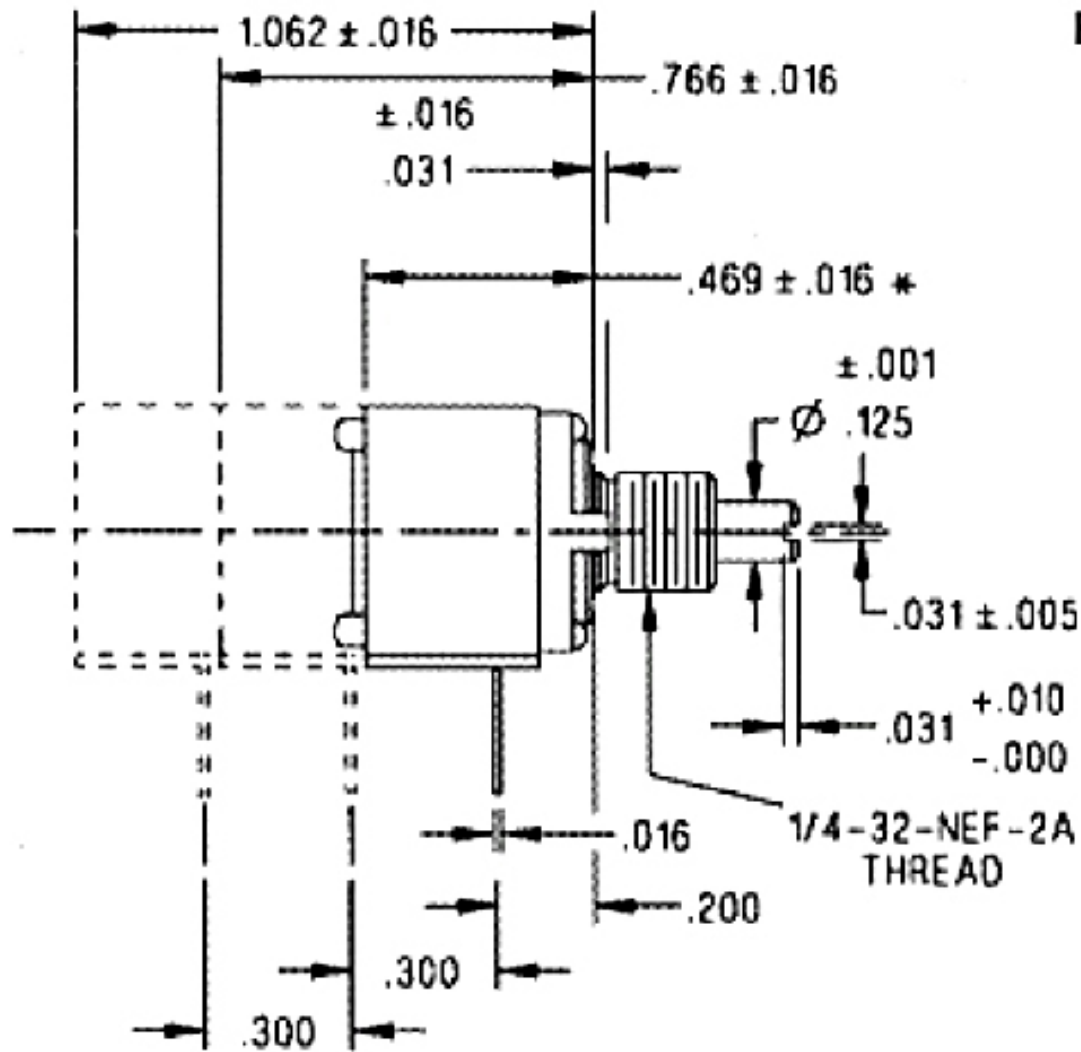
Product Specifications

| | |
|-------------------------------|---|
| Potentiometer Type | Commercial |
| Element Type | Conductive Plastic |
| Terminal Type | PC |
| Power Rating | 0.5 W |
| Resistance Value | 1 kOhm |
| Resistance Tolerance | ± 10 % |
| Linearity | ± 5 % |
| Bushing Thread | 6,35 mm [0.25 in] x 32 NEF-2A |
| Bushing length | 6,35 mm [0.25 in] |
| Bushing Type | Standard |
| Shaft Diameter | 3,18 mm [0.125 in] |
| Shaft length | 22,22 mm [0.875 in] |
| Shaft Ending | Slotted |
| Body | 12.7 mm [0.5 in] square, ± 0.79 mm [0.031 in] |
| Electrical Taper | Linear |
| Operating Temperature | -40 °C to 120 °C [-40 °F to 248 °F] |
| Working Voltage (Max.) | 350 V |
| Rotational Life | 50000 cycles |
| Mechanical Rotation | 295° |
| Availability | Global |
| Series Name | 590 Series |
| UNSPSC Code | 4111363300 |
| UNSPSC Commodity | 4111363300 Potentiometers |

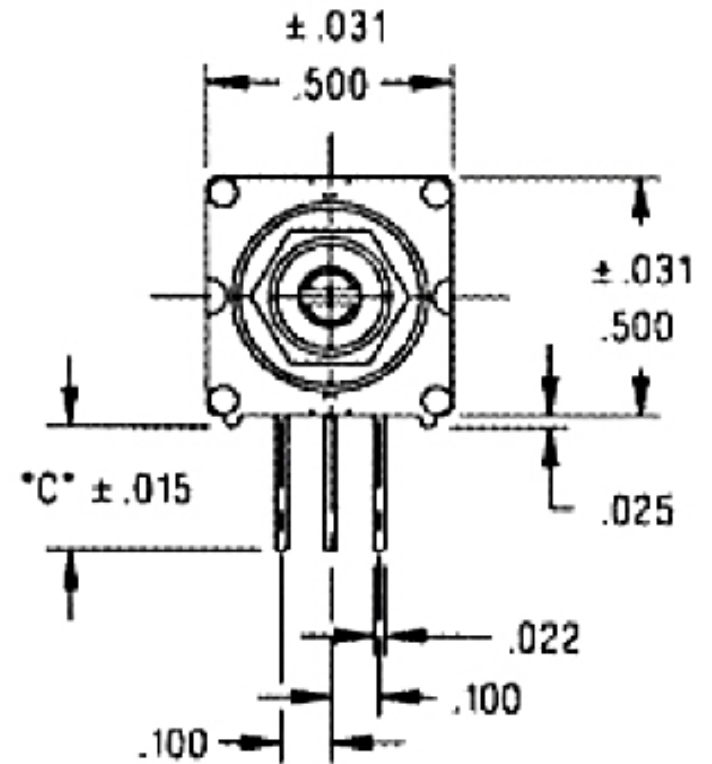
Honeywell

590SX1N56S102SP

590 Series Commercial Potentiometer, Conductive Plastic Element, PC Terminals, 0.5 W Power Rating, 1 kOhm Resistance Value



For Reference Only



Honeywell

590SX1N56S102SP

590 Series Commercial Potentiometer, Conductive Plastic Element, PC Terminals, 0.5 W Power Rating, 1 kOhm Resistance Value

 WARNING

PERSONAL INJURY

DO NOT USE these products as safety or emergency stop devices, or in any other application where failure of the product could result in personal injury.

Failure to comply with these instructions could result in death or serious injury.

 WARNING

MISUSE OF DOCUMENTATION

- The information presented in this product sheet (or catalog) is for reference only. DO NOT USE this document as product installation information.
- Complete installation, operation and maintenance information is provided in the instructions supplied with each product.

Failure to comply with these instructions could result in death or serious injury.