



Chipsmall Limited consists of a professional team with an average of over 10 year of expertise in the distribution of electronic components. Based in Hongkong, we have already established firm and mutual-benefit business relationships with customers from,Europe,America and south Asia,supplying obsolete and hard-to-find components to meet their specific needs.

With the principle of “Quality Parts,Customers Priority,Honest Operation,and Considerate Service”,our business mainly focus on the distribution of electronic components. Line cards we deal with include Microchip,ALPS,ROHM,Xilinx,Pulse,ON,Everlight and Freescale. Main products comprise IC,Modules,Potentiometer,IC Socket,Relay,Connector.Our parts cover such applications as commercial,industrial, and automotives areas.

We are looking forward to setting up business relationship with you and hope to provide you with the best service and solution. Let us make a better world for our industry!



Contact us

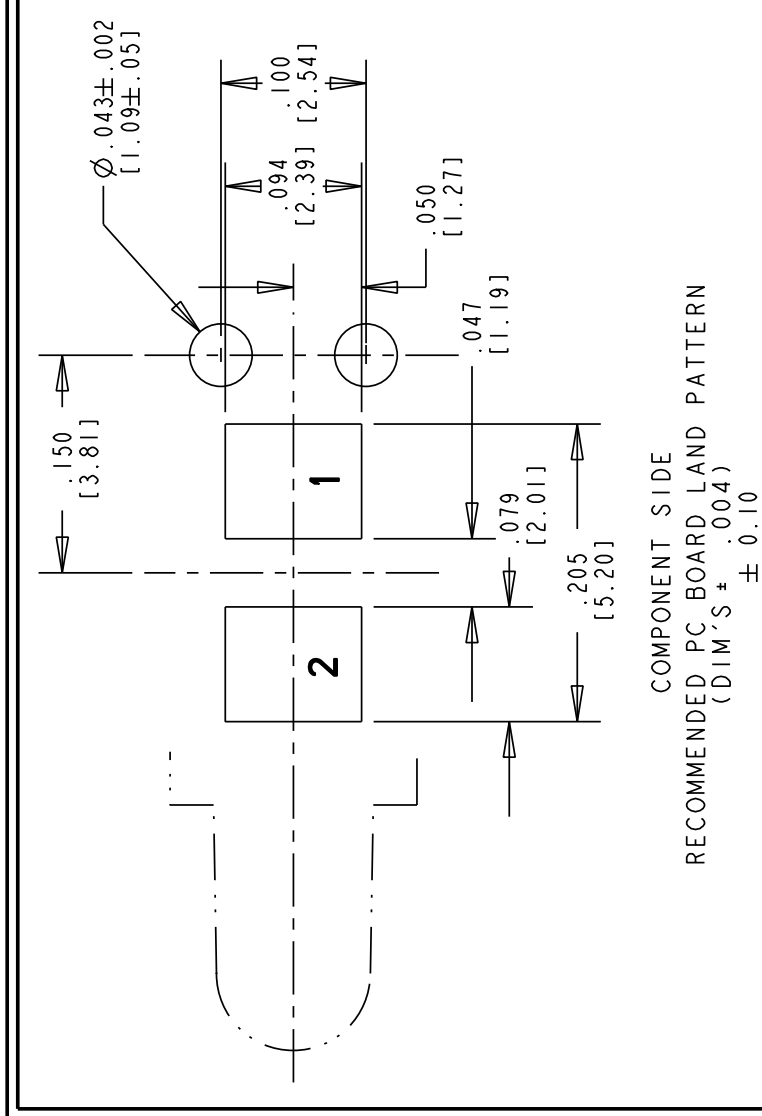
Tel: +86-755-8981 8866 Fax: +86-755-8427 6832

Email & Skype: info@chipsmall.com Web: www.chipsmall.com

Address: A1208, Overseas Decoration Building, #122 Zhenhua RD., Futian, Shenzhen, China



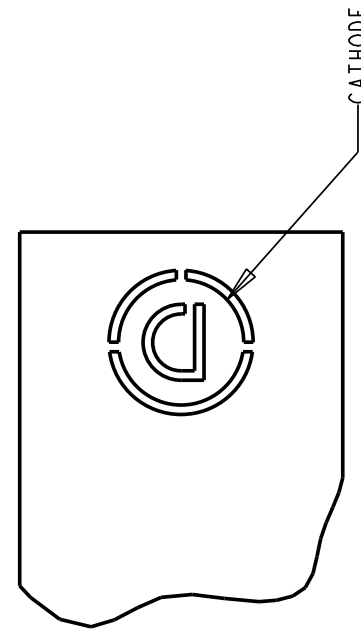
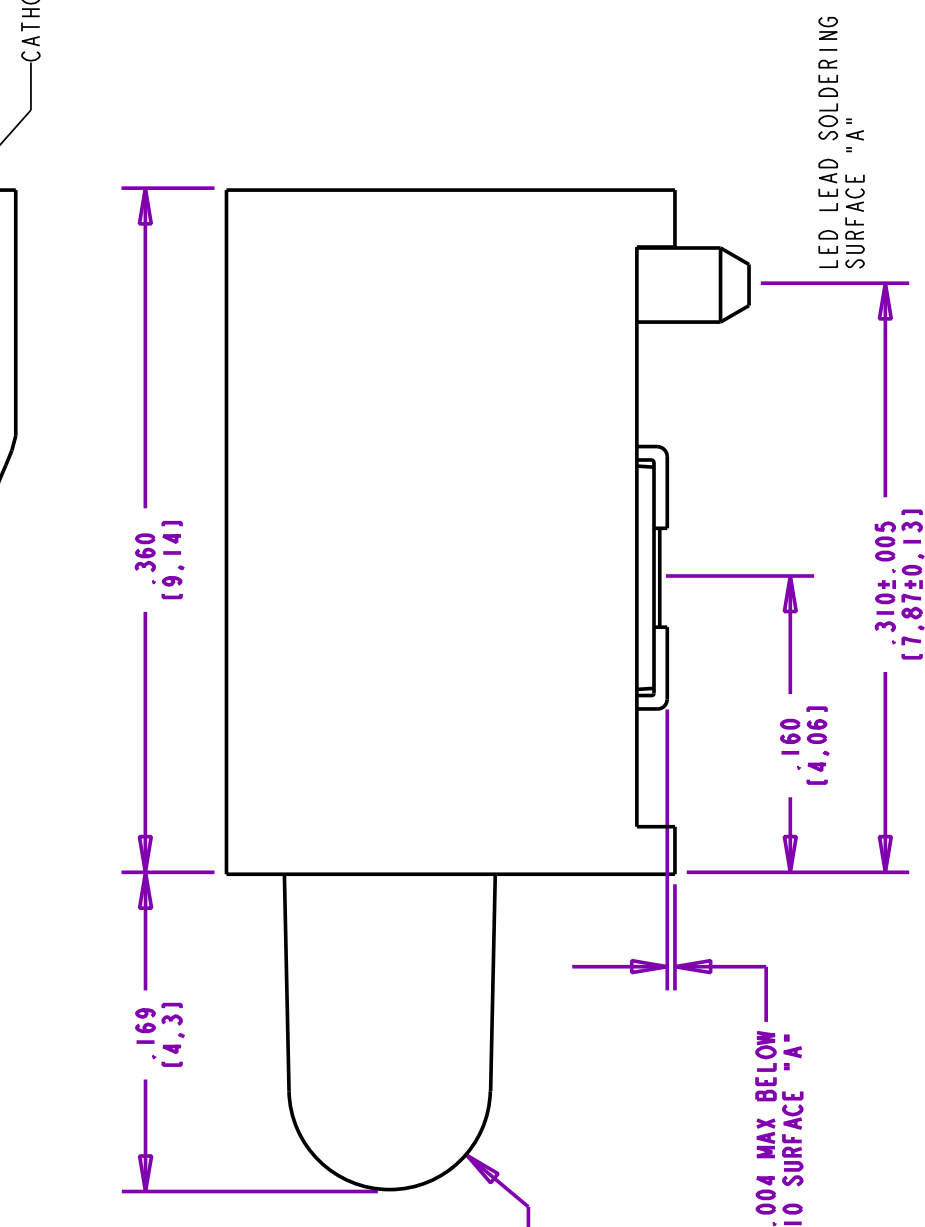
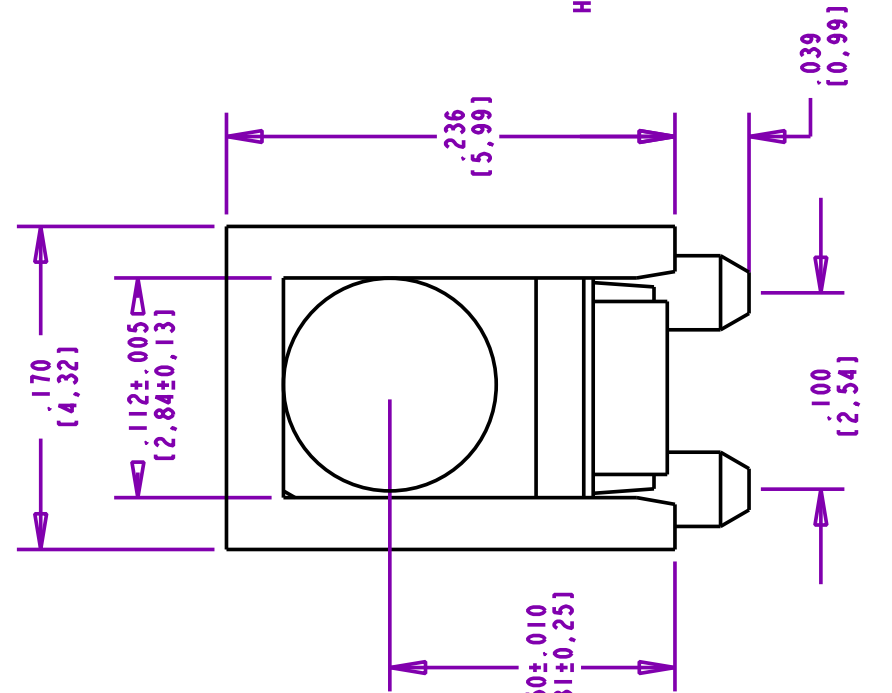
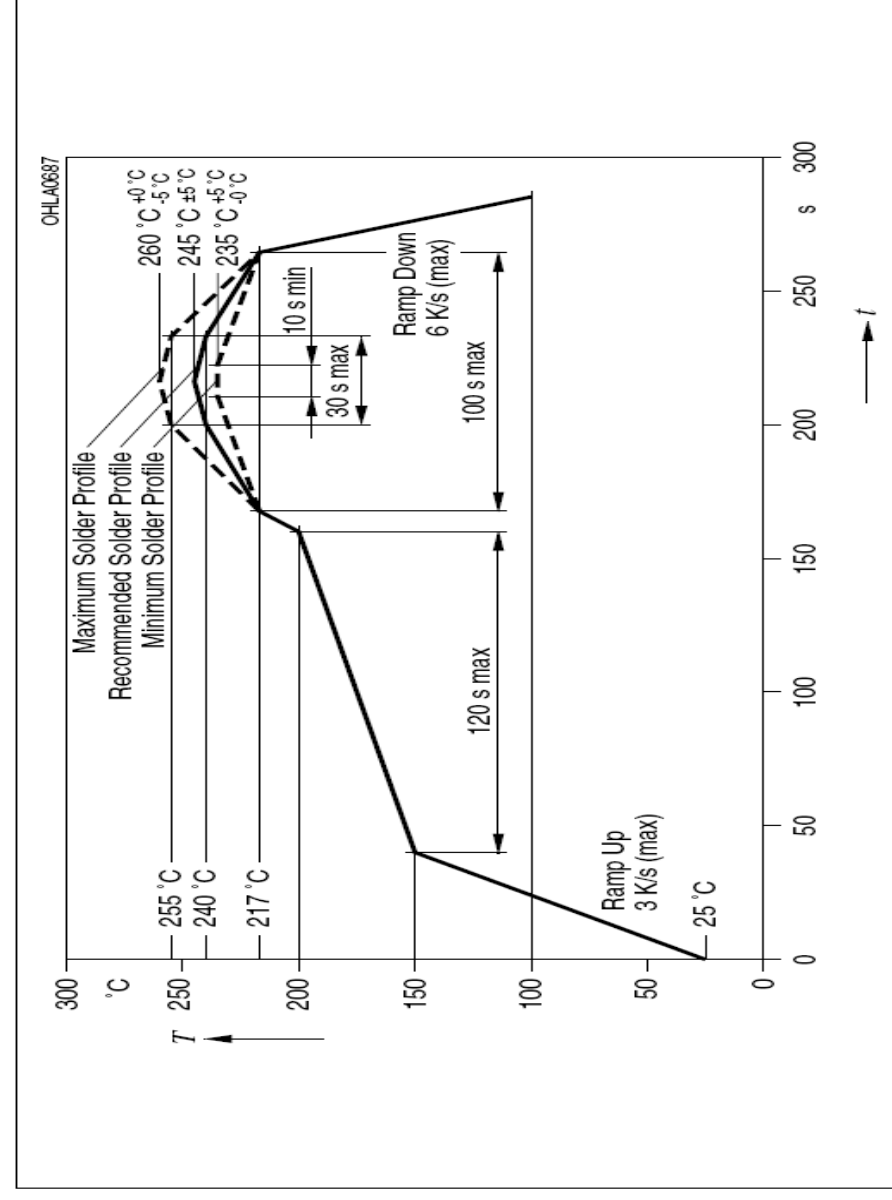
REV	ECN NO	REVISIONS	DRN	CKD	APP	DATE
A		NEW RELEASE	CE			



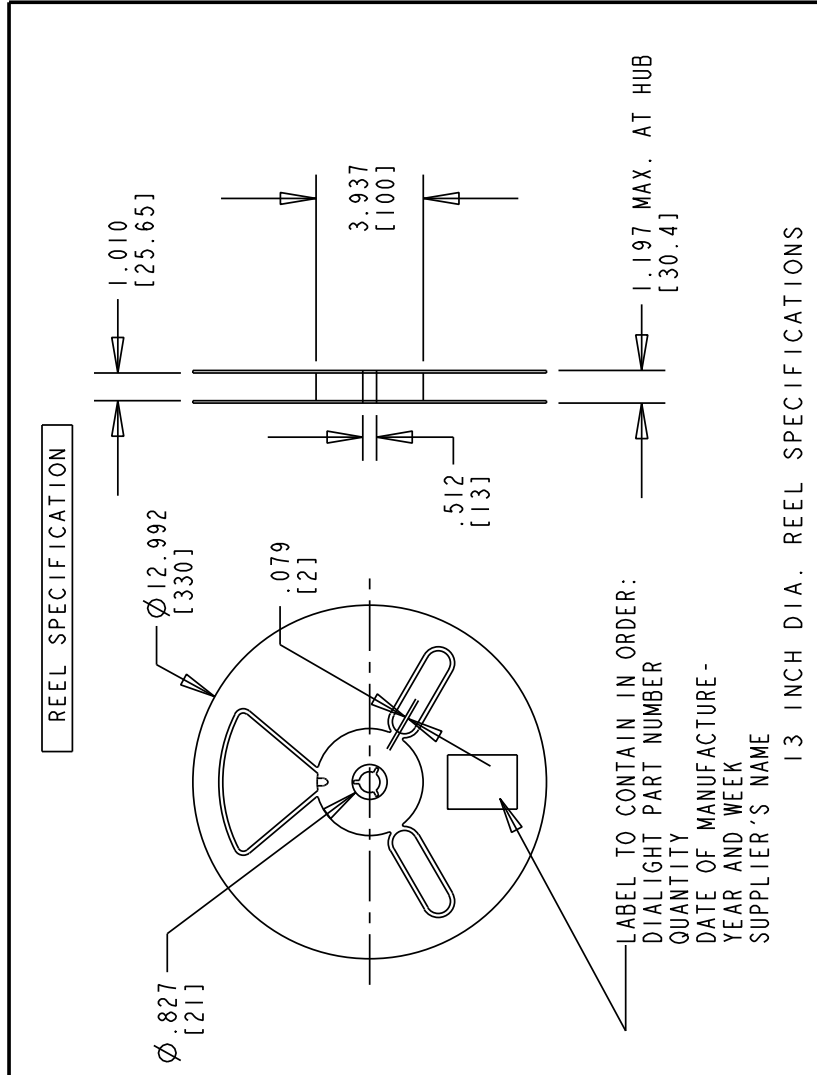
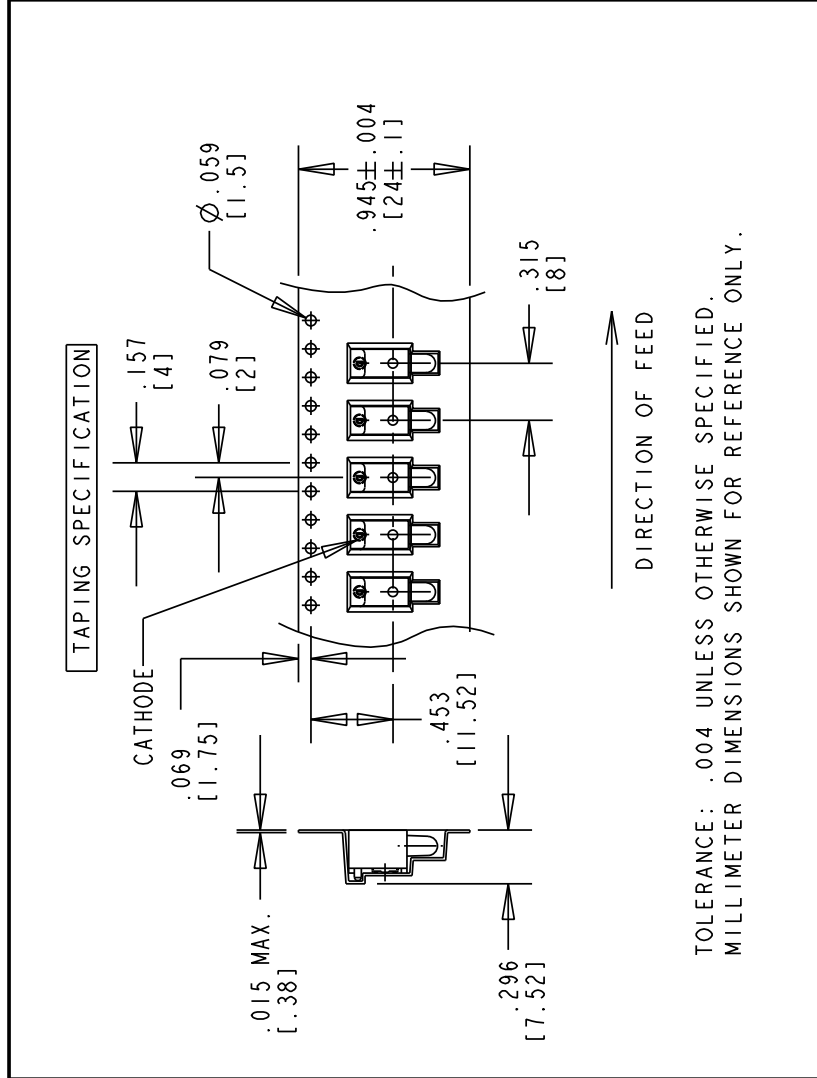
- NOTES:
1. MILLIMETER DIMENSIONS SHOWN FOR REFERENCE ONLY.
 2. PAD NUMBERS FOR REFERENCE ONLY, DESIGNATION NON-EXISTENT ON PART.
 3. STORAGE CONDITIONS FOR TAPED PRODUCT: RE-TAPING MAY BE NECESSARY FOR PRODUCT STORED MORE THAN TWELVE MONTHS.
 3. ORDER QUANTITY IS LED ASSEMBLIES, NOT REELS.
 5. LENS MOVEMENT IN RELATIONSHIP TO THE HOUSING IS:
.009" T.I.R. VERTICALLY.
.007" T.I.R. HORIZONTALLY.
 6. FRONT AND REAR TERMINALS OF ASSEMBLY TO BE WITHIN .005 COPLANARITY.
 7. LED LEAD FRAME MATERIAL:
CORE MATERIAL = COPPER (Cu)
FINISH: MATT TIN (Sn) 8.0 ± 2.0 μ metres.
UNDER PLATING: NICKEL (Ni) 0.5-1.0 μ metres.
 8. PACKAGED ON .24mm CARRIER TAPE (8mm PITCH) ON 13" REEL.
1200 PARTS PER REEL, TAPE & REEL AS PER EIA STD. SPEC EIA-481 REV A.
 9. DEVICE HAS A MOISTURE SENSITIVITY LEVEL OF 2
 10. DIALIGHT PART NUMBERS = 591-2201-202F & 591-2201-213F

LED SPECIFICATIONS		ABSOLUTE MAXIMUM RATINGS AT 25°C AMBIENT		UNITS	
OPERATING CHARACTERISTICS AT 25°C AMBIENT	MIN	MAX	UNITS	TEST CONDITIONS	
LUMINOUS INTENSITY	9	1	mc/d	I _r = 10 mA	
FORWARD VOLTAGE	2.0	2.5	V	I _r = 10 mA	
REVERSE VOLTAGE	12		V	I _r = 10 μA	
PEAK WAVELENGTH	572		nm	I _r = 10 mA	
VIEWING ANGLE (2 θ _{1/2})	120		deg.	I _r = 10 mA	
DOMINANT WAVELENGTH	564	570	576	nm	I _r = 10 mA

ABSOLUTE MAXIMUM RATINGS AT 25°C AMBIENT		UNITS
POWER DISSIPATION	95	mW
DERATE LINEARLY FROM 60°C	0.25	mA/°C
CONTINUOUS FORWARD CURRENT	30	mA
PEAK REVERSE VOLTAGE	12	V
SOLDERING/STORAGE TEMPERATURE	-40 TO +100	°C
SURGE CURRENT I _{SM}	10 μs, D = .005	A



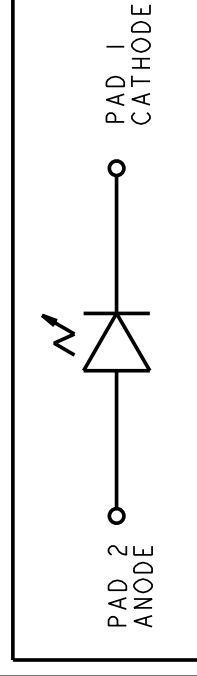
SOLDERING PROFILE



RoHS Compliant 591-2X01-2XXF
Part Numbers with the "F" suffix ending are RoHS Compliant.
Example: 591-2201-202F
Packaging is marked with "RoHS Compliant" label or equivalent markings.
Parts can be reflow soldered per RoHS reflow profile.
Parts can be wave soldered or hand soldered using typical lead-free soldering process with max 260°C temp. for 10 sec.



ATTENTION:
OBSERVE PRECAUTIONS FOR
HANDLING ELECTROSTATIC
SENSITIVE DEVICES



ALL DIM'S IN: INCHES (MM)	SCALE: 10:000	DRAWING NUMBER	REV
TOLERANCES: UNLESS OTHERWISE SPECIFIED		C-17505	A
FRACTIONS: ±1/64			
DECIMALS (.XXX): ±.01			
DECIMALS (.XXXX): ±.005			
ANGLES: ±1°			
FINISH:			
TITLE		3 mm PRISM CBI	
MATERIAL		RoHS COMPLIANT	
FSCM	83330		
SHEET	1	OF	1
FAMILY TABLES:			
Dialight 1501 ROUTE 34 SOUTH FARMINGDALE, NJ 07127			

THIS DRAWING AND THE CONTENTS HEREIN ARE CONFIDENTIAL AND THE SOLE PROPERTY OF DIALIGHT. REPRODUCTION OF THIS DRAWING OR CONSTRUCTION OF ANY PARTS WITHIN THIS DRAWING ARE FORBIDDEN WITHOUT THE WRITTEN CONSENT OF DIALIGHT.