



Chipsmall Limited consists of a professional team with an average of over 10 year of expertise in the distribution of electronic components. Based in Hongkong, we have already established firm and mutual-benefit business relationships with customers from,Europe,America and south Asia,supplying obsolete and hard-to-find components to meet their specific needs.

With the principle of “Quality Parts,Customers Priority,Honest Operation,and Considerate Service”,our business mainly focus on the distribution of electronic components. Line cards we deal with include Microchip,ALPS,ROHM,Xilinx,Pulse,ON,Everlight and Freescale. Main products comprise IC,Modules,Potentiometer,IC Socket,Relay,Connector.Our parts cover such applications as commercial,industrial, and automotives areas.

We are looking forward to setting up business relationship with you and hope to provide you with the best service and solution. Let us make a better world for our industry!



Contact us

Tel: +86-755-8981 8866 Fax: +86-755-8427 6832

Email & Skype: info@chipsmall.com Web: www.chipsmall.com

Address: A1208, Overseas Decoration Building, #122 Zhenhua RD., Futian, Shenzhen, China



REV.	ECN NO.	REVISIONS	DRN.	CKD.	APP.	DATE
A		NEW RELEASE	YIS			

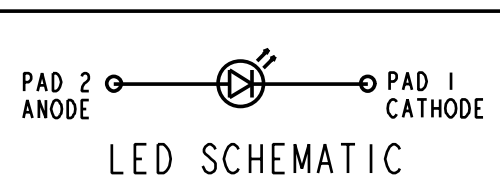
- NOTES :
- 1- MILLIMETER DIMENSIONS SHOWN FOR REFERENCE ONLY
 - 2- PAD NUMBERS ARE FOR REFERENCE ONLY , DESIGNATION NON-EXISTENT ON PART
 - 3- STORAGE CONDITIONS FOR TAPED PRODUCT: RE-TAPING MAY BE NECESSARY FOR PRODUCTS STORED MORE THAN TWELVE MONTHS
 - 4- ORDER QUANTITY IS LED ASSEMBLIES , NOT REELS
 - 5- ...-002 SUFFIX MEANS PARTS ARE PACKED ON A 20 pc SAMPLE STRIP
...-007 SUFFIX MEANS PARTS ARE PACKED ON A 7 INCH REEL , 400 pcs/REEL
...-013 SUFFIX MEANS PARTS ARE PACKED ON A 13 INCH REEL , 1600 pcs/REEL
 - 6- LENS MOVEMENT IN RELATIONSHIP TO THE HOUSING IS:
.009" T.I.R. VERTICALLY
.007" T.I.R. HORIZONTALLY
 - 7- FRONT AND REAR TERMINALS OF THE ASSEMBLY TO BE WITHIN .005 COPLANARITY
 - 8- LED LEAD FRAME MATERIAL:
CORE MATERIAL = COPPER
1st PLATING = Ag-100% , THICKNESS ABOUT 90 MICRO-INCH
2nd PLATING = 90% Sn - 10% Pb , THICKNESS RANGE 200 to 800 MICRO-INCH
 - 9- PLACE MOISTURE SENSITIVITY LEVEL "2" LABEL TO OUTSIDE BAG OF ALL 591-2XX1-007 AND 591-2XX1-013, LABEL P/N 9100-117-0579-99.
 - 10- ATTENTION = OBSERVE PRECAUTIONS FOR HANDLING ELECTROSTATIC SENSITIVE DEVICES.
 - 11- DIALIGHT PART NUMBERS =
591-2801-002 591-2801-007 591-2801-013

OPERATING CHARACTERISTICS AT 25 °C AMBIENT

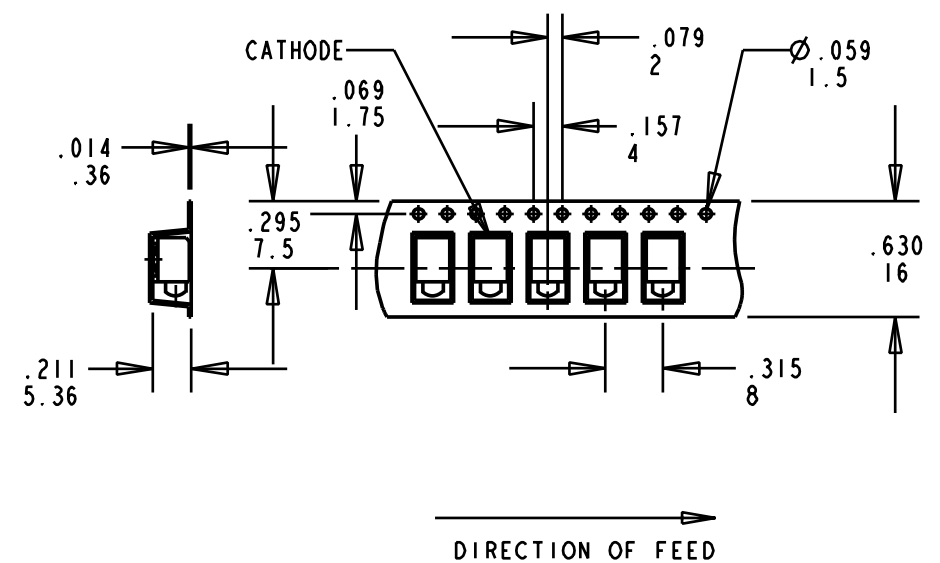
LED CHARACTERISTICS	MIN.	TYP.	MAX.	UNITS	TEST CONDITIONS
LUMINOUS INTENSITY		19.23		mcd	I _F = 10 mA
FORWARD VOLTAGE		3.5	4.2	V	I _F = 20 mA
REVERSE CURRENT		.01	10	μA	V _R = 5 V
COLOR COORDINATES	X	.29	.32		I _F = 20 mA
	Y	.22	.31	.42	

ABSOLUTE MAXIMUM RATINGS AT 25 °C AMBIENT

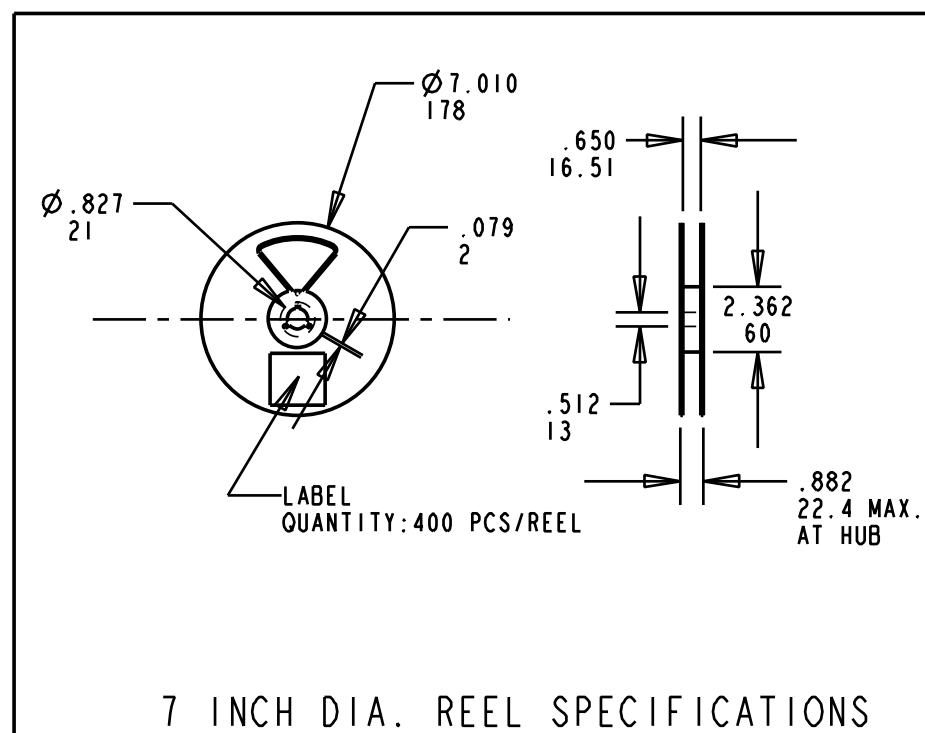
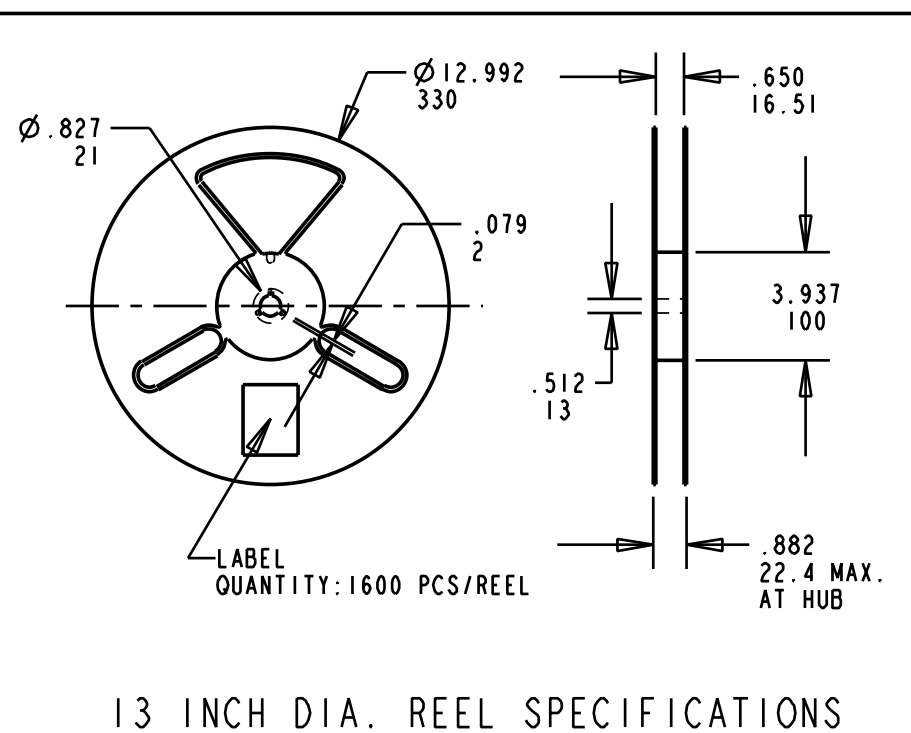
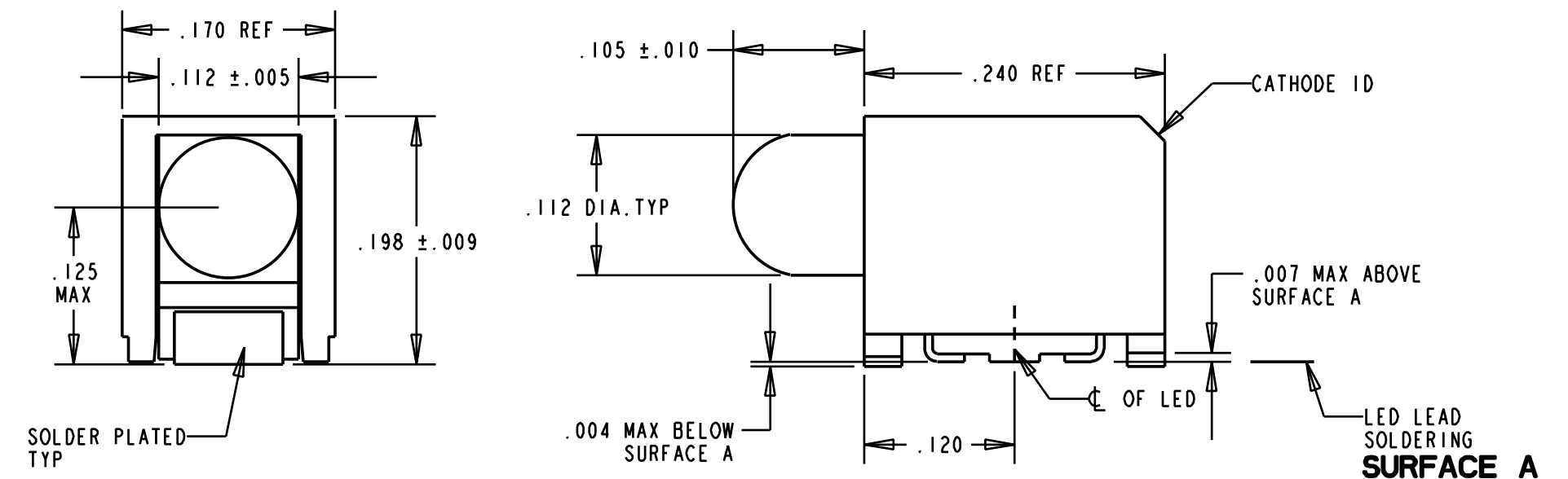
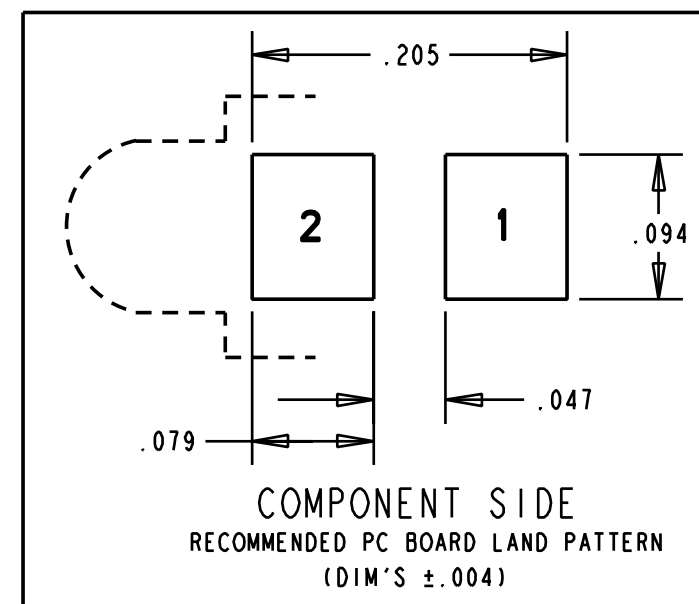
POWER DISSIPATION	85 mW
CONTINUOUS FORWARD CURRENT	20 mA
DERATE LINEARLY FROM 75 °C	.6 mA/°C
PEAK REVERSE VOLTAGE	5V
SOLDERING PROFILE: IR - 235 °C PEAK. - 15 SEC., 185 °C - 90 SEC MAX.	
OPERATING TEMPERATURE	-40 °C TO +100 °C
STORAGE TEMPERATURE	-40 °C TO +100 °C



TAPING SPECIFICATION



TOLERANCE: .004 UNLESS OTHERWISE SPECIFIED
MILLIMETER DIMENSIONS SHOWN FOR REFERENCE ONLY



THIS DRAWING AND THE CONTENTS HEREIN ARE CONFIDENTIAL AND THE SOLE PROPERTY OF DIALIGHT. REPRODUCTION OF THIS DRAWING OR CONSTRUCTION OF ANY PARTS WITHIN THIS DRAWING ARE FORBIDDEN WITHOUT THE WRITTEN CONSENT OF DIALIGHT.		
SCALE: DRAWING SCALE	DRAWING NUMBER	REV
ALL DIM'S IN: INCHES (MM)	C-16901	A
TOLERANCES: UNLESS OTHERWISE SPECIFIED	TITLE SURFACE MOUNT CBI - ROUND LENS	
FRACTIONS: ±1/64	MATERIAL	
DECIMALS (.XX): ±.01	FINISH:	
DECIMALS (.XXX): ±.005	Dialight	
DECIMALS (.XXXX): ±.0005	1501 ROUTE 34 SOUTH FARMINGDALE, NJ 07727	
ANGLES: ±1°	FSCM 83330	SHEET OF FAMILY TABLES: