



Chipsmall Limited consists of a professional team with an average of over 10 year of expertise in the distribution of electronic components. Based in Hongkong, we have already established firm and mutual-benefit business relationships with customers from,Europe,America and south Asia,supplying obsolete and hard-to-find components to meet their specific needs.

With the principle of “Quality Parts,Customers Priority,Honest Operation,and Considerate Service”,our business mainly focus on the distribution of electronic components. Line cards we deal with include Microchip,ALPS,ROHM,Xilinx,Pulse,ON,Everlight and Freescale. Main products comprise IC,Modules,Potentiometer,IC Socket,Relay,Connector.Our parts cover such applications as commercial,industrial, and automotives areas.

We are looking forward to setting up business relationship with you and hope to provide you with the best service and solution. Let us make a better world for our industry!



Contact us

Tel: +86-755-8981 8866 Fax: +86-755-8427 6832

Email & Skype: info@chipsmall.com Web: www.chipsmall.com

Address: A1208, Overseas Decoration Building, #122 Zhenhua RD., Futian, Shenzhen, China

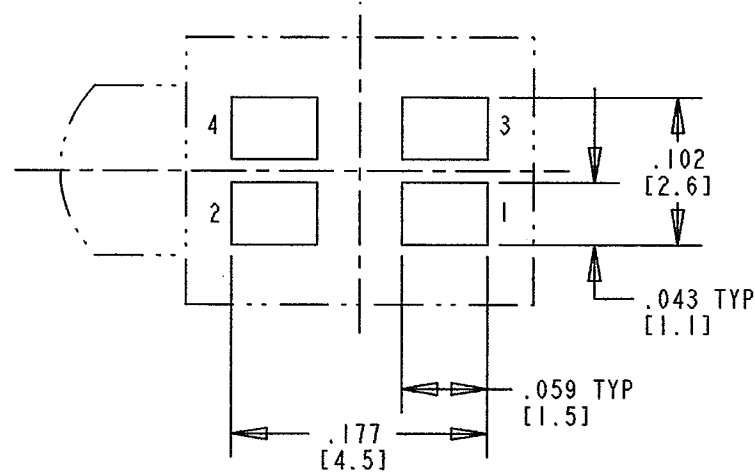


BI-COLOR OPERATING CHARACTERISTICS AT T _a = 25 °C AMBIENT																		
DIALIGHT P/N	COLOR	I _f (mA)	FORWARD VOLTAGE (V)		LUMINOUS INTENSITY (mcd)		REVERSE CURRENT (μA)		PEAK WAVELENGTH (nm)		DOMINANT WAVELENGTH (nm)		REVISIONS					
			TYP.	MAX.	MIN.	TYP.	MAX.	TYP.	MAX.	TYP.	MIN.	TYP.	MAX.	REV.	ECN.	DRN.	DATE	
591-3101-102SF	YELLOW GREEN	10	2.0	2.5	4.5	11.3	18.0	.01	10	586	572	584	590	596	A	---	SM	6-05-07
591-3101-107SF	YELLOW GREEN	10	2.0	2.5	4.5	11.3	18.0	.01	10	586	572	584	590	596	A	---	SM	6-05-07
591-3101-113SF	YELLOW GREEN	10	2.0	2.5	4.5	11.3	18.0	.01	10	586	572	584	590	596	A	---	SM	6-05-07

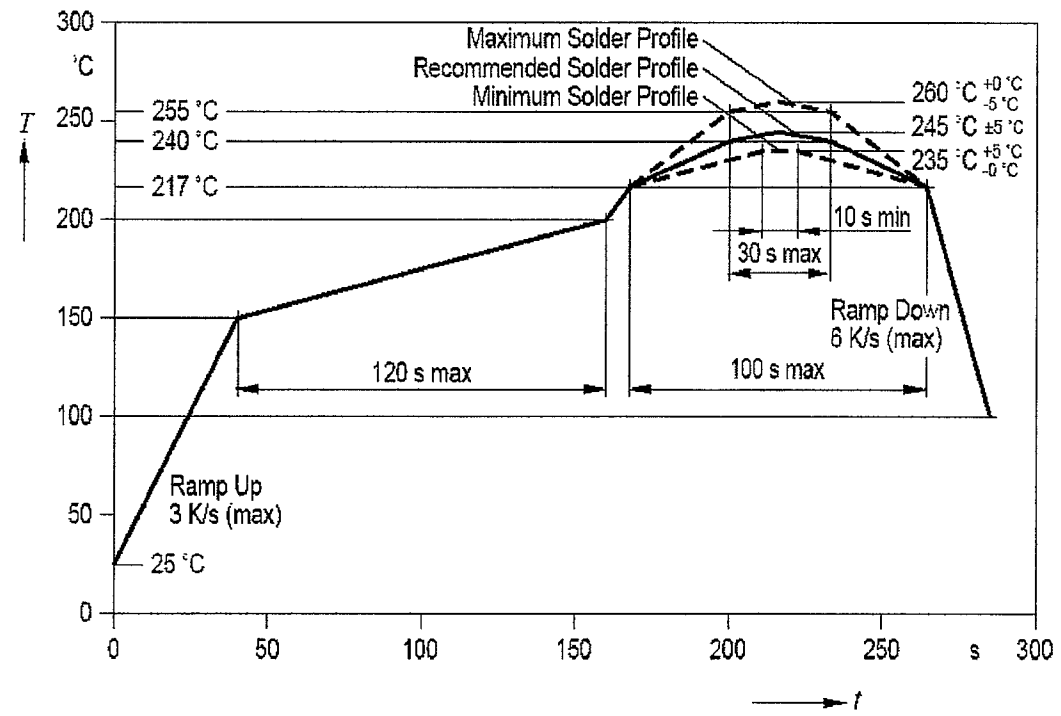
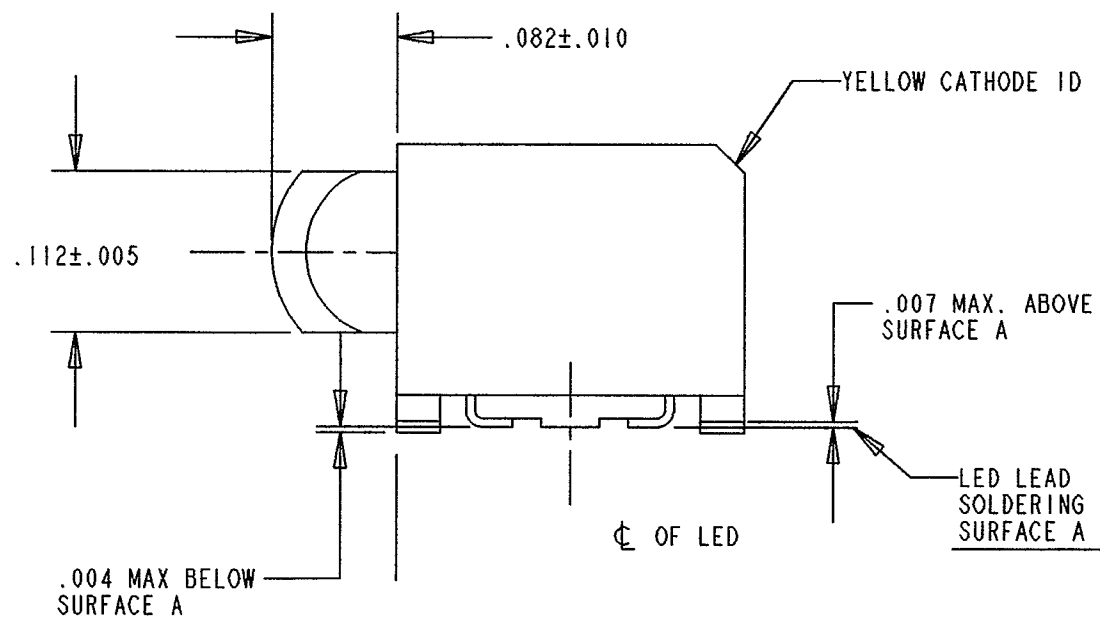
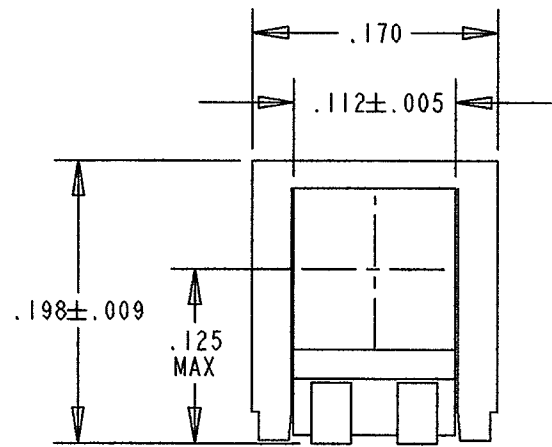
ABSOLUTE MAXIMUM RATING AT 25°C AMBIENT	591-3101-1XXSF			UNITS
	102SF YELLOW GREEN	107SF YELLOW GREEN	113SF YELLOW GREEN	
POWER CONSUMPTION	95			mW
CONTINUOUS FORWARD CURRENT	30			mA
REVERSE VOLTAGE	5			V
OPERATING TEMPERATURE	-40 TO +100			°C
STORAGE TEMPERATURE				



ATTENTION:
OBSERVE PRECAUTIONS FOR
HANDLING ELECTROSTATIC
SENSITIVE DEVICES



COMPONENT SIDE
RECOMMENDED PC BOARD LAND PATTERN
(DIM'S ± .004)



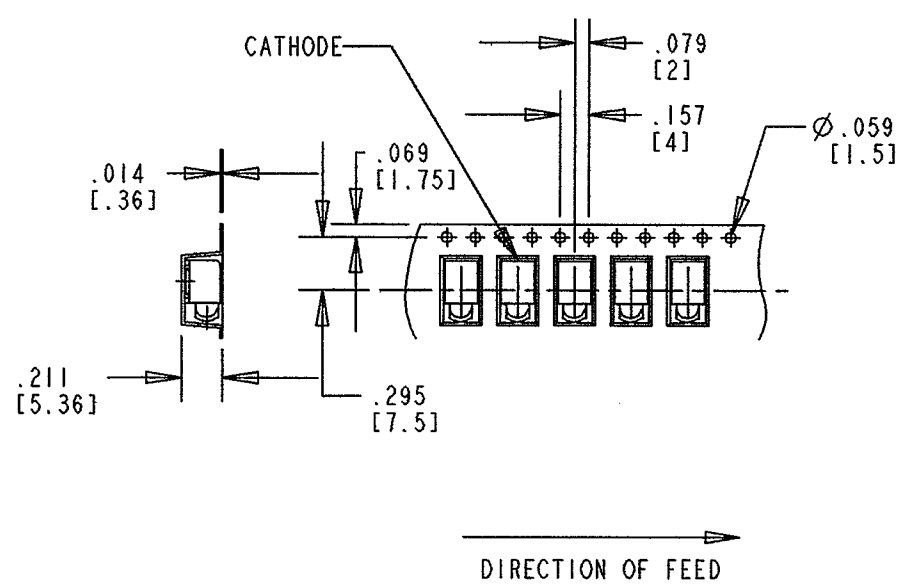
REFLOW PROFILE FOR RoHS COMPLIANT PART

NOTES:

- MILLIMETER DIMENSIONS SHOWN FOR REFERENCE ONLY.
- PAD NUMBERS FOR REFERENCE ONLY. DESIGNATION NON-EXISTENT ON PART.
- STORAGE CONDITIONS FOR TAPED PRODUCT: RE-TAPING MAY BE NECESSARY FOR PRODUCT STORED MORE THAN TWELVE MONTHS.
- LEADS: TIN (Sn) OVER NICKEL (Ni) ON COPPER ALLOY (Cu)
- ORDER QUANTITY IS LED ASSEMBLIES. NOT REELS.
- 102SF SUFFIX MEANS PARTS ARE PACKED ON A 20 PCS SAMPLE STRIP.
-107SF SUFFIX MEANS PARTS ARE PACKED ON 7 INCH REEL, 400 PCS/REEL.
-113SF SUFFIX MEANS PARTS ARE PACKED ON A 13 INCH REEL, 1600 PCS/REEL.
- LENS MOVEMENT IN RELATIONSHIP TO THE HOUSING IS:
.009" T.I.R. VERTICALLY.
.007" T.I.R. HORIZONTALLY.
- FRONT AND REAR TERMINALS OF ASSEMBLY TO BE WITHIN .005 COPLANARITY.
- DIALIGHT PART NUMBER: 591-3101-102SF, 591-3101-107SF, 591-3101-113SF.
- DEVICE HAS A MOISTURE SENSITIVITY LEVEL "2" CAUTION LABEL APPLIED AS PER JEDEC STD. 033.
- THIS ASSEMBLY CONTAINS ELECTROSTATIC DISCHARGE SENSITIVE DEVICES (ESDS). MAINTAIN ALL PRECAUTIONARY MEASURES DURING ASSEMBLY, HANDLING AND STORAGE IN ACCORDANCE WITH IPC-A-610.

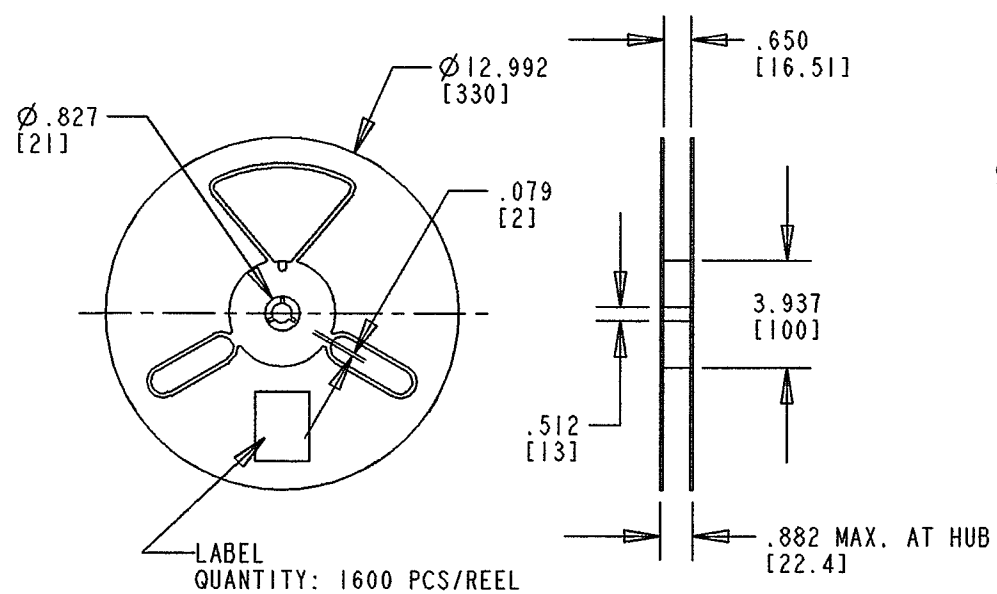
RoHS Compliant 591-3101-1XXSF Surface Mount LED
Part Numbers with the "F" suffix ending are RoHS Compliant.
Example: 591-3101-102SF
Packaging is marked with "RoHS Compliant" label or equivalent markings.
Parts can be reflow soldered per RoHS reflow profile, wave soldered, dip soldered or hand soldered using typical lead-free soldering process with max 260°C temp. for 10-20 sec.

TAPING SPECIFICATION

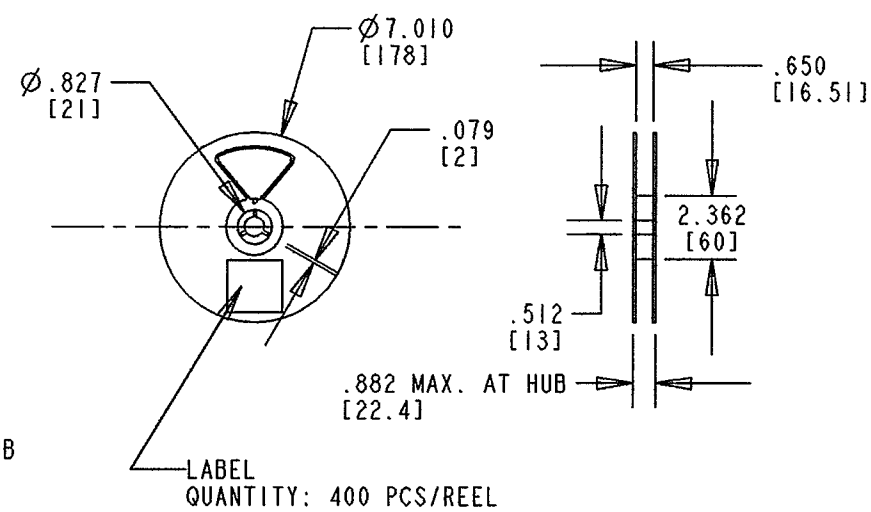


TOLERANCE: .004 UNLESS OTHERWISE SPECIFIED.
MILLIMETER DIMENSIONS SHOWN FOR REFERENCE ONLY.

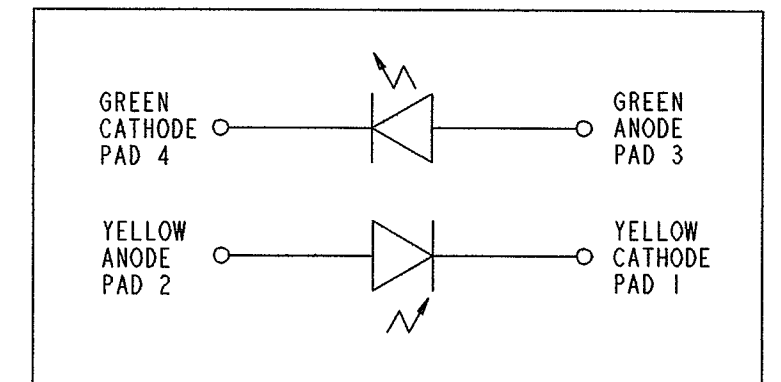
REEL SPECIFICATION



13 INCH DIA. REEL SPECIFICATIONS



7 INCH DIA. REEL SPECIFICATIONS



THIS DRAWING AND THE CONTENTS HEREIN ARE CONFIDENTIAL AND THE SOLE PROPERTY OF DIALIGHT. REPRODUCTION OF THIS DRAWING OR CONSTRUCTION OF ANY PARTS WITHIN THIS DRAWING ARE FORBIDDEN WITHOUT THE WRITTEN CONSENT OF DIALIGHT.		
SCALE: DRAWING SCALE ALL DIM'S IN: INCHES (MM)	DRAWING NUMBER C-17497	REV A
TOLERANCES: UNLESS OTHERWISE SPECIFIED FRACTIONS: ±1/64 DECIMALS (.XX): ±.01 DECIMALS (.XXX): ±.005 DECIMALS (.XXXX): ±.0005 ANGLES: ±1°	TITLE 3mm PRISM SURFACE MOUNT CBI RoHS COMPLIANT - SILICONE LENS	MATERIAL
FINISH:	Dialight 1501 ROUTE 34 SOUTH FARMINGDALE, NJ 07727	
FSCM 83330	SHEET 1 OF 1 FAMILY TABLE:	