



Chipsmall Limited consists of a professional team with an average of over 10 year of expertise in the distribution of electronic components. Based in Hongkong, we have already established firm and mutual-benefit business relationships with customers from,Europe,America and south Asia,supplying obsolete and hard-to-find components to meet their specific needs.

With the principle of “Quality Parts,Customers Priority,Honest Operation,and Considerate Service”,our business mainly focus on the distribution of electronic components. Line cards we deal with include Microchip,ALPS,ROHM,Xilinx,Pulse,ON,Everlight and Freescale. Main products comprise IC,Modules,Potentiometer,IC Socket,Relay,Connector.Our parts cover such applications as commercial,industrial, and automotives areas.

We are looking forward to setting up business relationship with you and hope to provide you with the best service and solution. Let us make a better world for our industry!



## Contact us

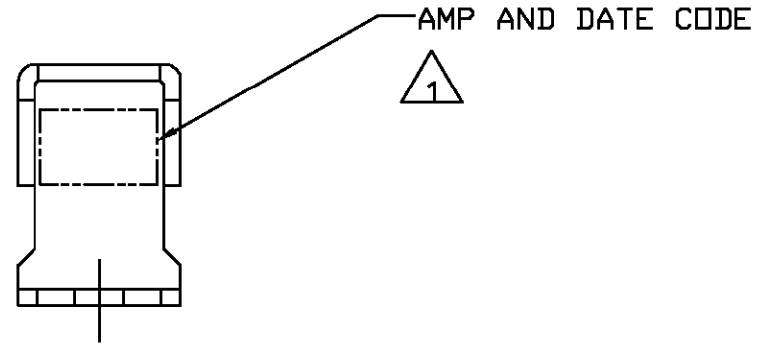
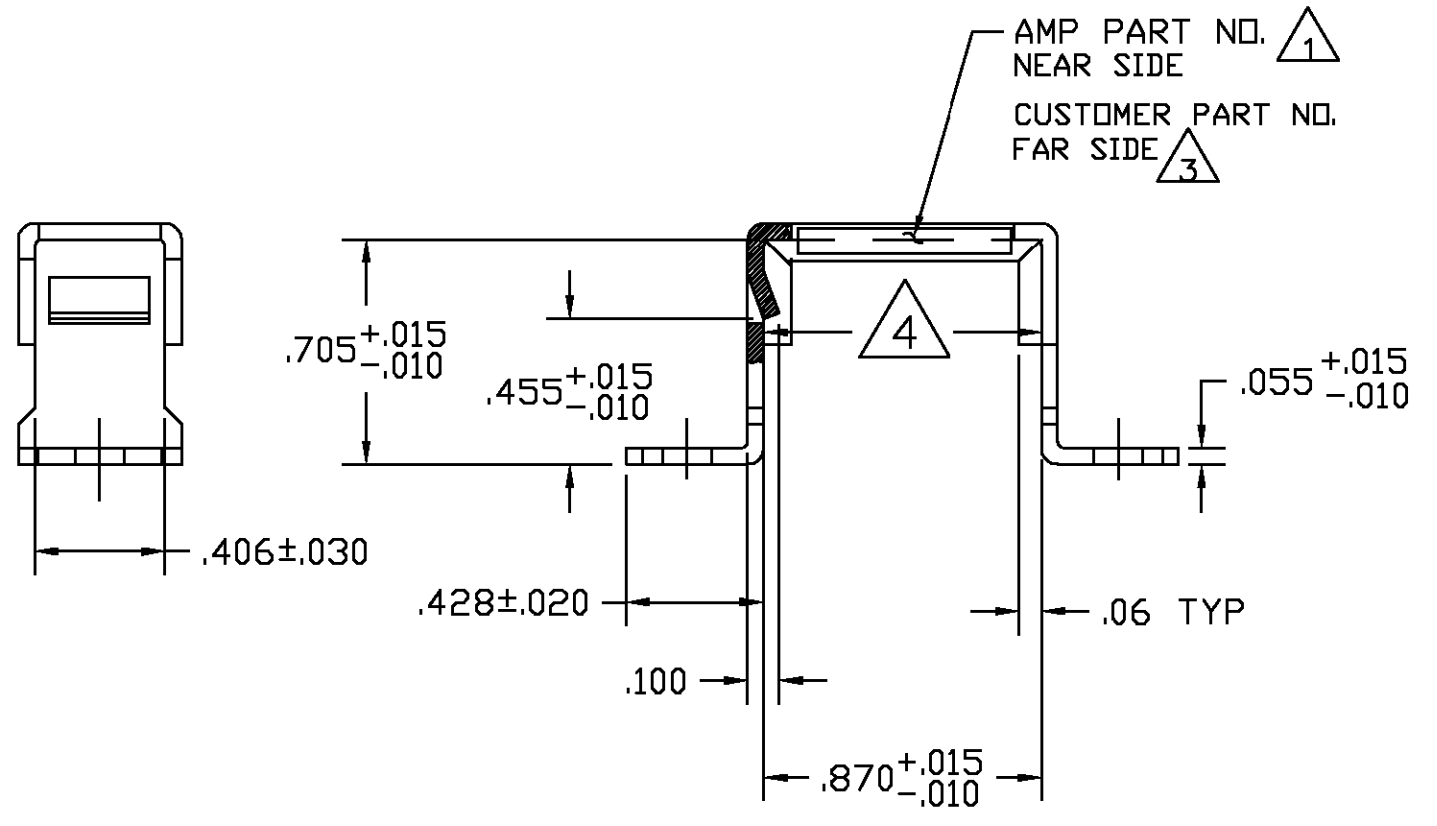
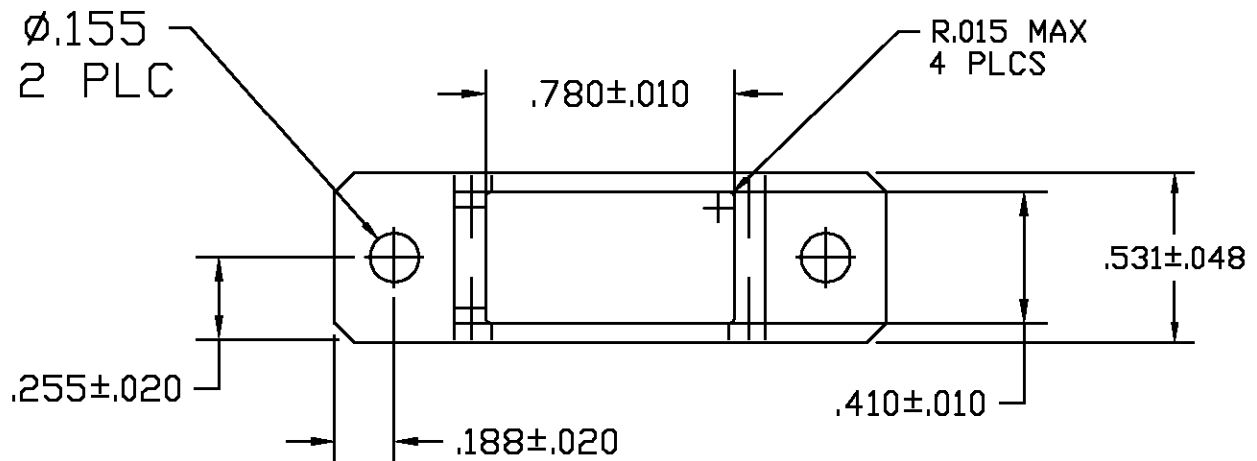
Tel: +86-755-8981 8866 Fax: +86-755-8427 6832

Email & Skype: info@chipsmall.com Web: www.chipsmall.com

Address: A1208, Overseas Decoration Building, #122 Zhenhua RD., Futian, Shenzhen, China



LOC	DIST	REVISIONS			
P	LTR	DESCRIPTION	DATE	DWN	APVD
DF	AO	B	REV & REDRAWN;OG3D-0167-00	4-00	CT DM



ELECTROLESS NICKEL PER QQ-N-290	ALUMINUM ALLOY 6061-T4	-----	591637-9
BLACK ANODIZED PER MIL-A-8625 TYPE II, CLASS 2	ALUMINUM ALLOY 6061-T4	8400-041-0020	591637-5
BLACK ANODIZED PER MIL-A-8625 TYPE II, CLASS 2	ALUMINUM ALLOY 6061-T4	53711-5190993	591637-4
BLACK ANODIZED PER MIL-A-8625 TYPE II, CLASS 2	ALUMINUM ALLOY 6061-T4	19207-12301876	591637-3
BLACK ANODIZED PER MIL-A-8625 TYPE II, CLASS 2	ALUMINUM ALLOY 6061-T4	19207-12283284	591637-2
BLACK ANODIZED PER MIL-A-8625 TYPE II, CLASS 2	ALUMINUM ALLOY 6061-T4	-----	591637-1
FINISH	MATERIAL	CUSTOMER NO. (3)	PART NUMBER

- 1 "AMP", AMP PART NO. AND DATE CODE MARKED WITH .060 MINIMUM HIGH CHARACTERS AT APPROXIMATE AREA SHOWN.
- 2. THIS FRAME ASSEMBLY ACCOMMODATES SIZE 22, 20 AND 16 FEED-BACK MODULE FOR SINGLE MODULE MOUNTING.
- 3 CUSTOMER PART NO. MARKED ( IF REQUIRED ) WITH .060 MINIMUM HIGH CHARACTERS AT APPROXIMATE AREA SHOWN.
- 4 MEASUREMENT POINT OF .870+.015/-0.010 DIMENSION.

THIS DRAWING IS A CONTROLLED DOCUMENT.

DIMENSIONS: INCHES	TOLERANCES UNLESS OTHERWISE SPECIFIED:	DWN: C.C.THOMAS 4-25-00	AMP Incorporated Harrisburg, PA 17105-3608
	0 PLC ±	CHK: D.MILLER 4-25-00	<b>AMP</b>
	1 PLC ±	APVD: D.MILLER 4-25-00	
	2 PLC ±.01	PRODUCT SPEC: -	SIZE: A2
	3 PLC ±.005	APPLICATION SPEC: -	CAGE CODE: 00779
	4 PLC ±	WEIGHT: -	DRAWING NO: 591637
MATERIAL: SEE TABLE	FINISH: SEE TABLE	CUSTOMER DRAWING	RESTRICTED TO: -
		SCALE: 2:1	SHEET: 1 OF 1
			REV: B