



Chipsmall Limited consists of a professional team with an average of over 10 year of expertise in the distribution of electronic components. Based in Hongkong, we have already established firm and mutual-benefit business relationships with customers from,Europe,America and south Asia,supplying obsolete and hard-to-find components to meet their specific needs.

With the principle of “Quality Parts,Customers Priority,Honest Operation,and Considerate Service”,our business mainly focus on the distribution of electronic components. Line cards we deal with include Microchip,ALPS,ROHM,Xilinx,Pulse,ON,Everlight and Freescale. Main products comprise IC,Modules,Potentiometer,IC Socket,Relay,Connector.Our parts cover such applications as commercial,industrial, and automotives areas.

We are looking forward to setting up business relationship with you and hope to provide you with the best service and solution. Let us make a better world for our industry!



Contact us

Tel: +86-755-8981 8866 Fax: +86-755-8427 6832

Email & Skype: info@chipsmall.com Web: www.chipsmall.com

Address: A1208, Overseas Decoration Building, #122 Zhenhua RD., Futian, Shenzhen, China



4

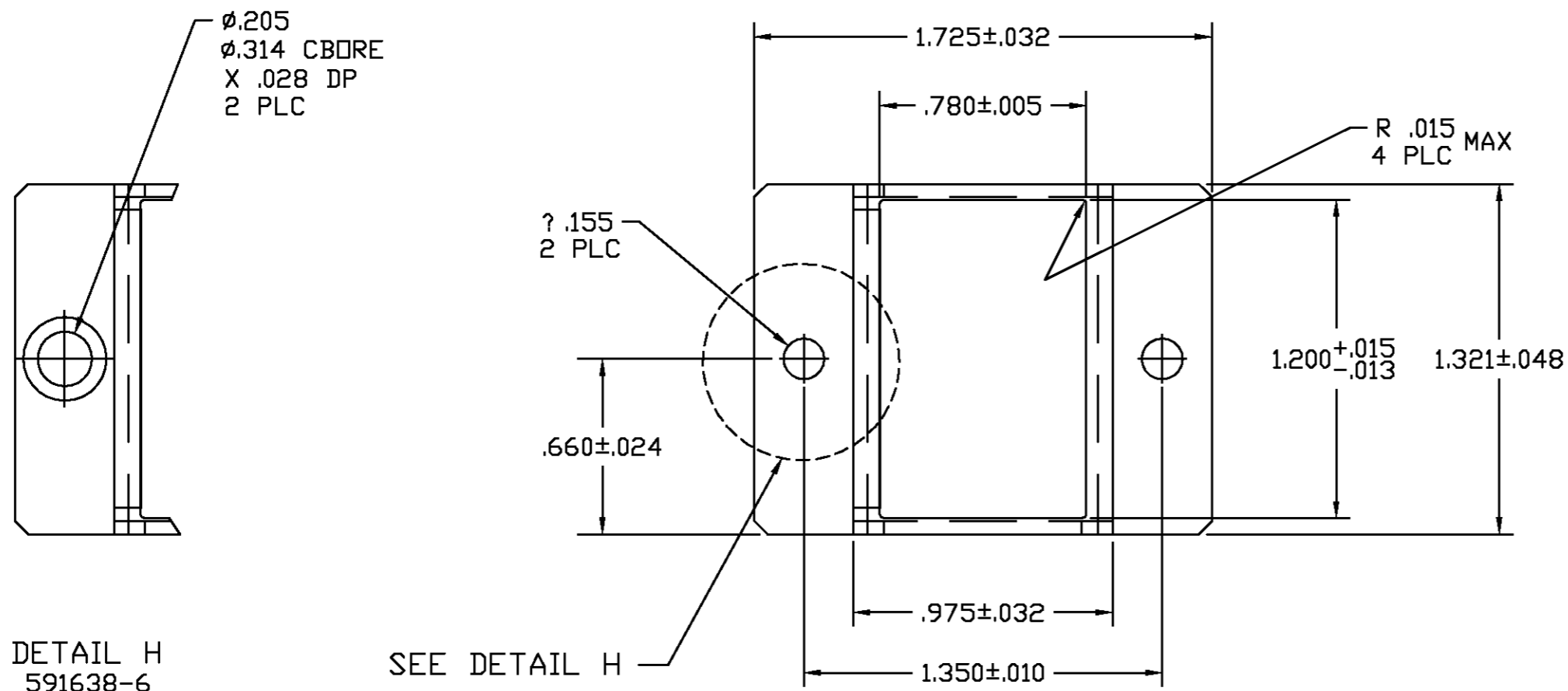
3

2

1

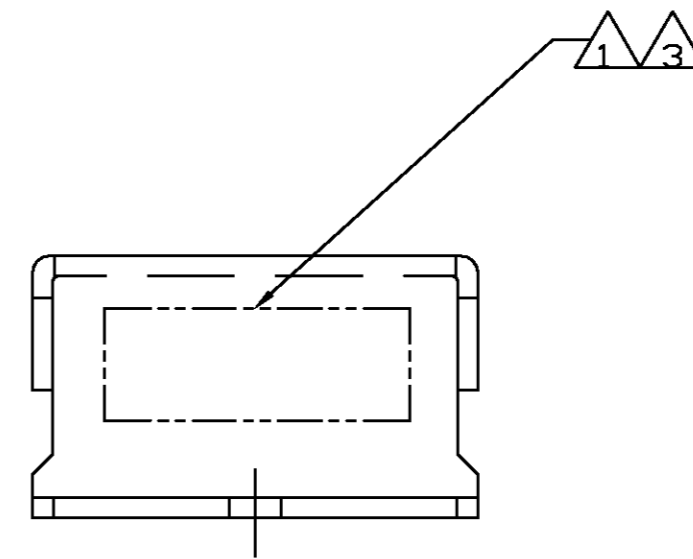
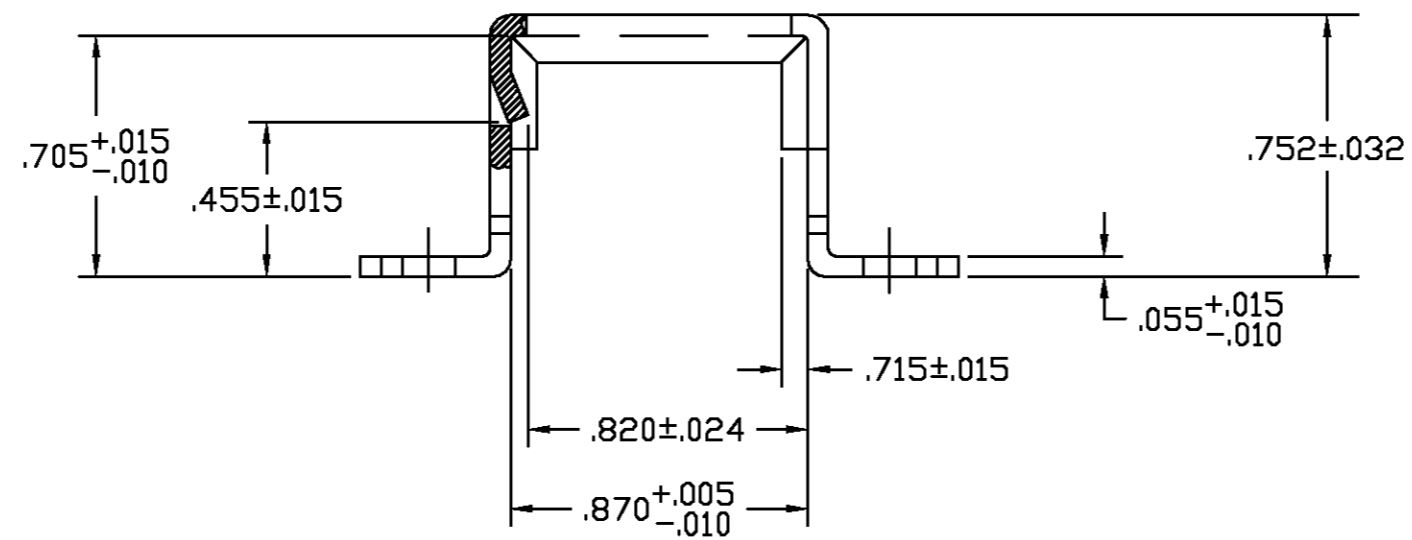
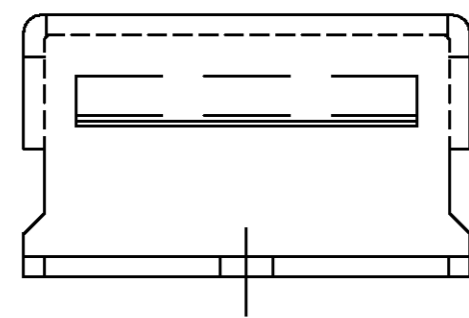
THIS DRAWING IS UNPUBLISHED. RELEASED FOR PUBLICATION .19
 © COPYRIGHT 19 BY AMP INCORPORATED, ALL RIGHTS RESERVED.

LOC		DIST		REVISIONS			
P	LTR	DATE	DNW	APVD			
C		6-99	CT	DM	REV PER 0600-8021-98		



DETAIL H
591638-6

SEE DETAIL H



- 1 MARK "AMP", AMP PART NO. AND DATE CODE .060 MINIMUM HIGH CHARACTERS AT APPROXIMATE AREA SHOWN.
- 2. THIS FRAME ASSEMBLY ACCOMMODATES SINGLE SIZE 12 FEED-BACK MODULE OR THREE MODULES OF SIZES 16, 20 AND 22.
- 3 MARK CUSTOMER PART NO. IF REQUIRED .060 MINIMUM HIGH CHARACTERS AT APPROXIMATE AREA SHOWN.

DESCRIPTION	FINISH	CUSTOMER NO.	PART NO.
MTG. HOLES PER DETAIL H	ELECTROLESS NICKEL PER QQ-N-290		591638-6
	BLACK ANODIZED PER MIL-A-8625 TYPE II, CLASS 2	8400-052-0000	591638-5
	BLACK ANODIZED PER MIL-A-8625 TYPE II, CLASS 2	G383962-2	591638-4
	BLACK ANODIZED PER MIL-A-8625 TYPE II, CLASS 2		591638-1

THIS DRAWING IS A CONTROLLED DOCUMENT

DI MENSIONS: INCHES	TOLERANCES UNLESS OTHERWISE SPECIFIED:	APVD: D. MILLER 6-17-99	NAME: BRACKET, GROUNDING MODULE, TJ
0 PLC ± -	1 PLC ± -	APVD: D. MILLER 6-17-99	SIZE: A2
2 PLC ± .01	3 PLC ± .005	APVD: D. MILLER 6-17-99	CAGE CODE: 00779
4 PLC ± -	ANGLES ± -	FINISH	DRAWING NO: C=591638
MATERIAL	FINISH	WEIGHT	RESTRICTED TO
			SCALE: 2:1 SHEET 1 OF 1 REV C

CUSTOMER DRAWING

591638
B