



Chipsmall Limited consists of a professional team with an average of over 10 year of expertise in the distribution of electronic components. Based in Hongkong, we have already established firm and mutual-benefit business relationships with customers from,Europe,America and south Asia,supplying obsolete and hard-to-find components to meet their specific needs.

With the principle of “Quality Parts,Customers Priority,Honest Operation,and Considerate Service”,our business mainly focus on the distribution of electronic components. Line cards we deal with include Microchip,ALPS,ROHM,Xilinx,Pulse,ON,Everlight and Freescale. Main products comprise IC,Modules,Potentiometer,IC Socket,Relay,Connector.Our parts cover such applications as commercial,industrial, and automotives areas.

We are looking forward to setting up business relationship with you and hope to provide you with the best service and solution. Let us make a better world for our industry!



## Contact us

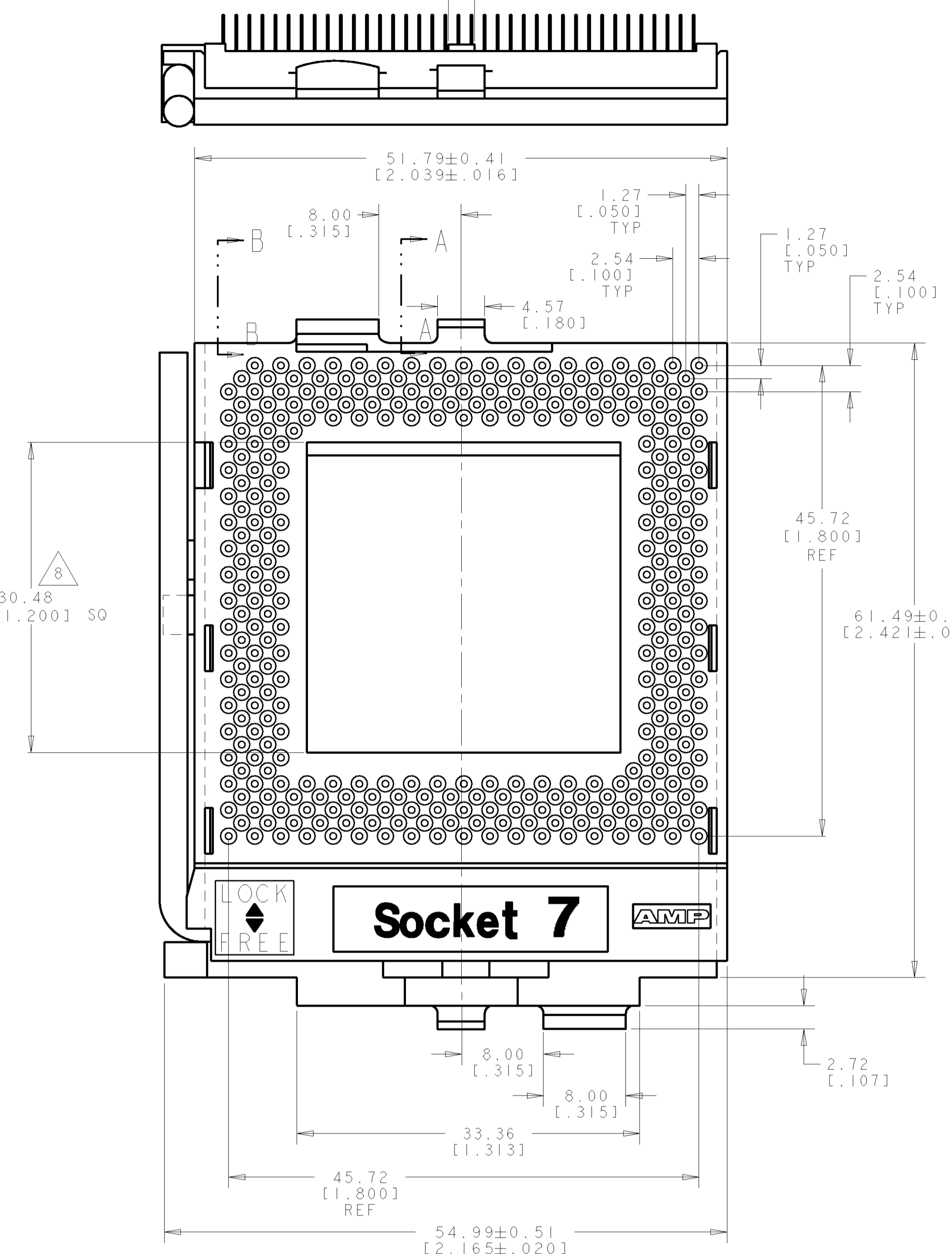
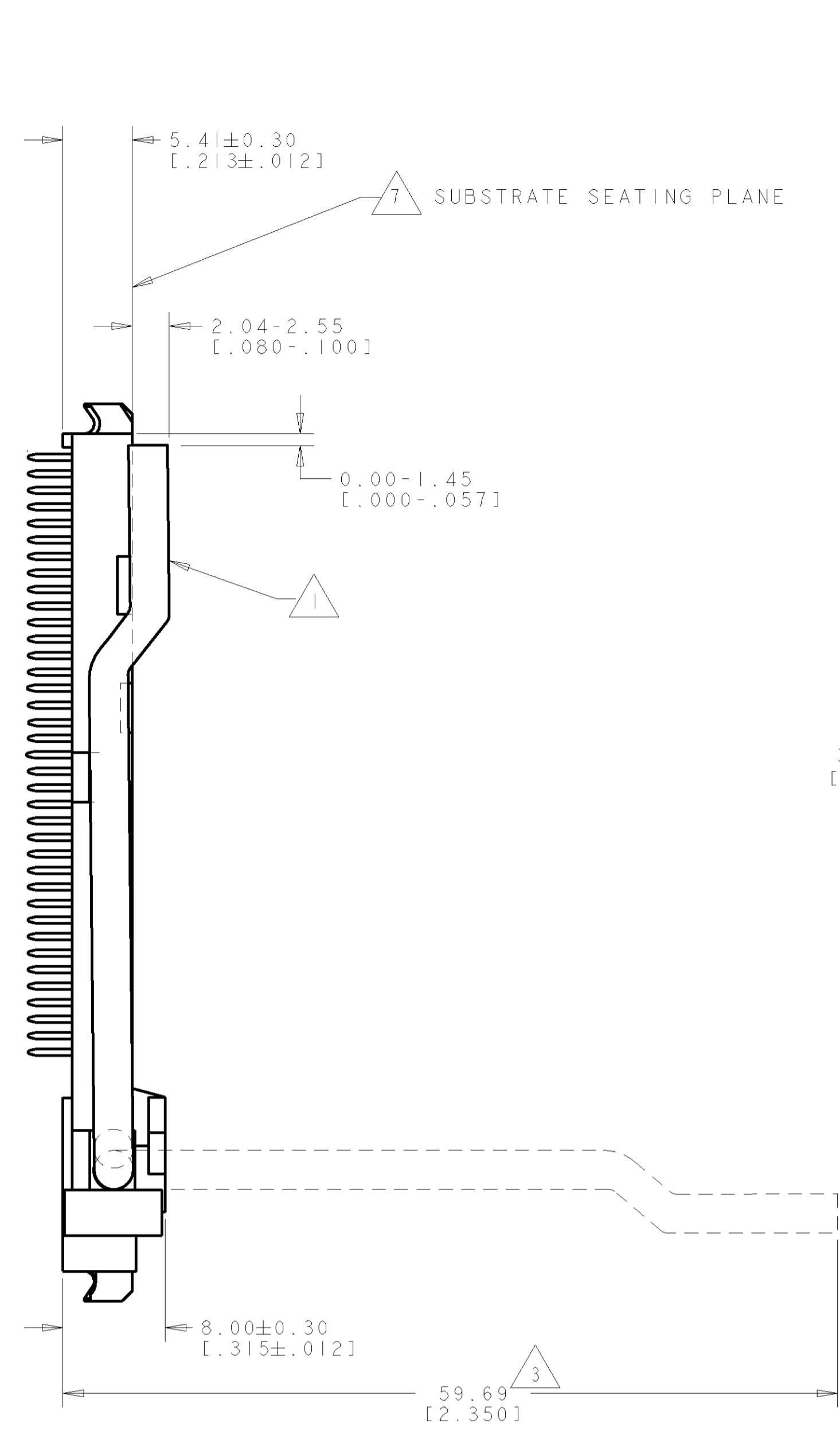
Tel: +86-755-8981 8866 Fax: +86-755-8427 6832

Email & Skype: info@chipsmall.com Web: www.chipsmall.com

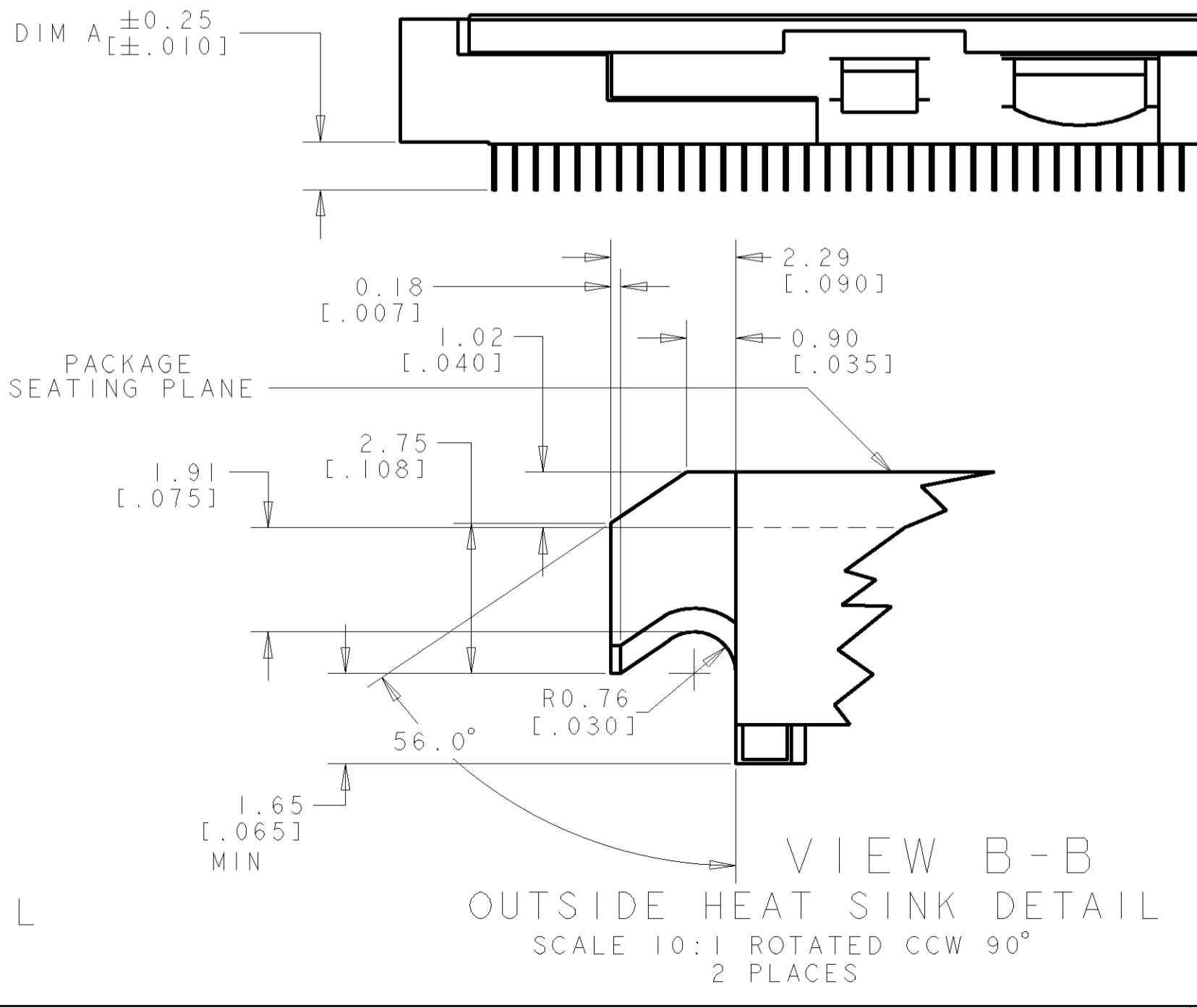
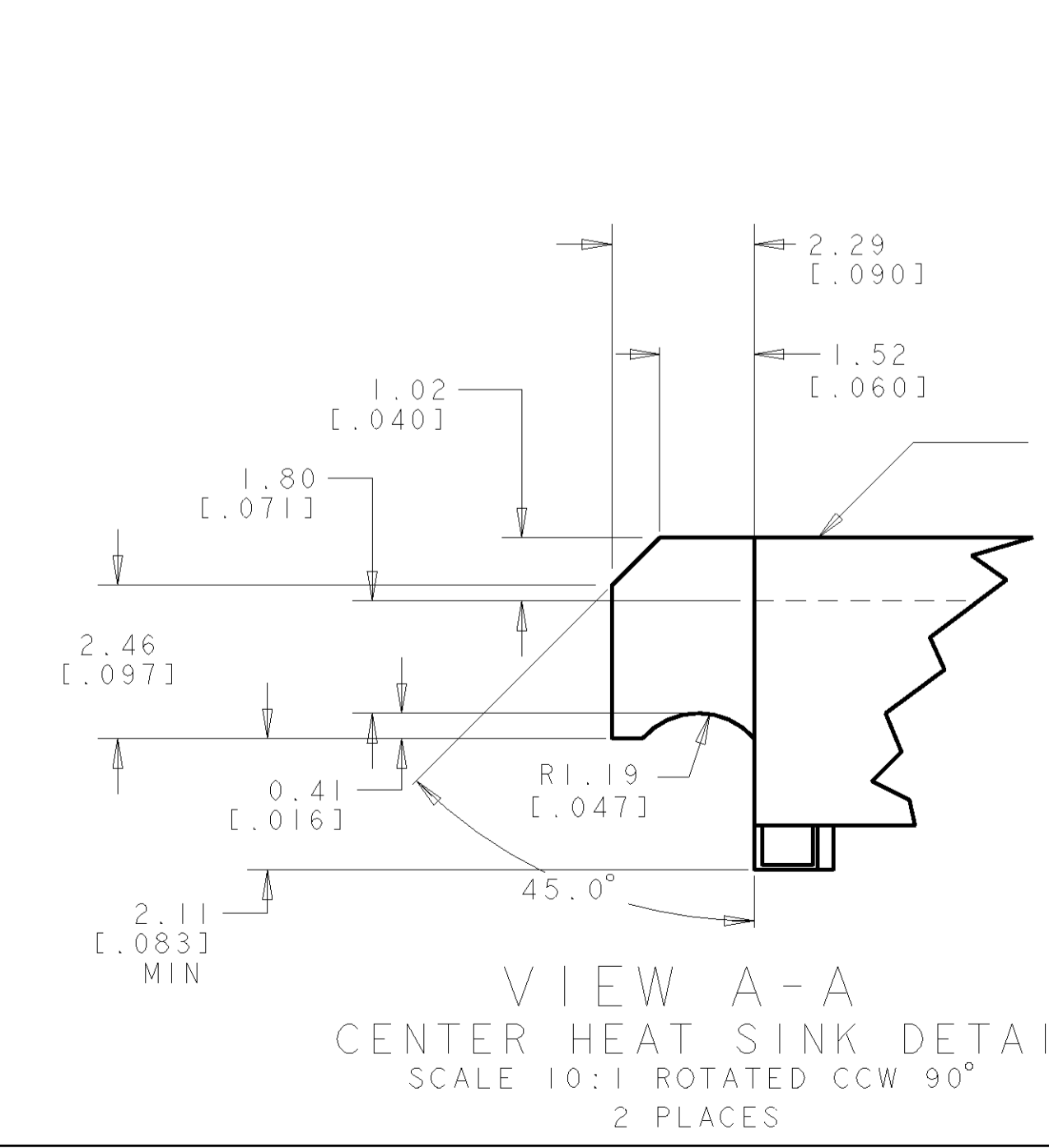
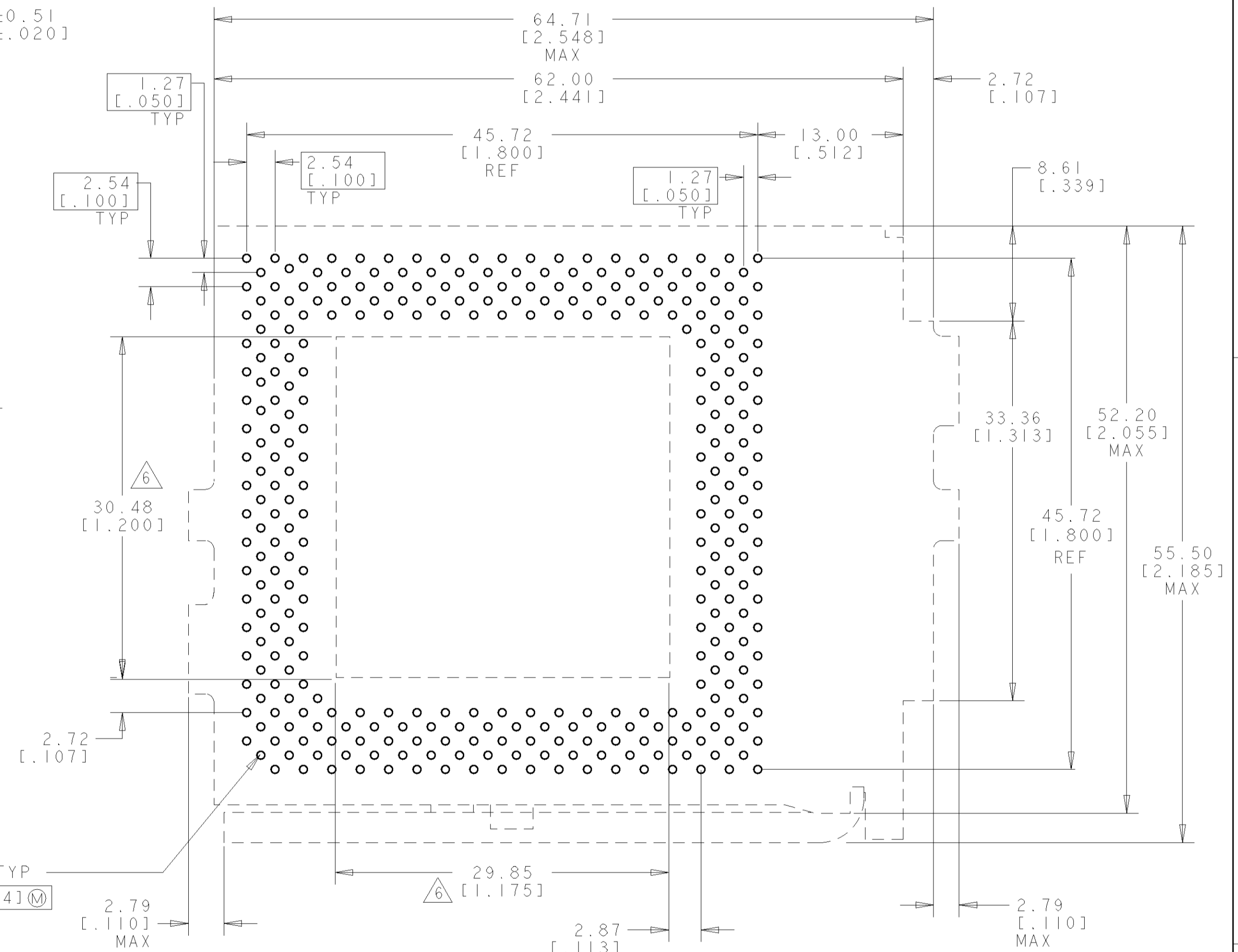
Address: A1208, Overseas Decoration Building, #122 Zhenhua RD., Futian, Shenzhen, China



LOC		DIST		REVISIONS				
7	LTN	DATE	DNW	APRD	DESCRIPTION	DATE	DNW	APRD
0		17DEC04	LWY	VT	NPR FP00-0327-04			



- 1 HANDLE IS SHOWN IN THE 'ON' POSITION
- 2 SOCKET WILL ACCEPT ANY P.G.A. PACKAGE WITH A PIN  $\varnothing 0.46 \pm .05$  [ $\varnothing 0.018 \pm .002$ ] AND A LENGTH OF 2.54-3.30 [.100-.130] LOCATED ON TRUE POSITION OF 0.20 [.008]  $\text{\textcircled{M}}$
- 3 MAX DIMENSION INCLUDING HANDLE
- 4 MATERIAL; HOUSING AND COVER ARE THERMOPLASTIC. COLOR-NATURAL. CONTACTS ARE COPPER ALLOY. ACTUATOR IS STAINLESS STEEL.
- 5 FINISH; CONTACT AREA-0.00076 [.000030] MIN. THICK GOLD OVER 0.00127 [.000050] MIN. THICK NICKEL PLATE. SOLDER TAIL-0.00381 [.000150] MIN. THICK TIN OVER 0.00127 [.000050] MIN. THICK NICKEL PLATE. CONTACT AREA SHALL BE FREE OF LUBRICANT.
- 6 DIMENSIONS INDICATE MIN. OPEN CENTER THROUGH SOCKET.
- 7 SEATING PLANE OF PGA PACKAGE IN SOCKET IS ON CERAMIC SURFACE OF PACKAGE.
- 8 DIMENSION INDICATES MIN. HOLE IN COVER OF SOCKET.



TRAY PACKAGED NUMBER OF SOCKETS PER SHIPPING BOX	DIM A	POSITION	PART NUMBER
90	2.79 [.110]	321	5916716-4
90	2.79 [.110]	321	5916716-3
90	2.36 [.093]	321	5916716-2
90	2.03 [.080]	321	5916716-1

THIS DRAWING IS UNPUBLISHED. RELEASED FOR PUBLICATION BY AMP INCORPORATED. ALL RIGHTS RESERVED.		DWG: WYLEE 17DEC2004 CHK: VINCENT TAN APD: SE LEONG PRODUCT SPEC: - APPLICATION SPEC: - WEIGHT: - CUSTOMER DRAWING: -	TycO Electronics Singapore Pte. Ltd.
DIMENSIONS: mm [INCHES] 0 PLC ± 1 PLC ± 2 PLC ± 3 PLC ± 4 PLC ± ANGLES ±	TOLERANCES UNLESS OTHERWISE SPECIFIED: ±0.30(.012) ±0.25(.010) ±0.15(.006) ±0.10(.004)	NAME: SOCKET ASSY, SINGLE LEVER ZIF, PGA, 19 X 19 GRID, LOW PROFILE, RIGHT HAND SIZE: A1 CAGE CODE: 00779 DRAWING NO: 5916716 SCALE: 3:1 SHEET: 1 of 1 REV: 0	DATE: 17DEC04 DRAWN: LWY APPROVED: VT