



Chipsmall Limited consists of a professional team with an average of over 10 year of expertise in the distribution of electronic components. Based in Hongkong, we have already established firm and mutual-benefit business relationships with customers from,Europe,America and south Asia,supplying obsolete and hard-to-find components to meet their specific needs.

With the principle of “Quality Parts,Customers Priority,Honest Operation,and Considerate Service”,our business mainly focus on the distribution of electronic components. Line cards we deal with include Microchip,ALPS,ROHM,Xilinx,Pulse,ON,Everlight and Freescale. Main products comprise IC,Modules,Potentiometer,IC Socket,Relay,Connector.Our parts cover such applications as commercial,industrial, and automotives areas.

We are looking forward to setting up business relationship with you and hope to provide you with the best service and solution. Let us make a better world for our industry!



Contact us

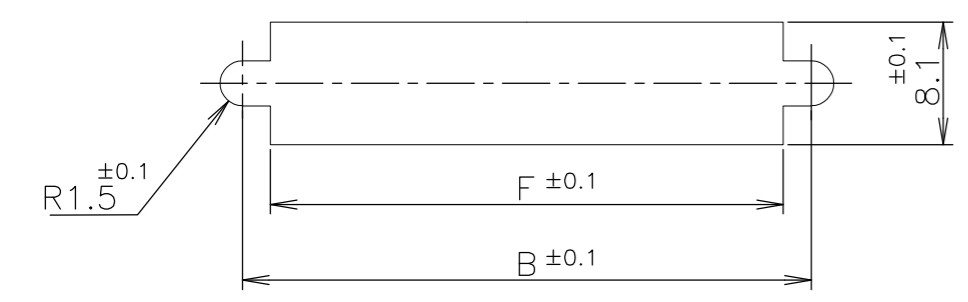
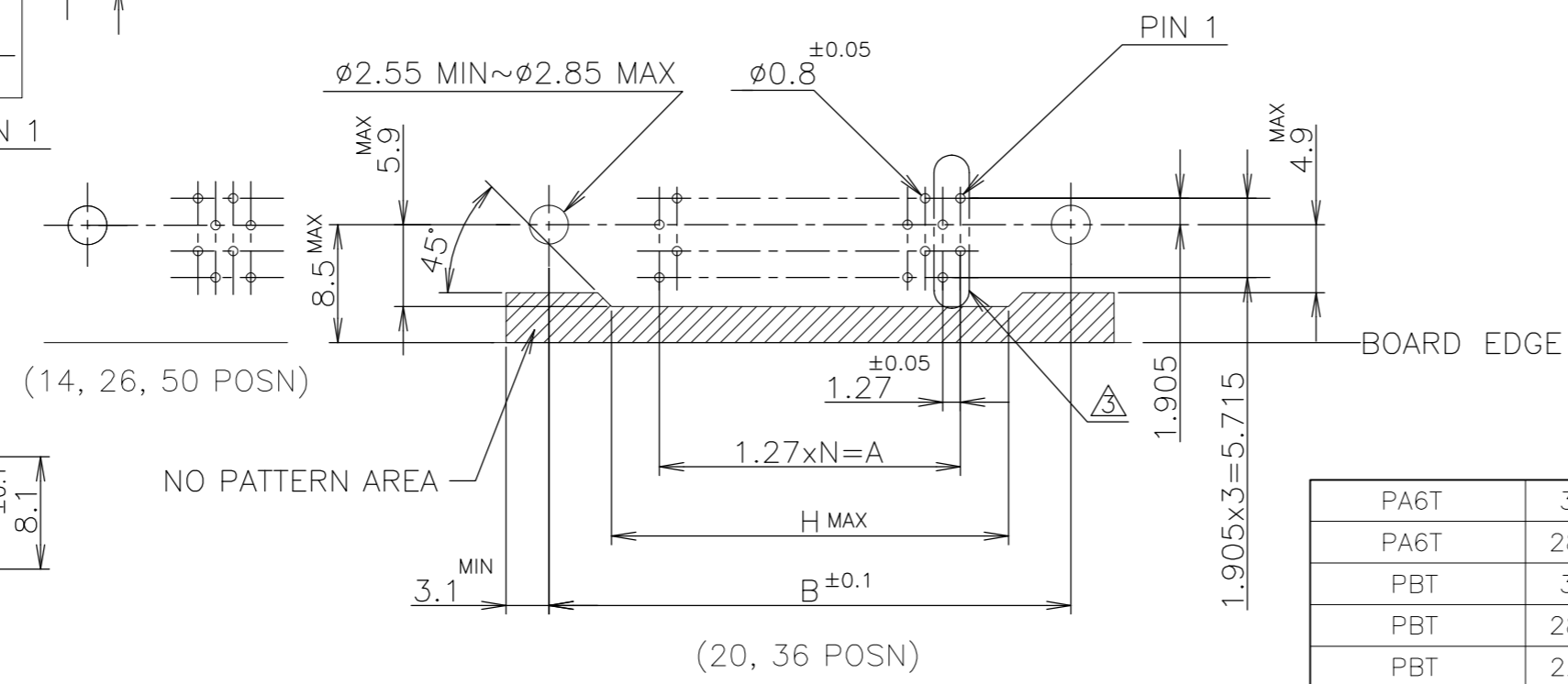
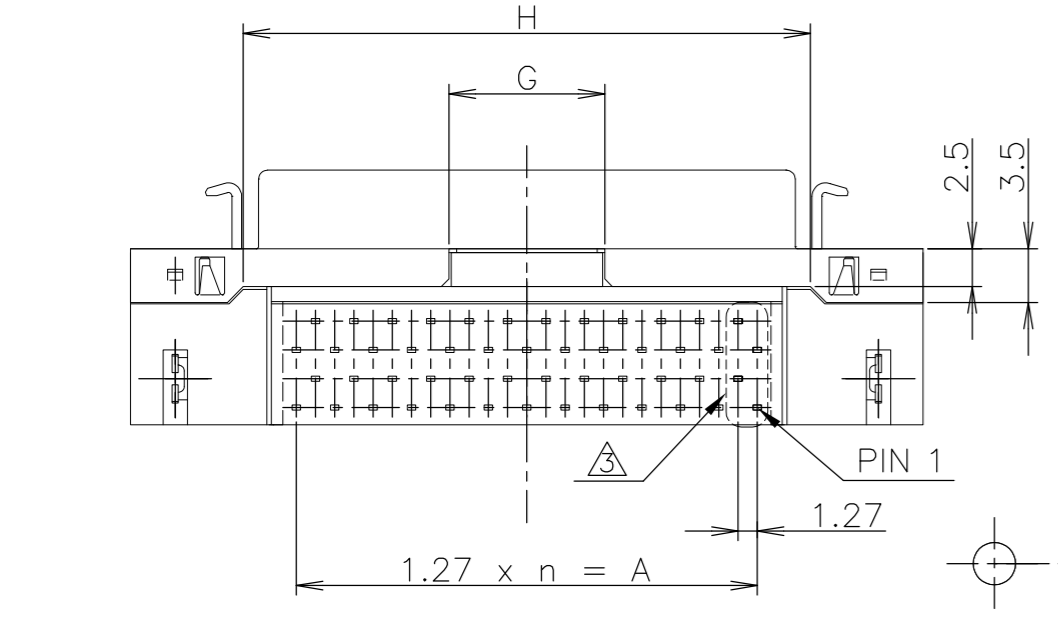
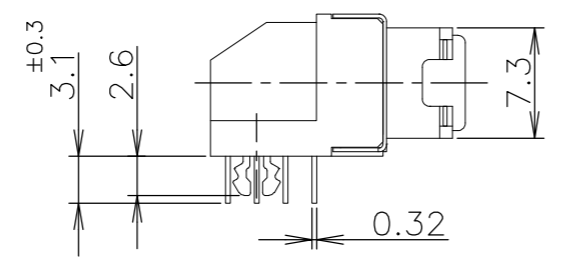
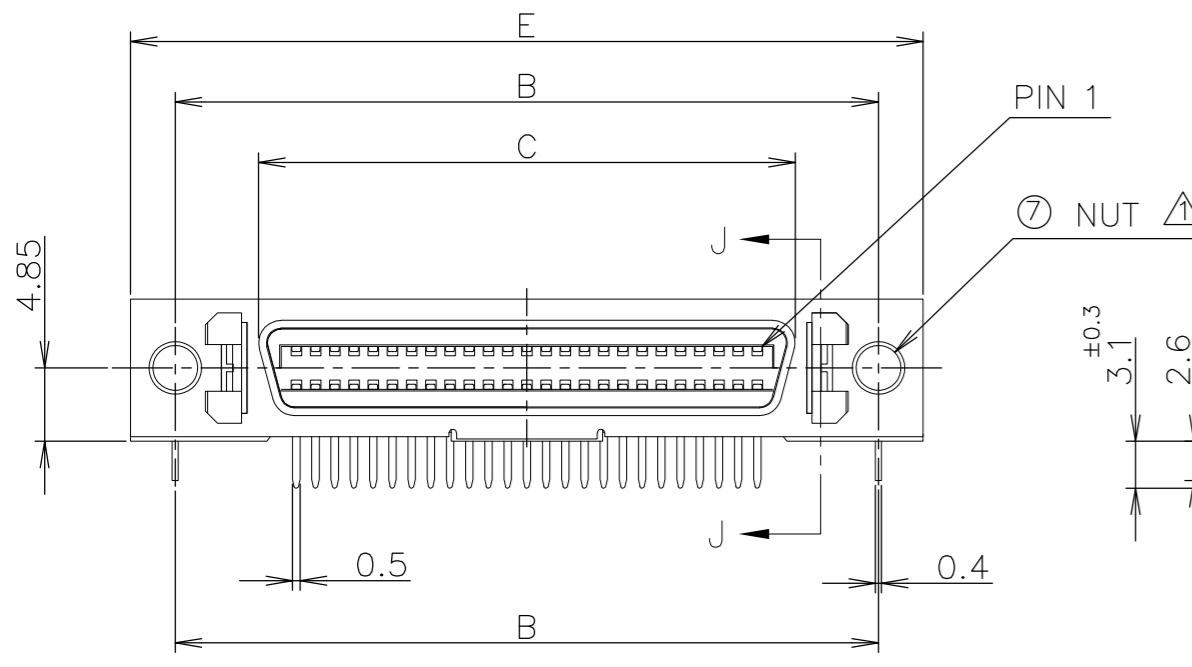
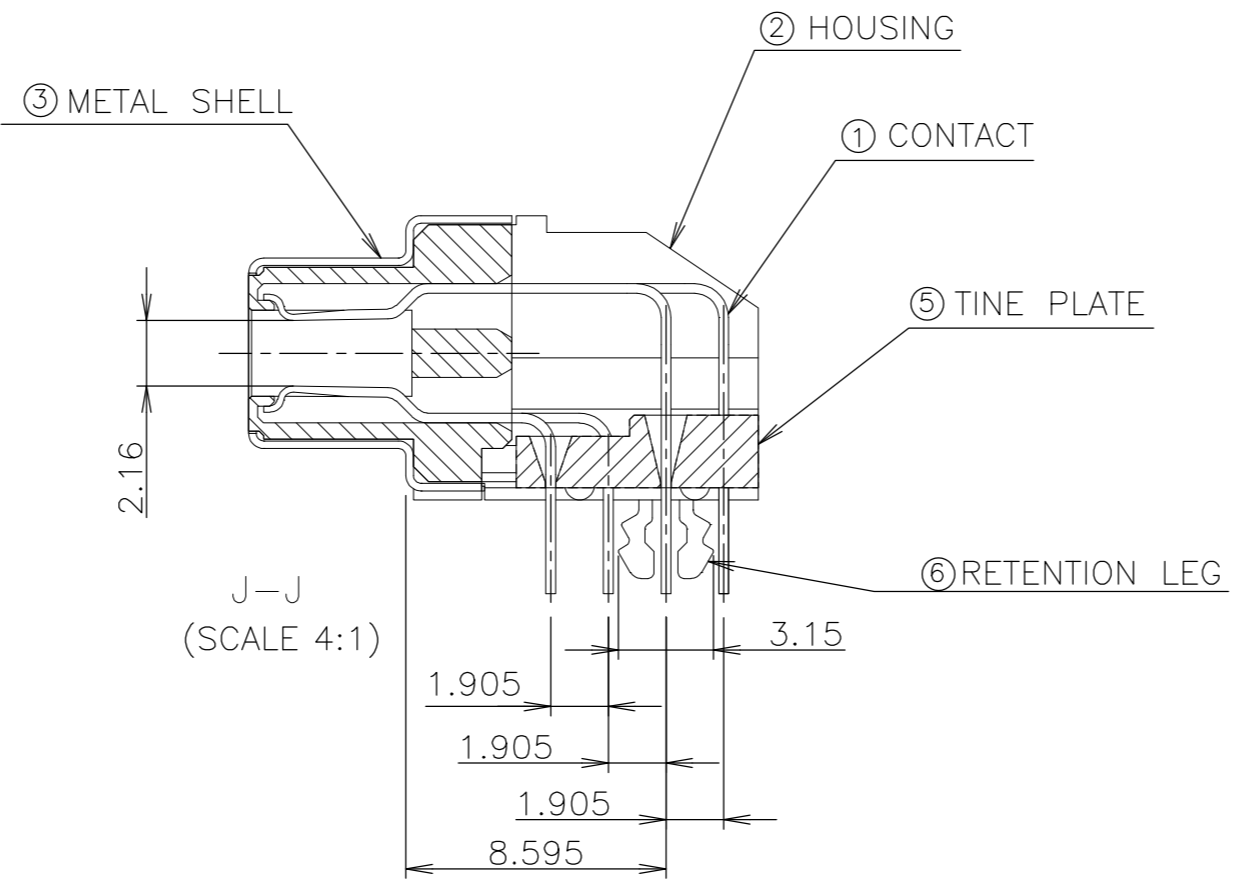
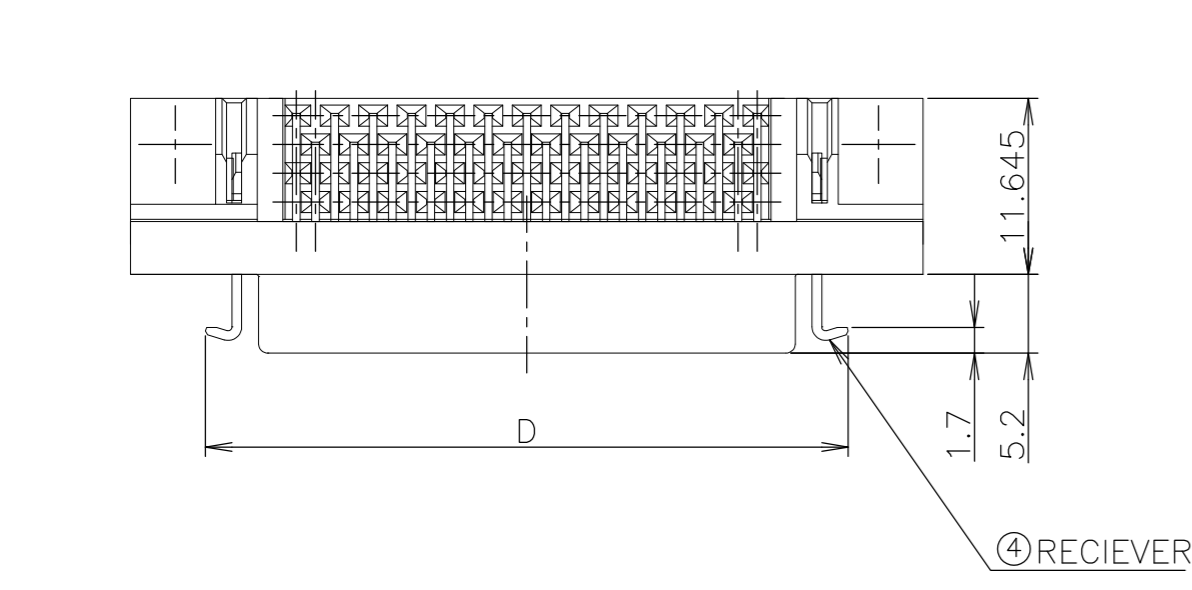
Tel: +86-755-8981 8866 Fax: +86-755-8427 6832

Email & Skype: info@chipsmall.com Web: www.chipsmall.com

Address: A1208, Overseas Decoration Building, #122 Zhenhua RD., Futian, Shenzhen, China



LOC	DIST	REVISIONS					
J		P	LTR	DESCRIPTION	DATE	DWN	APVD
		P		REVISED PER ECO-11-005033	29MAR11	RK	HMR



RECOMENDED PANEL CUTOUT
THK,2mm MAX

RECOMMENDED PC BOARD
MOUNTING DIMMENSION
COMPONENT SIDE

ITEM	(MATERIAL)	(FINISH)
①	COPPER ALLOY	NICKEL UNDER PLATE ALL OVER CONTACT AREA ; Au(0.0001) SOLDER TINE AREA ; TIN PLATE
② ⑤	PBT OR PA6T	COLOR : PBT BLACK PA6T NATURAL
③	STEEL THK0.25	NICKEL PLATE OVER COPPER UNDERPLATE
④	STAINLESS STEEL	
⑥	COPPER ALLOY	NICKEL UNDER PLATE ALL OVER. TIN PLATING ALL OVER.
⑦	STEEL	NICKEL PLATE OVER COPPER UNDERPLATE

△ RECOMMENDED SCREW SIZE ; M2.6 PANHEAD SCREW.(L=5)
 2 RECOMMENDED P.C BOARD THICKNESS ; 1.6mm±0.15
 ▽ POST PATTERN AS SHOWN ON THIS END FOR ALL POSITION.

LEAD FREE

HSG MAT'L	H	G	F	E	D	C	B	A	N	POSITION	PART NO.
PA6T	37.5	10.3	42.8	52.40	42.50	35.48	46.50	30.48	24	50	1-5917738-7
PA6T	28.61	8.3	33.9	43.51	33.61	26.59	37.61	21.59	17	36	1-5917738-5
PBT	37.5	10.3	42.8	52.40	42.50	35.48	46.50	30.48	24	50	5917738-7
PBT	28.61	8.3	33.9	43.51	33.61	26.59	37.61	21.59	17	36	5917738-5
PBT	22.26	8.3	27.6	37.16	27.26	20.24	31.26	15.24	12	26	5917738-4
PBT	18.45	8.3	23.8	33.35	23.45	16.43	27.45	11.43	9	20	5917738-2
PBT	14.64	8.3	19.9	29.54	19.64	12.62	23.64	7.62	6	14	5917738-1

THIS DRAWING IS A CONTROLLED DOCUMENT.

DWN	LEO ZHOU	30NOV04
CHK	STEVEN YAO	30NOV04
APVD	IENOMOTO	30NOV04

NAME: CHAMP.050 SERIES (II)
FMS-TYPE

SIZE: A2 CAGE CODE: 00779 DRAWING NO: 5917738

SCALE: 2:1 SHEET: 1 OF 1 REV: P