



Chipsmall Limited consists of a professional team with an average of over 10 year of expertise in the distribution of electronic components. Based in Hongkong, we have already established firm and mutual-benefit business relationships with customers from,Europe,America and south Asia,supplying obsolete and hard-to-find components to meet their specific needs.

With the principle of “Quality Parts,Customers Priority,Honest Operation,and Considerate Service”,our business mainly focus on the distribution of electronic components. Line cards we deal with include Microchip,ALPS,ROHM,Xilinx,Pulse,ON,Everlight and Freescale. Main products comprise IC,Modules,Potentiometer,IC Socket,Relay,Connector.Our parts cover such applications as commercial,industrial, and automotives areas.

We are looking forward to setting up business relationship with you and hope to provide you with the best service and solution. Let us make a better world for our industry!



Contact us

Tel: +86-755-8981 8866 Fax: +86-755-8427 6832

Email & Skype: info@chipsmall.com Web: www.chipsmall.com

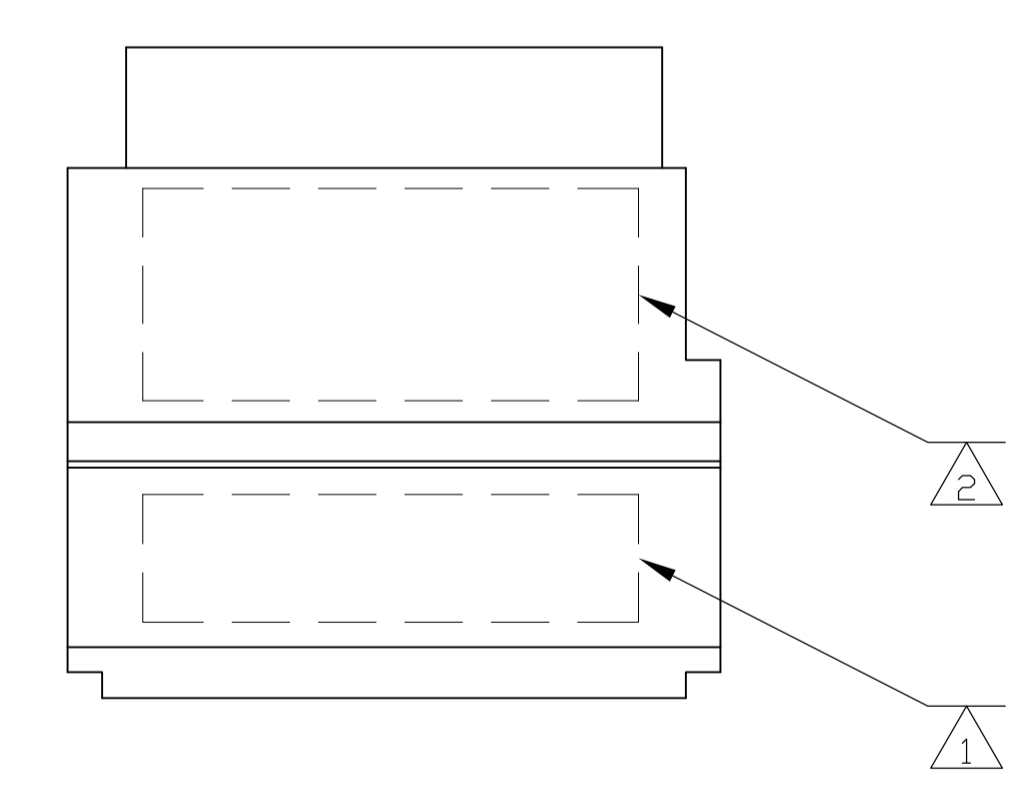
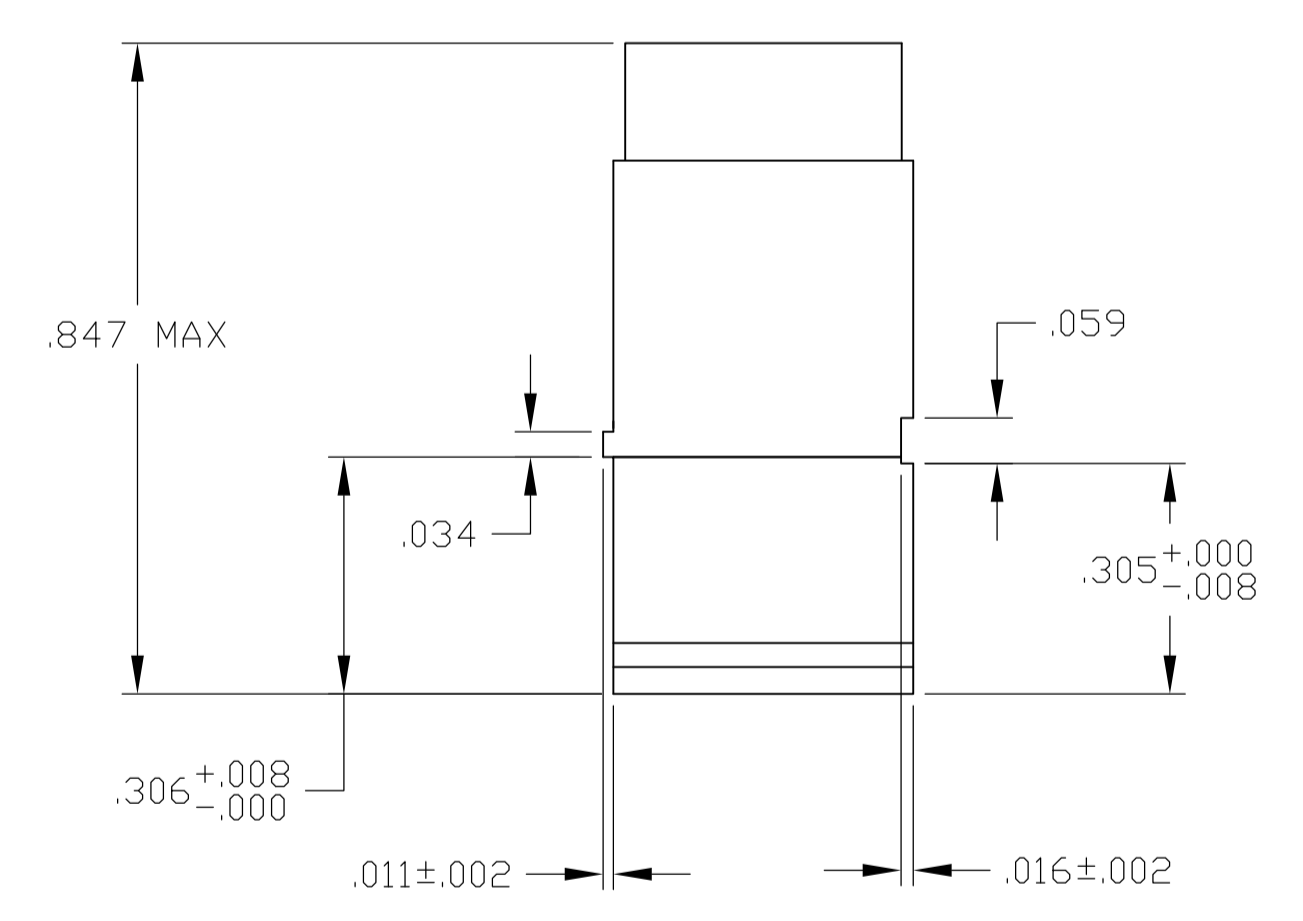
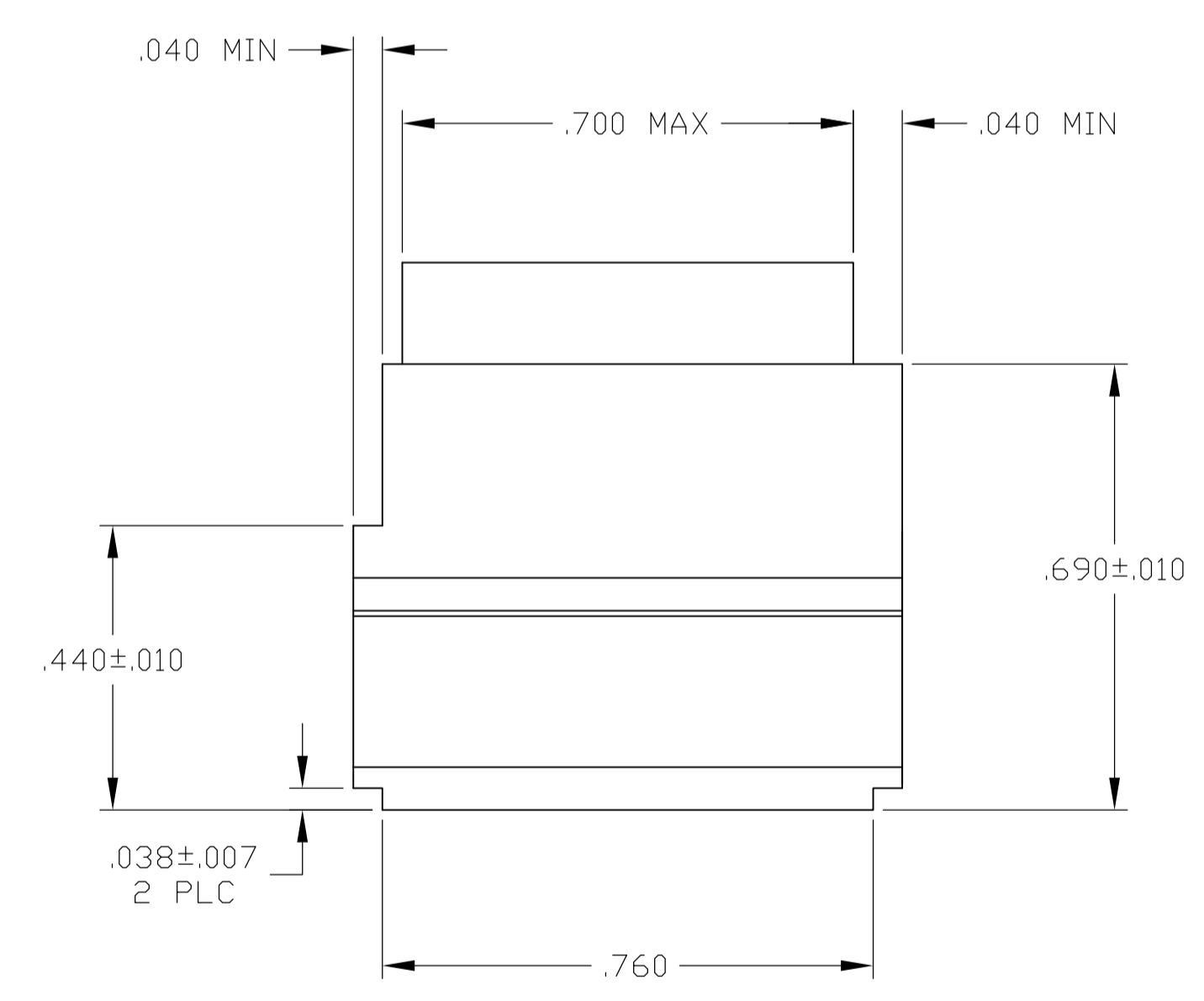
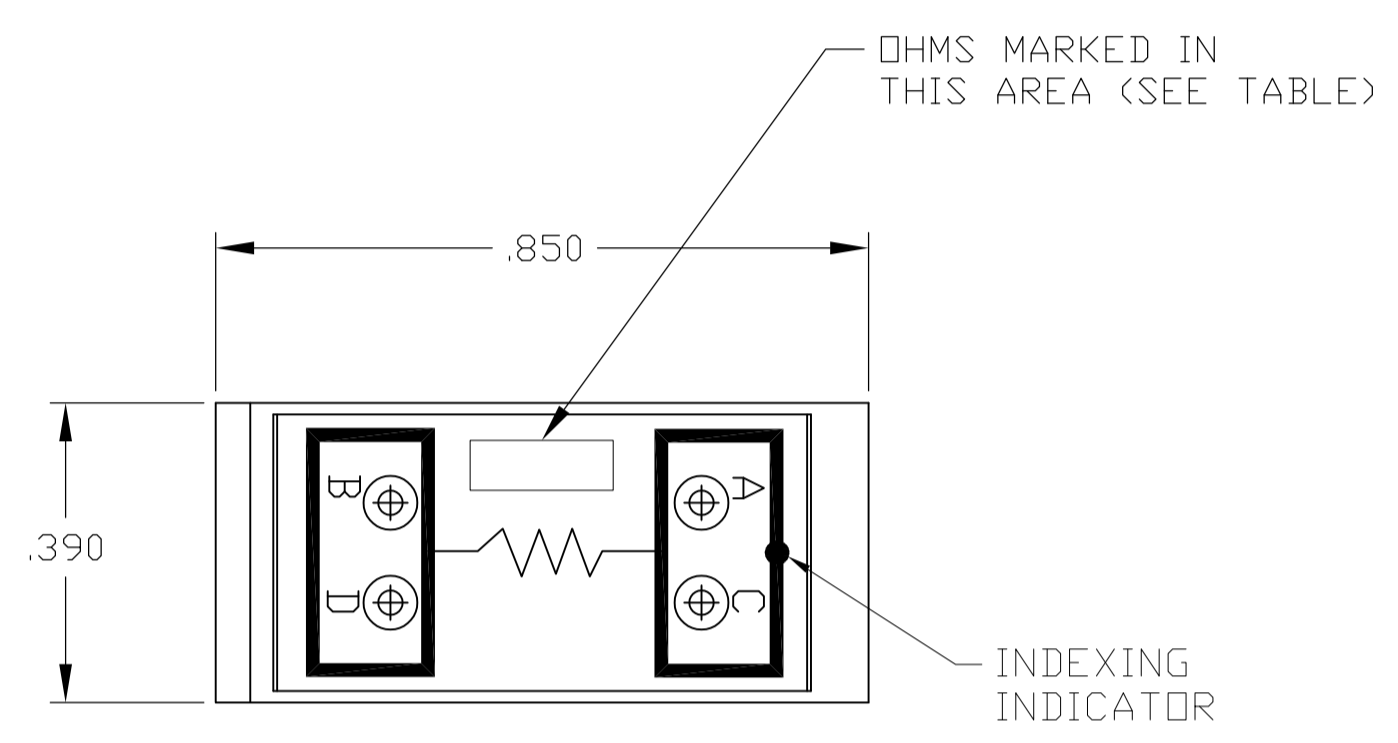
Address: A1208, Overseas Decoration Building, #122 Zhenhua RD., Futian, Shenzhen, China



COMPONENT	MATERIAL	FINISH
MODULE ASSY	D. A. P. PER MIL-M14, TYPE SDG-F	COLOR: GREEN
GROMMET	FLUORSILICONE	COLOR: GREEN
SOCKET CONTACT	BERYLLIUM COPPER PER ASTM-B-194	GOLD PLATED PER ASTM-B-488
RETAINING CLIP	BeCu ASTM-B-194 OR STAINLESS STEEL PER QQ-S-766	
PIN CONTACT QTY = 4 P/N M39029/1-101	COPPER ALLOY PER MIL-C-39029/1	GOLD PLATED PER ASTM-B-488
SEALING PLUG QTY = 2	F. E. P. PER MIL-P-19468	COLOR: RED

LOC	DIST	REVISIONS				
DF	AO	REV	DESCRIPTION	DATE	BY	APPD
		C	REV PER ECO-12-000064	23JAN12	PY	DE

1. MODULE ASSEMBLY MARKED WITH AMP, AMP PART NO. AND DATE CODE IN THIS AREA.
2. MODULE ASSEMBLY MARKED WITH CUSTOMER PART NO. FOR -2 ONLY. (SEE TABLE)
3. CONTACTS AND SEALING PLUGS ARE PACKAGED SEPARATELY AND SHIPPED WITH CONNECTOR.



-	-	3240	RLR20C3241FS	591813-4
M81714/18-D-009	-	2200	RLR20C2201GS	591813-3
-	204-10326-2	221	RWR89N2210FR	591813-2
REF	CUSTOMER MARKING	OHMS	RESISTOR	PART NO.

THIS DRAWING IS A CONTROLLED DOCUMENT.

DWN: C. C. THOMAS 6-23-03
CHK: D. EBY 6-24-03
APPD: D. EBY 6-24-03

NAME: REMOVABLE MODULE BLOCK W/ RESISTOR, SIZE 20, TJ

PRODUCT SPEC: -
APPLICATION SPEC: -

SIZE: A1 CAGE CODE: 00779 DRAWING NO: 591813

RESTRICTED TO: -

MATERIAL: SEE TABLE FINISH: SEE TABLE WEIGHT: -

CUSTOMER DRAWING SCALE: 4:1 SHEET 1 OF 1 REV: C

STE TE Connectivity