



Chipsmall Limited consists of a professional team with an average of over 10 year of expertise in the distribution of electronic components. Based in Hongkong, we have already established firm and mutual-benefit business relationships with customers from,Europe,America and south Asia,supplying obsolete and hard-to-find components to meet their specific needs.

With the principle of “Quality Parts,Customers Priority,Honest Operation,and Considerate Service”,our business mainly focus on the distribution of electronic components. Line cards we deal with include Microchip,ALPS,ROHM,Xilinx,Pulse,ON,Everlight and Freescale. Main products comprise IC,Modules,Potentiometer,IC Socket,Relay,Connector.Our parts cover such applications as commercial,industrial, and automotives areas.

We are looking forward to setting up business relationship with you and hope to provide you with the best service and solution. Let us make a better world for our industry!




Contact us

Tel: +86-755-8981 8866 Fax: +86-755-8427 6832

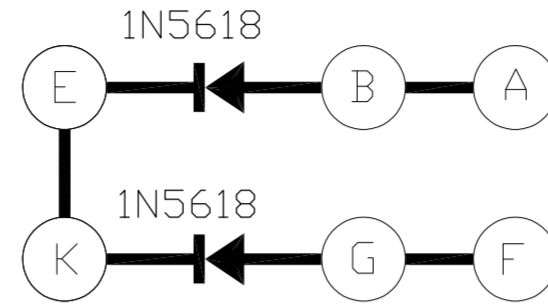
Email & Skype: info@chipsmall.com Web: www.chipsmall.com

Address: A1208, Overseas Decoration Building, #122 Zhenhua RD., Futian, Shenzhen, China

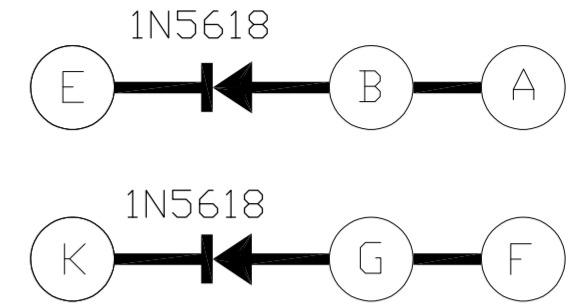


THIS DRAWING IS UNPUBLISHED. RELEASED FOR PUBLICATION		
© COPYRIGHT BY TYCO ELECTRONICS CORPORATION. ALL RIGHTS RESERVED.		
DESCRIPTION	MATERIAL	FINISH
MODULE ASSEMBLY	D.A.P. PER MIL-M-14	COLOR: GREEN
GROMMET	FLUORSILICONE RUBBER PER MIL-T-81714, CLASS B	COLOR: NATURAL
CONTACT SOCKET	BERYLLIUM COPPER PER QQ-C-533	GOLD PLATE PER MIL-G-45204
RETAINING CLIP	BERYLLIUM COPPER PER QQ-C-533 OR STAINLESS STEEL PER QQ-S-766	NONE
DIODES (QTY=2)	1N5618 	- -

LOC	DIST	REVISIONS					
DF	AO	P	LTR	DESCRIPTION	DATE	DWN	APVD
		E		REV PER ECD-08-022704	23OCT08	PY	DE

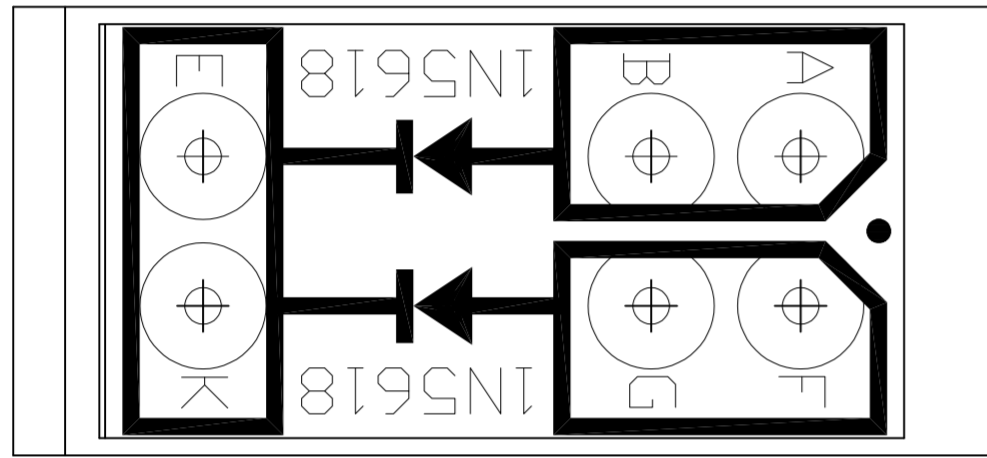


SCHEMATIC FOR -1
SCALE 4:1





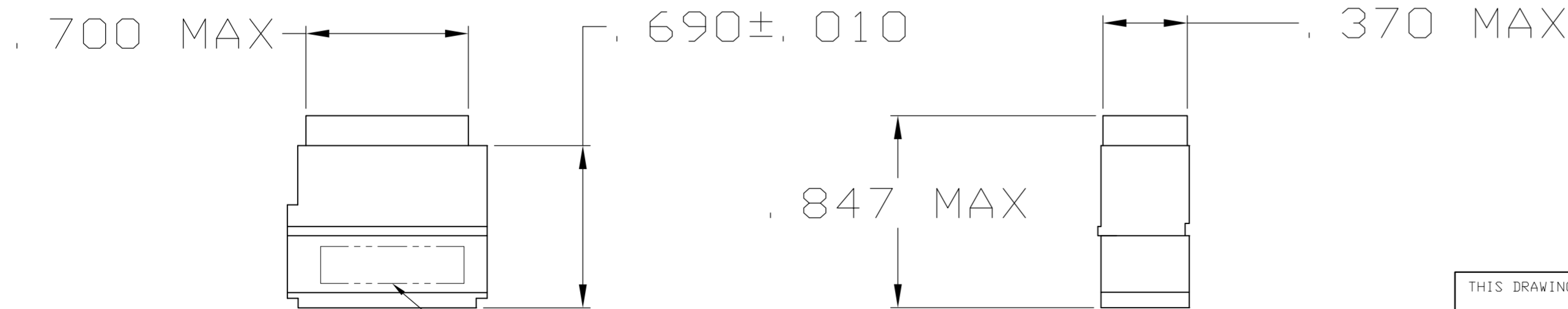
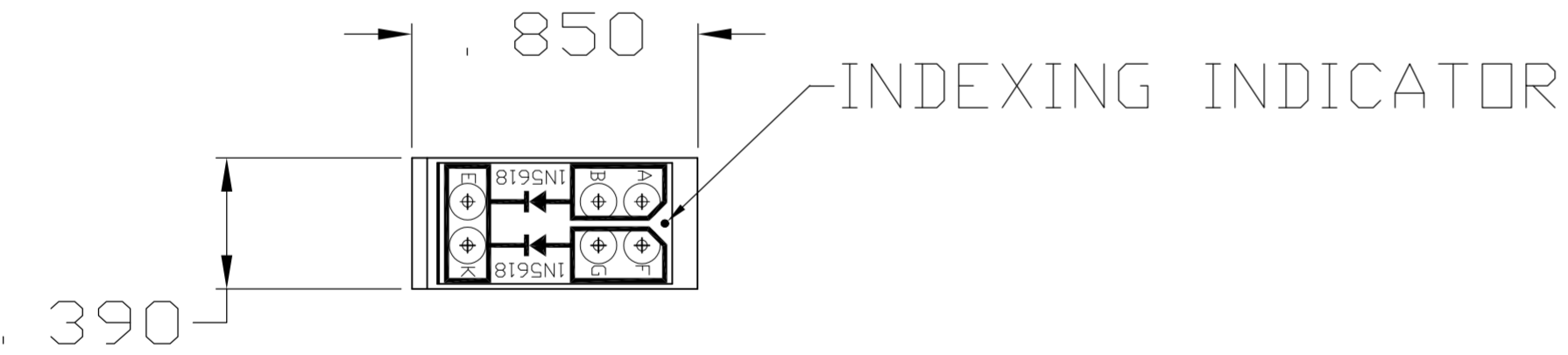
SCHEMATIC FOR -2
SCALE 4:1

WIRING SCHEMATIC ABOVE DOES NOT DETERMINE MARKING ORIENTATION




MARKING ORIENTATION REF
-1 SHOWN

-  MARK MODULE ASSEMBLY WITH "AMP", AMP PART NO. AND DATE CODE .060 MINIMUM HIGH CHARACTERS AT APPROXIMATE AREA SHOWN.
 - PIN CONTACTS, SEALING PLUGS AND TOOLS NOT SUPPLIED MUST ORDER SEPARATELY.
- | ITEMS | AMP P/N | MILITARY P/N |
|---------------|------------|--------------|
| PIN CONTACTS | 2-592404-1 | M39029/1-101 |
| SEALING PLUGS | 592104-1 | MS27488-20 |
| TOOLS | 592105-1 | M81969/14-11 |
- MODULE MEETS APPLICABLE REQUIREMENTS OF MIL-T-81714 CLASS "B". ENVIRONMENTS CREATED BY OPERATION OF INTERNAL ELECTRIC COMPONENTS WHICH EXCEED THE MODULE RATED PERFORMANCE IS THE RESPONSIBILITY OF THE USER. THE ELECTRONIC COMPONENT SPECIFICATION SHOULD BE CONSULTED.
-  DIODE MQ1N5618, MX1N5618 OR MXV1N5618 MAY BE SUBSTITUTED FOR JAN1N5618. DIODES MAY BE A COMMERCIAL DIODE THAT HAS BEEN UP-SCREENED TO MEET THE REQUIREMENTS OF JAN1N5618



SEE SCHEMATIC	591817-2
SEE SCHEMATIC	591817-1
PART	PART NO.

THIS DRAWING IS A CONTROLLED DOCUMENT.		DWN	8-26-03	 Tyco Electronics Corporation Harrisburg, Pa 17105-3608
DIMENSIONS: INCHES		CHK	8-27-03	
TOLERANCES UNLESS OTHERWISE SPECIFIED:		APVD	8-27-03	
0 PLC ± - 1 PLC ± - 2 PLC ± - 3 PLC ± .010 4 PLC ± - ANGLES ± - FINISH -		NAME	-	
MATERIAL		PRODUCT SPEC	-	FEED-BACK MODULE ASSY, SIZE 20, TJ WITH TWO DIODES
		APPLICATION SPEC	-	RESTRICTED TO
		WEIGHT	-	SIZE
		CUSTOMER DRAWING	SCALE 2:1	CAGE CODE
			SHEET 1 OF 1	DRAWING NO
			REV E	A2 00779 C-591817