



Chipsmall Limited consists of a professional team with an average of over 10 year of expertise in the distribution of electronic components. Based in Hongkong, we have already established firm and mutual-benefit business relationships with customers from,Europe,America and south Asia,supplying obsolete and hard-to-find components to meet their specific needs.

With the principle of “Quality Parts,Customers Priority,Honest Operation,and Considerate Service”,our business mainly focus on the distribution of electronic components. Line cards we deal with include Microchip,ALPS,ROHM,Xilinx,Pulse,ON,Everlight and Freescale. Main products comprise IC,Modules,Potentiometer,IC Socket,Relay,Connector.Our parts cover such applications as commercial,industrial, and automotives areas.

We are looking forward to setting up business relationship with you and hope to provide you with the best service and solution. Let us make a better world for our industry!



## Contact us

Tel: +86-755-8981 8866 Fax: +86-755-8427 6832

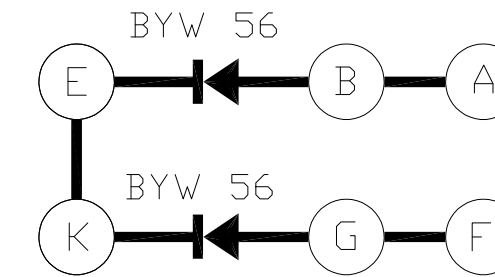
Email & Skype: info@chipsmall.com Web: www.chipsmall.com

Address: A1208, Overseas Decoration Building, #122 Zhenhua RD., Futian, Shenzhen, China

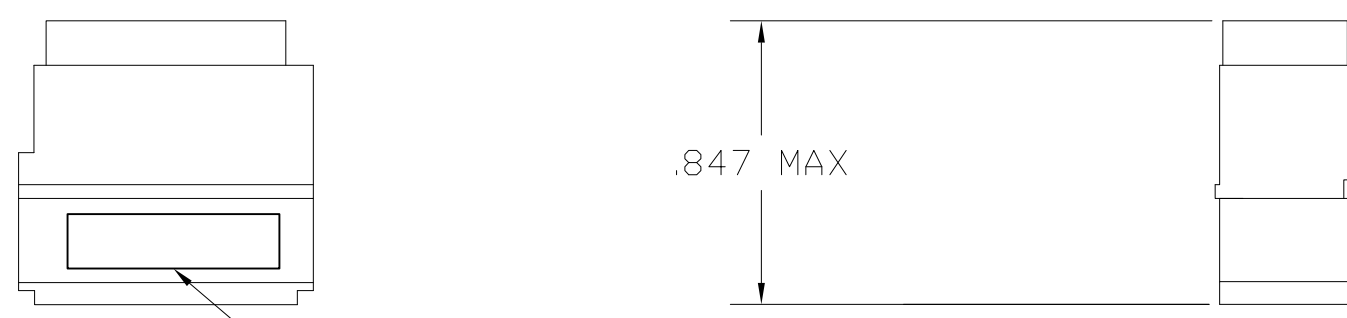
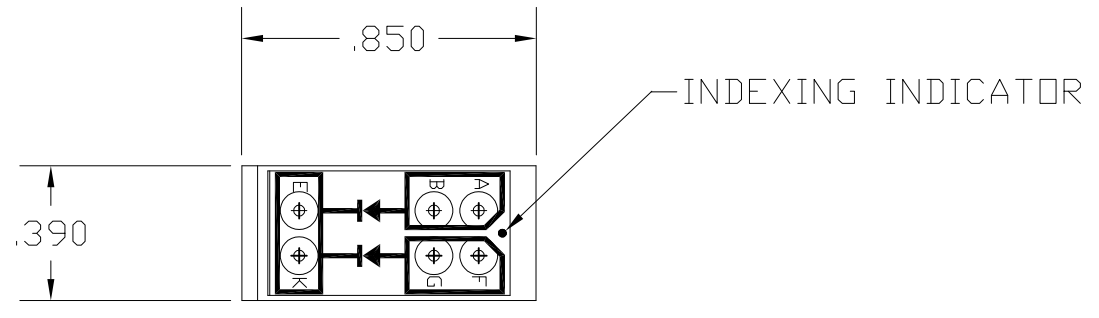


THIS DRAWING IS UNPUBLISHED.		RELEASED FOR PUBLICATION
© COPYRIGHT BY TYCO ELECTRONICS CORPORATION. ALL INTERNATIONAL RIGHTS RESERVED.		
DESCRIPTION	MATERIAL	FINISH
MODULE ASSEMBLY	EPOXY THERMOSET	COLOR: BLACK
GROMMET	FLUORSILICONE RUBBER PER MIL-T-81714, CLASS B	COLOR: NATURAL
CONTACT SOCKET	BERYLLIUM COPPER PER QQ-C-533	GOLD PLATE PER MIL-G-45204
RETAINING CLIP	BERYLLIUM COPPER PER QQ-C-533 OR STAINLESS STEEL PER QQ-S-766	NONE
DIODES	BYW 56 2 AMP, 1000 PIV	- -

LDC		DIST		REVISIONS			
DF	AO	P	LTR	DESCRIPTION	DATE	DWN	APVD
		A		REV PER ECO-08-031450	10MAR09	PY	DE



SCHEMATIC  
SCALE 4:1



1 MARK MODULE ASSEMBLY WITH "AMP", AMP PART NO. AND DATE CODE .060 MINIMUM HIGH CHARACTERS AT APPROXIMATE AREA SHOWN.

FAR SIDE

2. PIN CONTACTS, SEALING PLUGS AND TOOLS NOT SUPPLIED MUST ORDER SEPARATELY.

ITEMS	AMP P/N	MILITARY P/N
PIN CONTACTS	2-592404-1	M39021/1-101
SEALING PLUGS	592104-1	MS27488-20
TOOLS	592105-1	M81969/14-11

3. MODULE MEETS APPLICABLE REQUIREMENTS OF MIL-T-81714 CLASS "B". ENVIRONMENTS CREATED BY OPERATION OF INTERNAL ELECTRIC COMPONENTS WHICH EXCEED THE MODULE RATED PERFORMANCE IS THE RESPONSIBILITY OF THE USER. THE ELECTRONIC COMPONENT SPECIFICATION SHOULD BE CONSULTED.

591818-1  
PART NO.

THIS DRAWING IS A CONTROLLED DOCUMENT.		DWN J. BAKER 12-16-96	Tyco Electronics Corporation Harrisburg, PA 17105-3608	
DIMENSIONS: INCHES		CHK D. MILLER 12-17-96	NAME -	
TOLERANCES UNLESS OTHERWISE SPECIFIED:		APVD D. MILLER 12-17-96	PRODUCT SPEC -	
0 PLC ± -		APPLICATION SPEC -		
1 PLC ± -		SIZE A2		
2 PLC ± -		CAGE CODE 00779		
3 PLC ± .010		DRAWING NO C-591818		
4 PLC ± -		RESTRICTED TO -		
ANGLES ± -		SCALE 2:1		
FINISH -		SHEET 1 of 1		
MATERIAL -		REV A		
		CUSTOMER DRAWING		