



Chipsmall Limited consists of a professional team with an average of over 10 year of expertise in the distribution of electronic components. Based in Hongkong, we have already established firm and mutual-benefit business relationships with customers from,Europe,America and south Asia,supplying obsolete and hard-to-find components to meet their specific needs.

With the principle of “Quality Parts,Customers Priority,Honest Operation,and Considerate Service”,our business mainly focus on the distribution of electronic components. Line cards we deal with include Microchip,ALPS,ROHM,Xilinx,Pulse,ON,Everlight and Freescale. Main products comprise IC,Modules,Potentiometer,IC Socket,Relay,Connector.Our parts cover such applications as commercial,industrial, and automotives areas.

We are looking forward to setting up business relationship with you and hope to provide you with the best service and solution. Let us make a better world for our industry!



## Contact us

Tel: +86-755-8981 8866 Fax: +86-755-8427 6832

Email & Skype: info@chipsmall.com Web: www.chipsmall.com

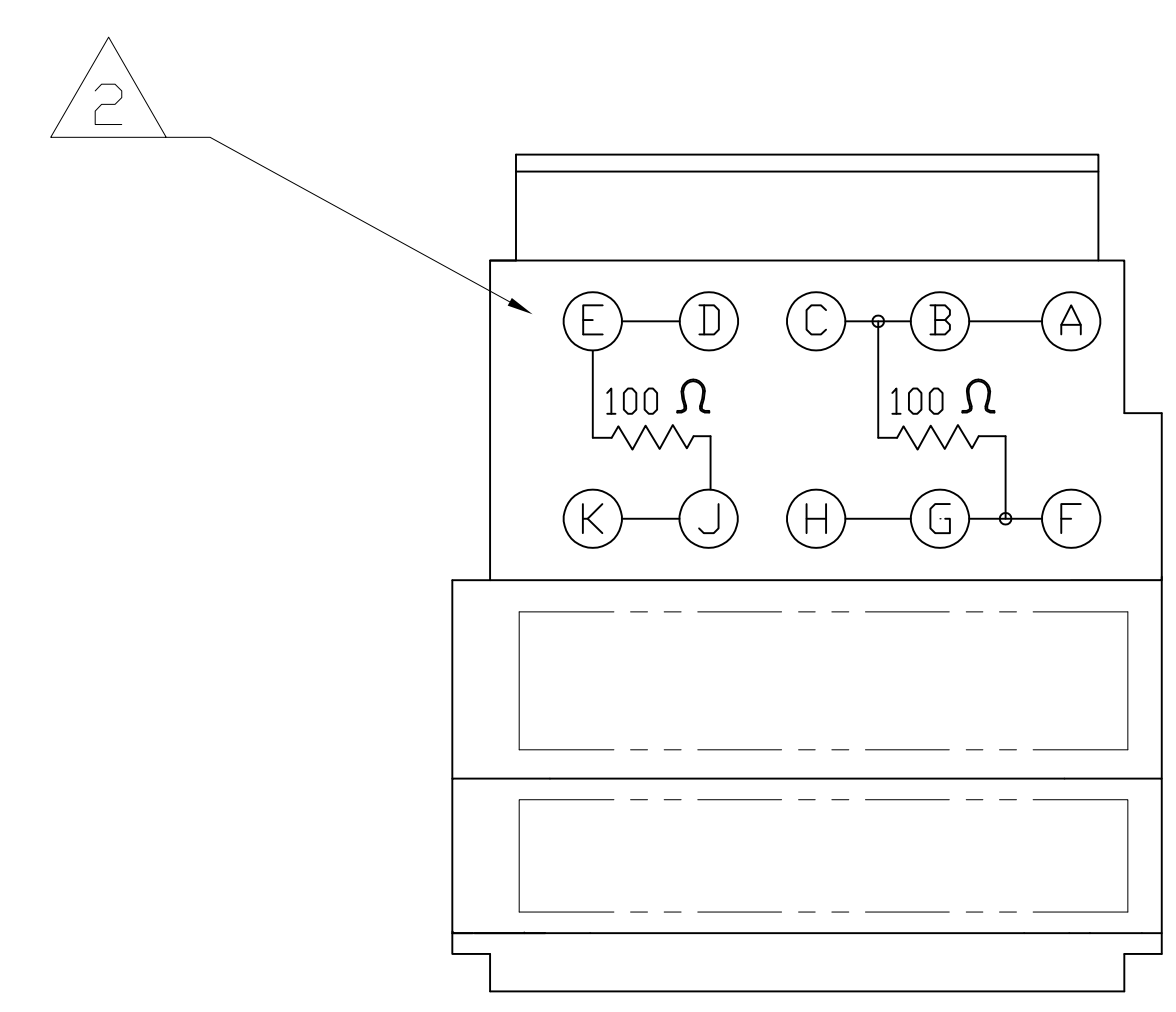
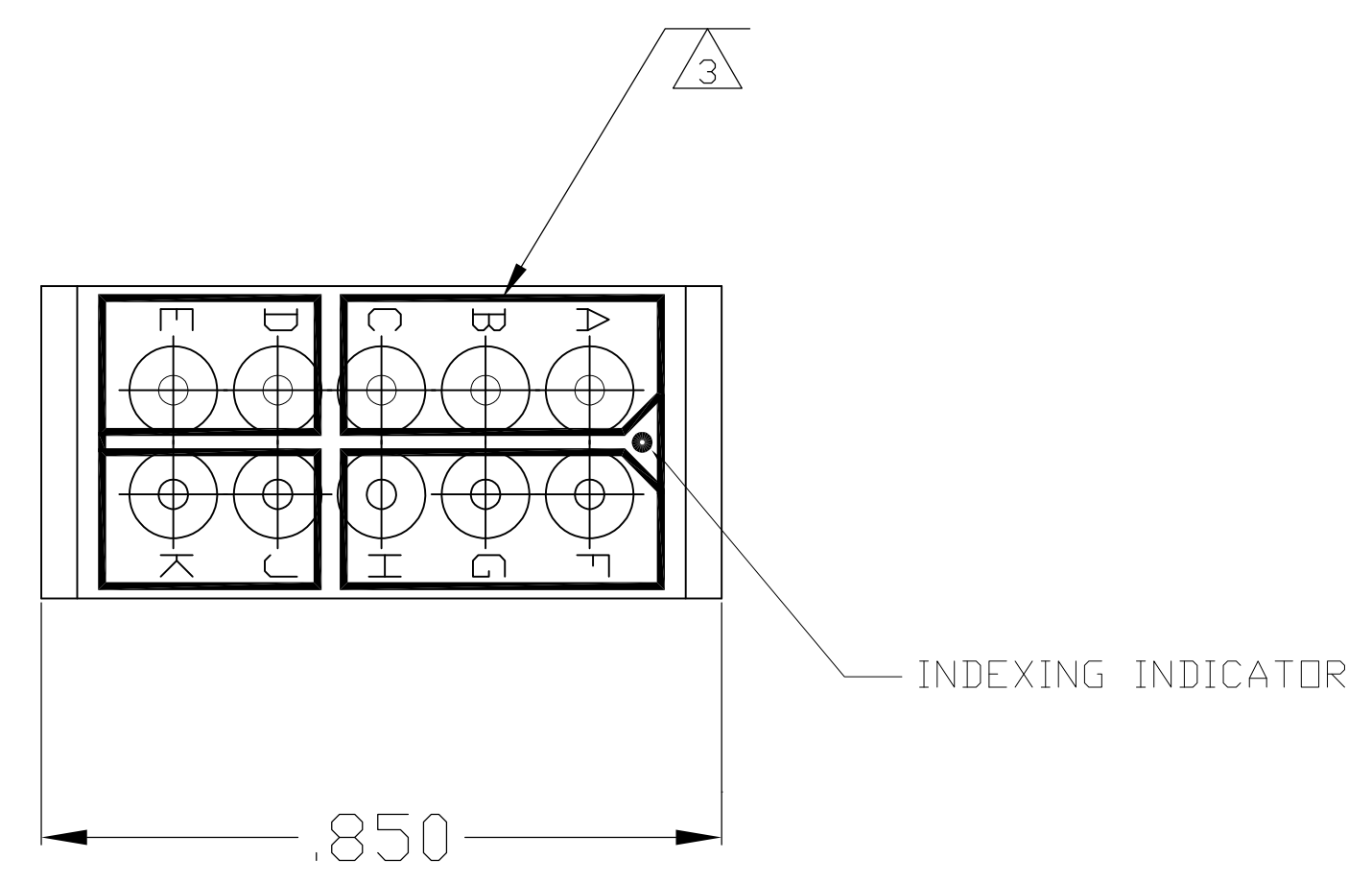
Address: A1208, Overseas Decoration Building, #122 Zhenhua RD., Futian, Shenzhen, China



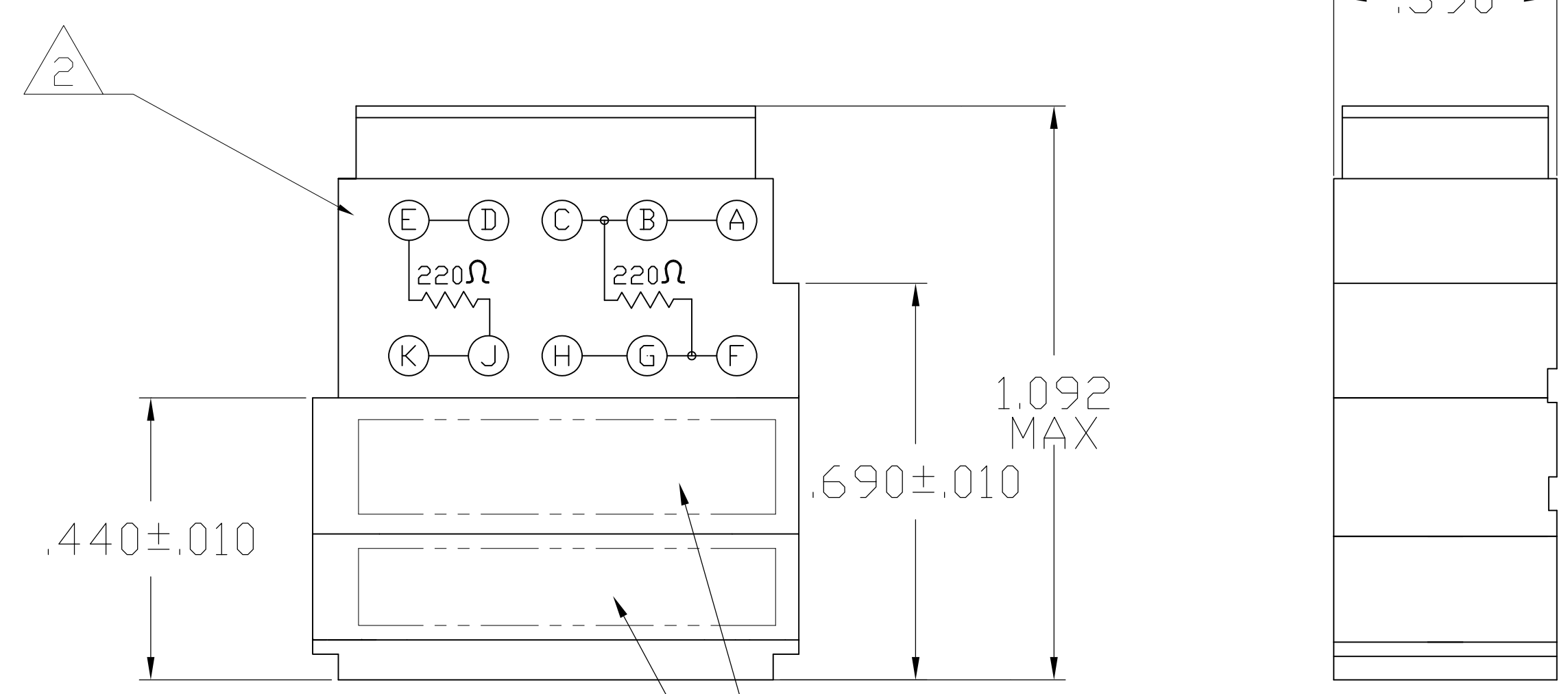
DESCRIPTION	MATERIAL	FINISH
MODULE ASSEMBLY	EPOXY EPIALL 1908-B OR E484 OR FIBERITE E-8354	COLOR: BLACK
GROMMET	FLUORSILICONE RUBBER 70/30 BLEND	COLOR: RED
CONTACT SOCKET	BERYLLIUM COPPER PER ASTM-B-194	GOLD PLATE PER MIL-G-45204
RETAINING CLIP	BERYLLIUM COPPER PER ASTM-B-194 OR STAINLESS STEEL PER QQ-S-766	NONE
RESISTOR (-1)	RLR07C2200JM (QTY=2)	220 OHM
RESISTOR (-2)	RLR07C1000JM (QTY=2)	100 OHM
WAFER	LAMINATED PHENOLIC PER MIL-P-18177; TYPE GEE	--

LOC	DIST	REVISIONS				
DF	AO	REV	DESCRIPTION	DATE	DRN	APVD
		C	REV PER ECO 08-023820	06NOV08	PK	DE

- 1. MODULE MARKED WITH AMP, AMP PART NO. AND DATE CODE IN THIS APPROX. AREA WITH .060 HIGH CHARS.
- 2. MODULE ASSEMBLY MARKED WITH SCHEMATIC DIAGRAM IN THIS AREA.
- 3. BUSSING ARRANGEMENT MARKED IN THIS AREA.
- 4. PIN CONTACTS AND SEALING PLUGS ARE NOT INCLUDED IN THIS ASSY. THEY MUST BE ORDERED SEPARATELY:  
PIN CONTACT NUMBER: 2-592404-1  
SEALING PLUG NUMBER: 592104-1



591839-2  
(100 OHM)



591839-1  
(220 OHM)

100 OHM	591839-2
220 OHM	591839-1
DESCRIPTION	PART NO.

THIS DRAWING IS A CONTROLLED DOCUMENT.		DWN	08AUG99	Tyco Electronics Corporation	
DIMENSIONS: INCHES		C.C. THOMAS	10-5-99	Harrisburg, Pa 17105-3608	
TOLERANCES UNLESS OTHERWISE SPECIFIED:		CHK	D. MILLER	NAME	
0. PLC ± -		APRD	D. MILLER	PRODUCT SPEC	
1. PLC ± -		NAME		APPLICATION SPEC	
2. PLC ± -		SIZE		CAGE CODE	
3. PLC ± .005		DRAWING NO		RESTRICTED TO	
4. PLC ± -		A1 00779		C=591839	
ANGLES ± -		CUSTOMER DRAWING		SCALE 4:1 SHEET 1 OF 1 REV C	
FINISH		WEIGHT		MATERIAL	