



Chipsmall Limited consists of a professional team with an average of over 10 year of expertise in the distribution of electronic components. Based in Hongkong, we have already established firm and mutual-benefit business relationships with customers from,Europe,America and south Asia,supplying obsolete and hard-to-find components to meet their specific needs.

With the principle of “Quality Parts,Customers Priority,Honest Operation,and Considerate Service”,our business mainly focus on the distribution of electronic components. Line cards we deal with include Microchip,ALPS,ROHM,Xilinx,Pulse,ON,Everlight and Freescale. Main products comprise IC,Modules,Potentiometer,IC Socket,Relay,Connector.Our parts cover such applications as commercial,industrial, and automotives areas.

We are looking forward to setting up business relationship with you and hope to provide you with the best service and solution. Let us make a better world for our industry!



## Contact us

Tel: +86-755-8981 8866 Fax: +86-755-8427 6832

Email & Skype: info@chipsmall.com Web: www.chipsmall.com

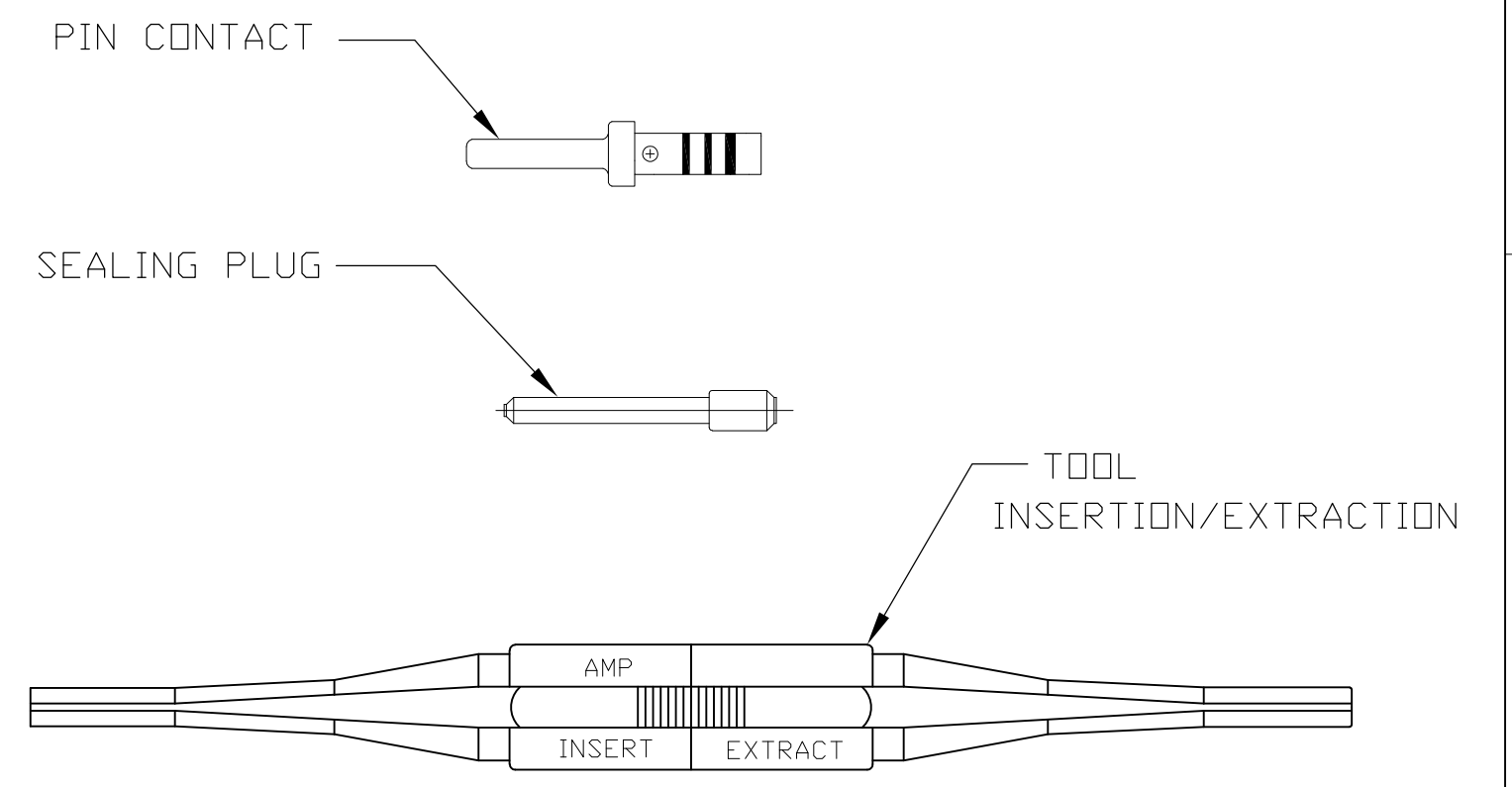
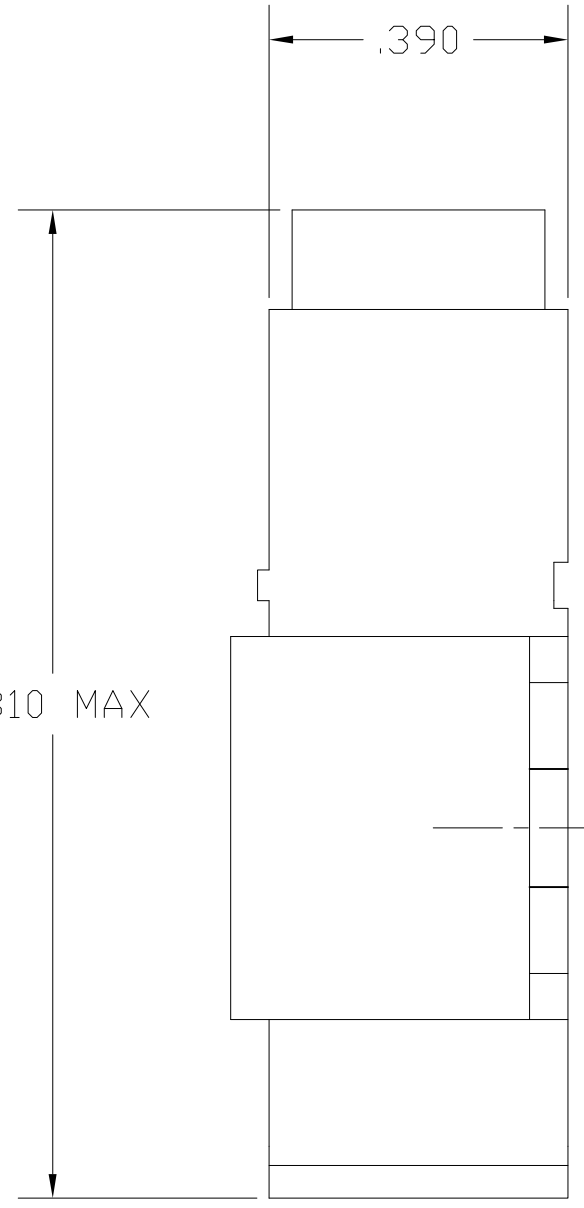
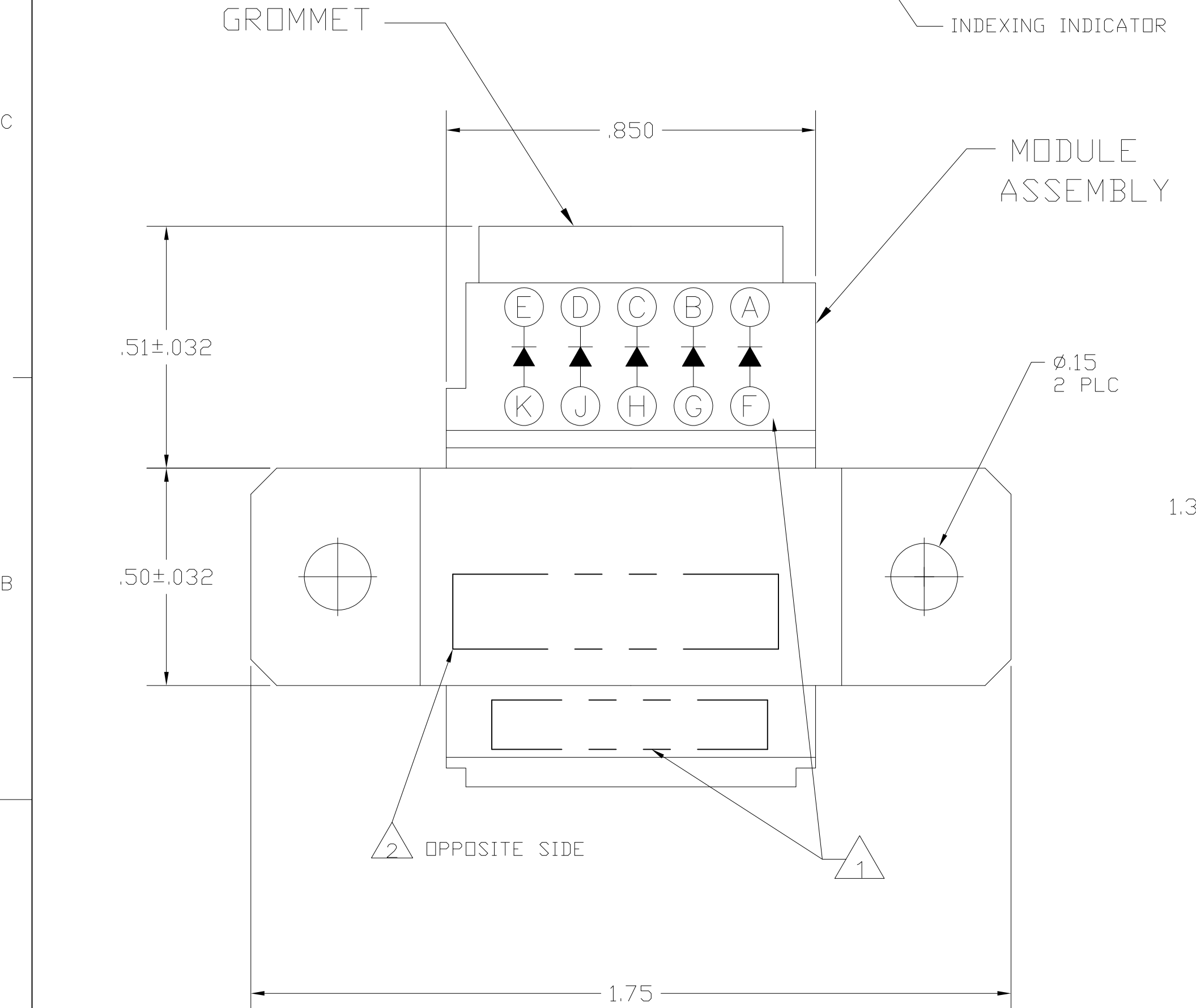
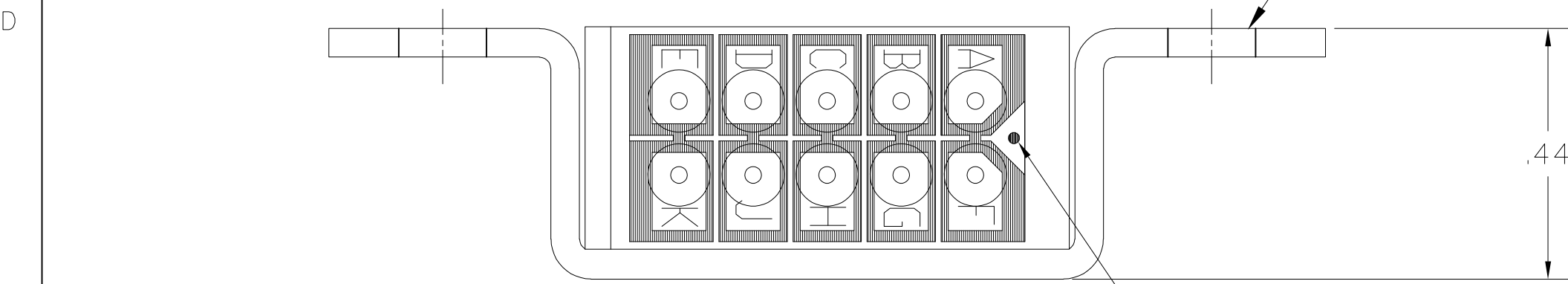
Address: A1208, Overseas Decoration Building, #122 Zhenhua RD., Futian, Shenzhen, China



THIS DRAWING IS UNPUBLISHED. RELEASED FOR PUBLICATION  
 © COPYRIGHT BY TYCO ELECTRONICS CORPORATION. ALL RIGHTS RESERVED.

LOC	DIST	REVISIONS			
P	LTR	DESCRIPTION	DATE	DWN	APVD
DF	-				
	E	REV PER ECO 08-000580	15JAN2009	PK	DE

- 1 ASSEMBLIES ARE IDENTIFIED WITH "AMP", AMP P/N, DATE CODE AND DIODE SCHEMATIC ON MODULE AT AREA SHOWN.
- 2 DIODE MAY BE A COMMERCIAL DIODE THAT HAS BEEN SCREENED TO MEET THE REQUIREMENTS OF JANTXIN5552.



DESCRIPTION	MATERIAL	FINISH
INSERTION/REMOVAL TOOL	THERMOPLASTIC	COLOR: RED
SEALING PLUG	TEFLON	COLOR: RED
PIN CONTACT	BRASS/LEADED COPPER	GOLD PLATE PER MIL-G-45204
GROMMET	FLUOROSILICONE RUBBER	COLOR: BLUE
MODULE ASSEMBLY	THERMOSET EPOXY	COLOR: BLACK
CONTACT, SOCKET ASSEMBLY	BERYLLIUM COPPER ASTM-B194	GOLD PLATE PER MIL-G-45204
CLIP CONTACT RETAINING	BERYLLIUM COPPER PER ASTM-B194 OR SST PER QQ-S-766	NONE
BRACKET	AL-ALLOY 6061-T4 (.050 THK)	CADMIUM PLATE PER QQ-P-416 CHROMATE COLOR OLIVE DRAB
DIODE JANTXIN5552		

THIS DRAWING IS A CONTROLLED DOCUMENT.

DWN	J. MECK	7-27-92
CHK	J. HARMON	8-10-93
APVD	J. HARMON	8-10-93
PRODUCT SPEC		
APPLICATION SPEC		
WEIGHT	-	

**Tyco Electronics** Tyco Electronics Corporation  
Harrisburg, PA 17105-3608

NAME: MODULE, FEED- BACK ASSY (MRTB) SIZE 20

SIZE	CAGE CODE	DRAWING NO	RESTRICTED TO
A2	00779	C=591856	-

CUSTOMER DRAWING SCALE: 4:1 SHEET 1 of 1 REV E