



Chipsmall Limited consists of a professional team with an average of over 10 year of expertise in the distribution of electronic components. Based in Hongkong, we have already established firm and mutual-benefit business relationships with customers from,Europe,America and south Asia,supplying obsolete and hard-to-find components to meet their specific needs.

With the principle of "Quality Parts,Customers Priority,Honest Operation,and Considerate Service",our business mainly focus on the distribution of electronic components. Line cards we deal with include Microchip,ALPS,ROHM,Xilinx,Pulse,ON,Everlight and Freescale. Main products comprise IC,Modules,Potentiometer,IC Socket,Relay,Connector.Our parts cover such applications as commercial,industrial, and automotives areas.

We are looking forward to setting up business relationship with you and hope to provide you with the best service and solution. Let us make a better world for our industry!



Contact us

Tel: +86-755-8981 8866 Fax: +86-755-8427 6832

Email & Skype: info@chipsmall.com Web: www.chipsmall.com

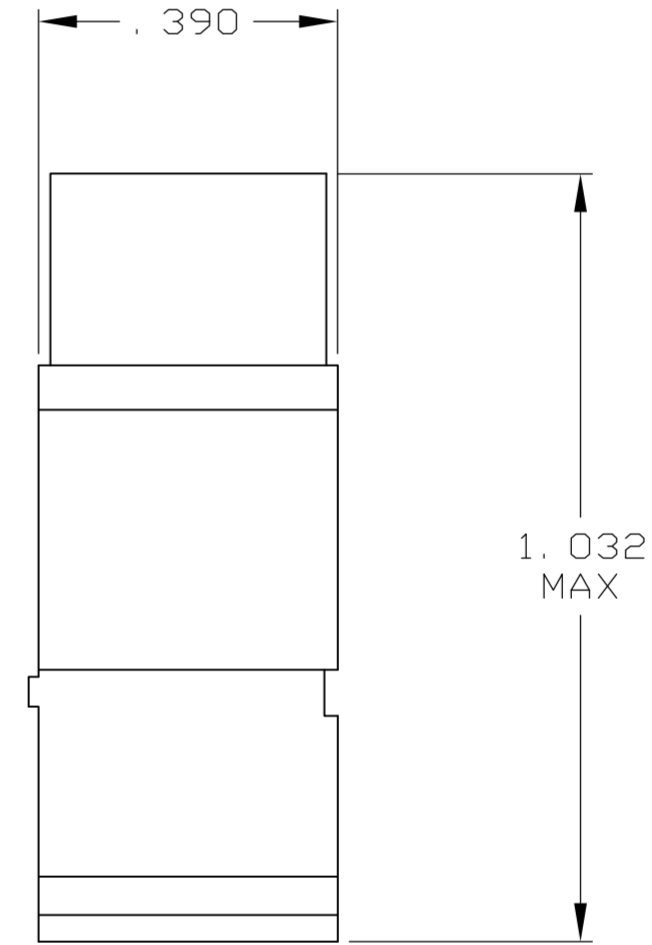
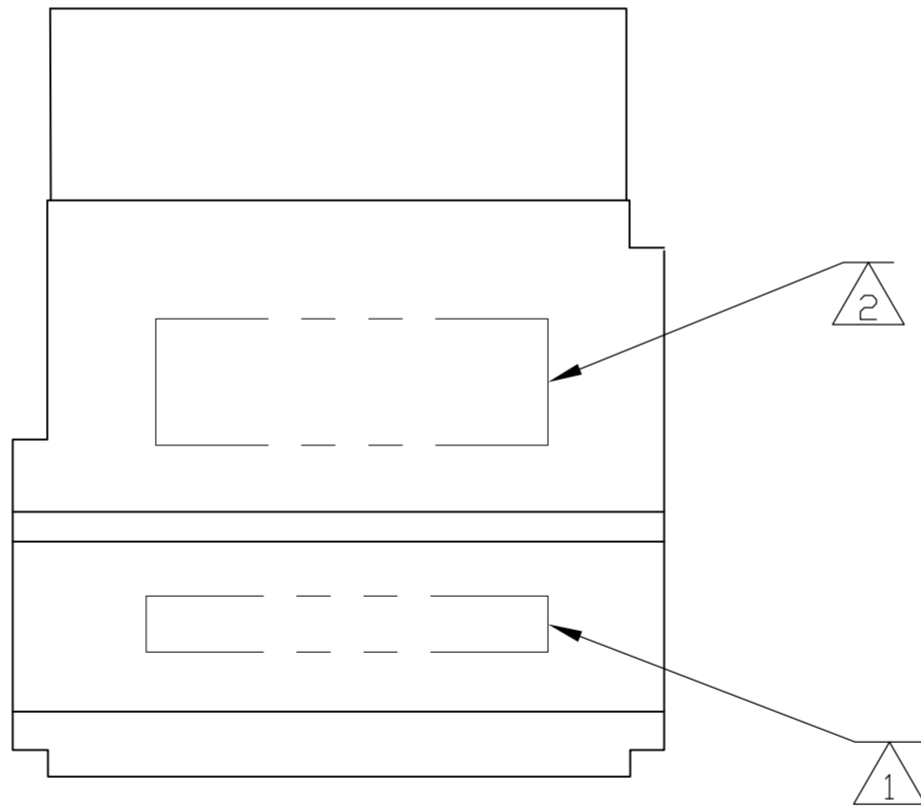
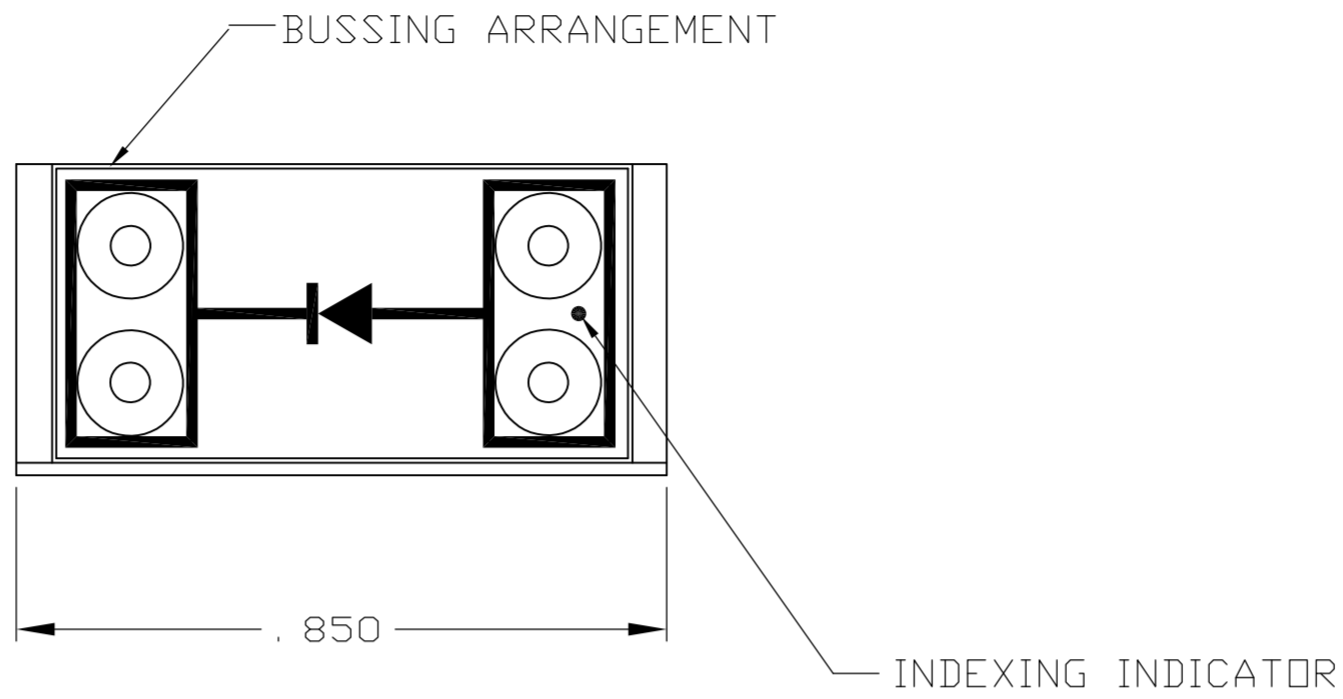
Address: A1208, Overseas Decoration Building, #122 Zhenhua RD., Futian, Shenzhen, China



THIS DRAWING IS UNPUBLISHED. RELEASED FOR PUBLICATION
 © COPYRIGHT BY TYCO ELECTRONICS CORPORATION. ALL RIGHTS RESERVED.

LDC		DIST		REVISIONS			
P	LTR	DESCRIPTION	DATE	DWN	APVD		
	C	REV PER ECD 08-022704	23OCT08	PY	DE		

DESCRIPTION	MATERIAL	FINISH
MODULE ASSEMBLY	DAP PER MIL-M14	COLOR: RED
GROMMET	FLOURSILICONE 40/50 PER MIL-R-25988	COLOR: NATURAL
CONTACT SOCKET	BERYLLIUM COPPER ASTM-B-194	GOLD PLATE PER ASTM-B-488
RETAINING CLIP	BERYLLIUM COPPER ASTM-B-194 OR STAINLESS STEEL PER QQ-S-766	NONE
DIODE	JAN1N5618 ⁴	NONE



- ¹ MODULE ASSEMBLY MARKED WITH "AMP", AMP PART NO. AND DATE CODE IN AREA SHOWN
- ² MODULE ASSEMBLY MARKED WITH CUSTOMER PART NO. 12220B16E09-204 IN AREA SHOWN
- ³ ROLLS-ROYCE QUALITY SPECIFICATION CQC-103 IS INVOKED ON -1 ONLY.
- ⁴ DIODE MQ1N5618, MX1N5618 OR MXV1N5618 MAY BE SUBSTITUTED FOR JAN1N5618. DIODE MAY BE A COMMERCIAL DIODE THAT HAS BEEN UP-SCREENED TO MEET THE REQUIREMENTS OF JAN1N5618

¹	5-591864-1
¹ ² ³	591864-1
MARKING	PART NO.

THIS DRAWING IS A CONTROLLED DOCUMENT.		DWN	J. MECK	10-26-92	AMP Tyco Electronics Corporation Harrisburg, PA 17105-3608	
DIMENSIONS: INCHES		CHK	R. RYAN	6-23-93	NAME	
TOLERANCES UNLESS OTHERWISE SPECIFIED:		APVD	R. RYAN	6-23-93	MODULE FEED-BACK ASSY, SIZE 16, TJ	
0 PLC	± -	PRODUCT SPEC	-			
1 PLC	± -	APPLICATION SPEC	-			
2 PLC	± -	WEIGHT	-			
3 PLC	± .005	SCALE	A2 00779 C-591864			
4 PLC	± -	SHEET	1 OF 1			
ANGLES	± -	REV	C			
FINISH	-	CUSTOMER DRAWING				