



Chipsmall Limited consists of a professional team with an average of over 10 year of expertise in the distribution of electronic components. Based in Hongkong, we have already established firm and mutual-benefit business relationships with customers from,Europe,America and south Asia,supplying obsolete and hard-to-find components to meet their specific needs.

With the principle of "Quality Parts,Customers Priority,Honest Operation,and Considerate Service",our business mainly focus on the distribution of electronic components. Line cards we deal with include Microchip,ALPS,ROHM,Xilinx,Pulse,ON,Everlight and Freescale. Main products comprise IC,Modules,Potentiometer,IC Socket,Relay,Connector.Our parts cover such applications as commercial,industrial, and automotives areas.

We are looking forward to setting up business relationship with you and hope to provide you with the best service and solution. Let us make a better world for our industry!



Contact us

Tel: +86-755-8981 8866 Fax: +86-755-8427 6832

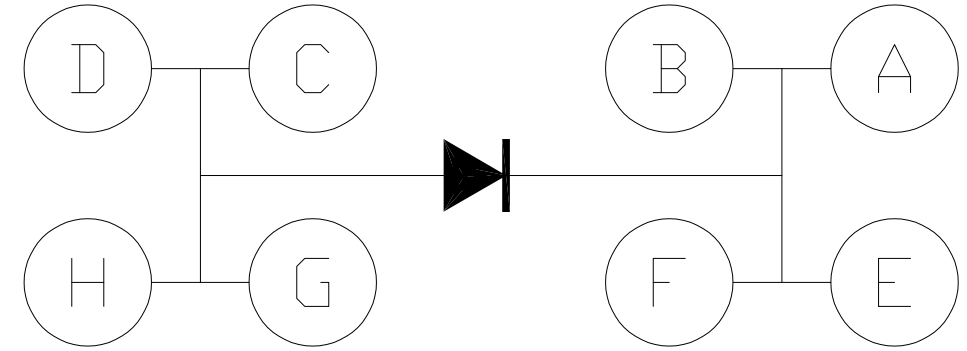
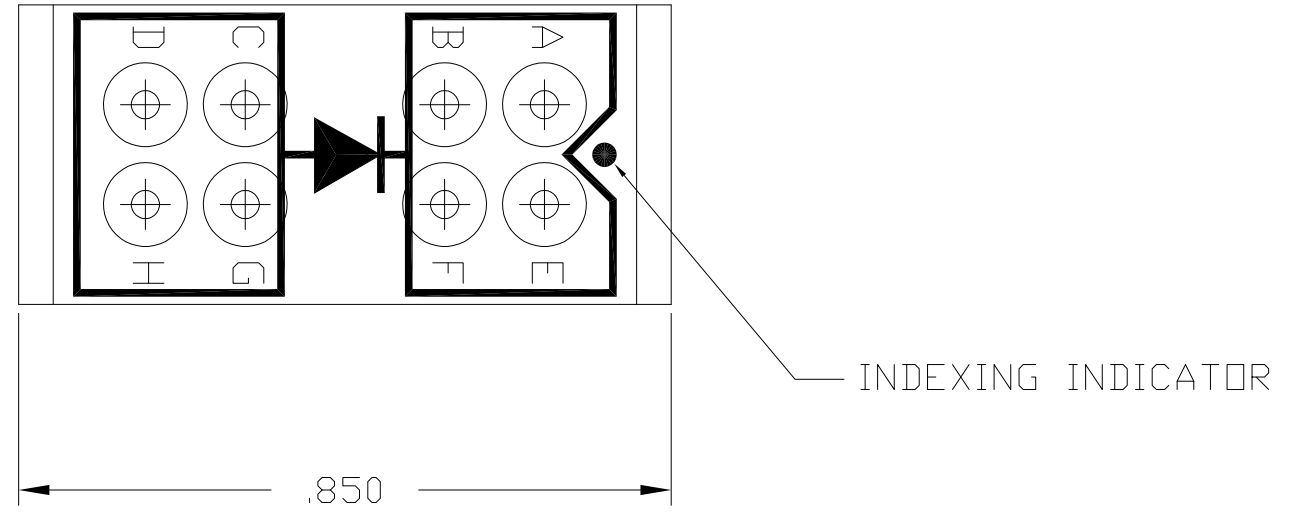
Email & Skype: info@chipsmall.com Web: www.chipsmall.com

Address: A1208, Overseas Decoration Building, #122 Zhenhua RD., Futian, Shenzhen, China

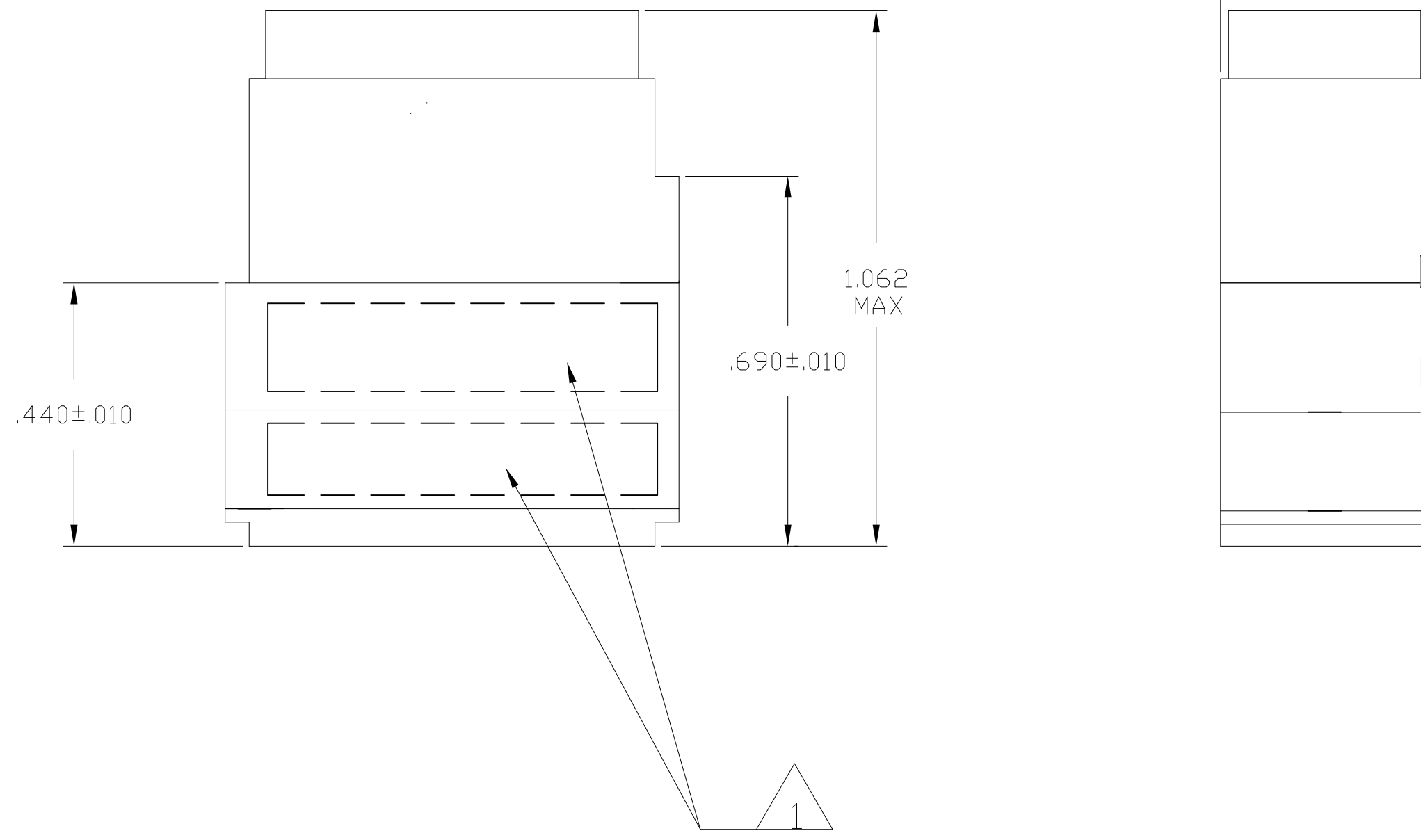


THIS DRAWING IS UNPUBLISHED.		RELEASED FOR PUBLICATION
© COPYRIGHT BY TYCO ELECTRONICS CORPORATION. ALL INTERNATIONAL RIGHTS RESERVED.		
DESCRIPTION	MATERIAL	FINISH
GROMMET	FLUOROSILICONE RUBBER	COLOR: BLUE
MODULE ASSEMBLY	THERMOSET EPOXY	COLOR: BLACK
CONTACT, SOCKET ASSEMBLY	BERYLLIUM COPPER PER ASTM B-194	PER MIL-T-81714
CLIP CONTACT RETAINING	BERYLLIUM COPPER PER ASTM B-194 OR STAINLESS STEEL PER QQ-S-766	NONE
DIODE	JAN1N5418	—

LDC	DIST	REVISIONS					
DF	AO	P	LTR	DESCRIPTION	DATE	DWN	APVD
		A		REV PER ECD 08-000580	15JAN2009	PK	DE



SCHEMATIC DIAGRAM



1 MODULE ASSEMBLY MARKED WITH "AMP", AMP PART NO., AND DATE CODE.

591870-1

THIS DRAWING IS A CONTROLLED DOCUMENT.		DWN N. FRITZ 04-6-94	Tyco Electronics Corporation Harrisburg, PA 17105-3608	
DIMENSIONS: INCHES		CHK R. RYAN 04-6-94	NAME MODULE ASSY, FEEDBACK W/ DIODE, SIZE 20	
TOLERANCES UNLESS OTHERWISE SPECIFIED: 0 PLC ± - 1 PLC ± - 2 PLC ± - 3 PLC ± .005 4 PLC ± - ANGLES ± -		APVD R. RYAN 04-6-94	PRODUCT SPEC APPLICATION SPEC	
MATERIAL SEE TABLE		FINISH SEE TABLE	WEIGHT -	RESTRICTED TO -
CUSTOMER DRAWING		SCALE 4: 1	SHEET 1 OF 1	REV A