



Chipsmall Limited consists of a professional team with an average of over 10 year of expertise in the distribution of electronic components. Based in Hongkong, we have already established firm and mutual-benefit business relationships with customers from,Europe,America and south Asia,supplying obsolete and hard-to-find components to meet their specific needs.

With the principle of "Quality Parts,Customers Priority,Honest Operation,and Considerate Service",our business mainly focus on the distribution of electronic components. Line cards we deal with include Microchip,ALPS,ROHM,Xilinx,Pulse,ON,Everlight and Freescale. Main products comprise IC,Modules,Potentiometer,IC Socket,Relay,Connector.Our parts cover such applications as commercial,industrial, and automotives areas.

We are looking forward to setting up business relationship with you and hope to provide you with the best service and solution. Let us make a better world for our industry!



Contact us

Tel: +86-755-8981 8866 Fax: +86-755-8427 6832

Email & Skype: info@chipsmall.com Web: www.chipsmall.com

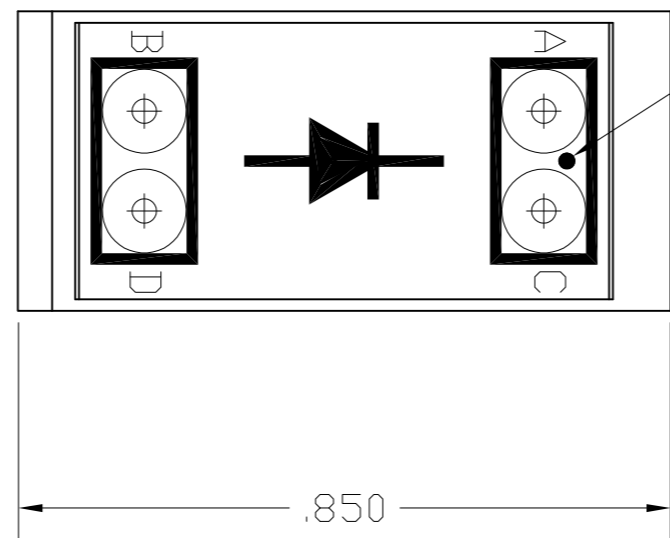
Address: A1208, Overseas Decoration Building, #122 Zhenhua RD., Futian, Shenzhen, China



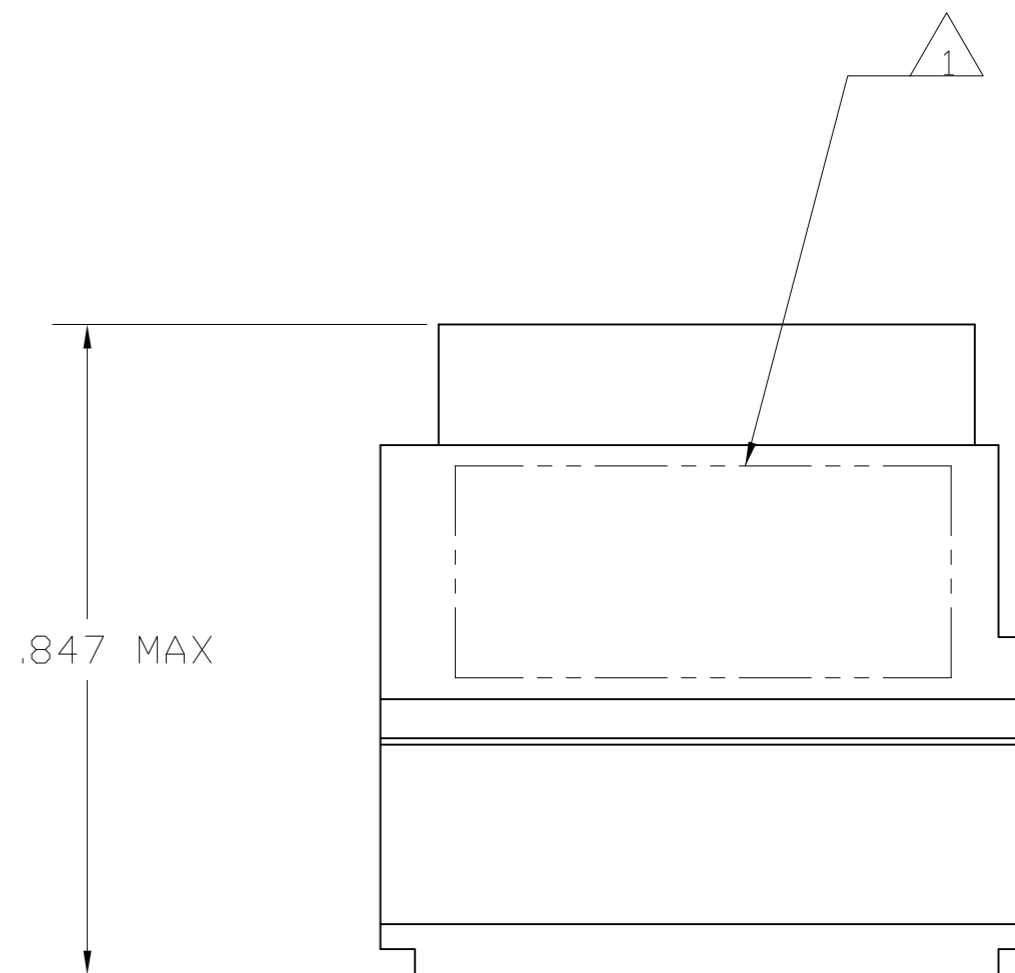
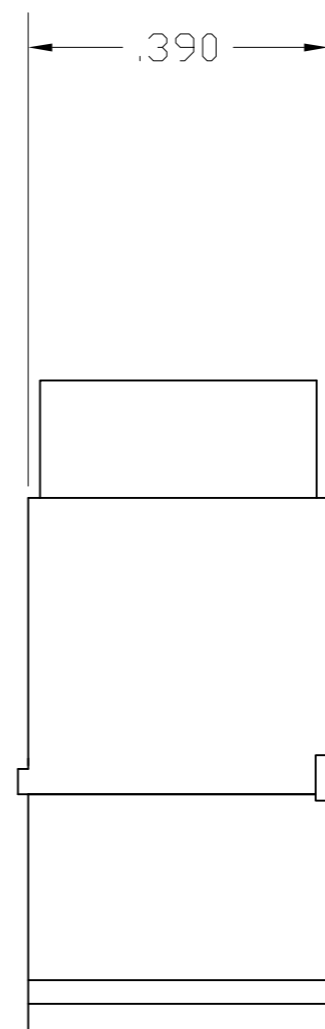
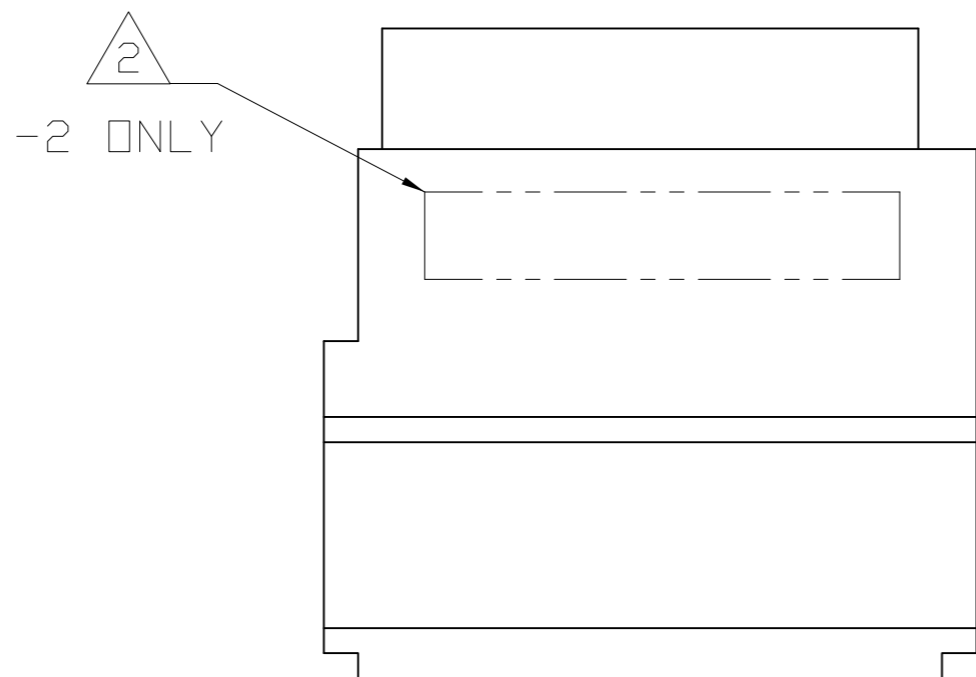
THIS DRAWING IS UNPUBLISHED. RELEASED FOR PUBLICATION
 © COPYRIGHT BY TYCO ELECTRONICS CORPORATION. ALL RIGHTS RESERVED.

| LDC | | DIST | | REVISIONS | | | |
|-----|----|------|-----|-----------------------|---------|-----|------|
| DF | AO | P | LTR | DESCRIPTION | DATE | DWN | APVD |
| | | C | | REV PER ECD 08-008633 | 4-29-08 | CT | DE |

| DESCRIPTION | MATERIAL | FINISH |
|--|--|-------------------------------|
| MODULE ASSEMBLY | D.A.P. PER MIL-M14 | COLOR: GREEN |
| GROMMET | FLOURSILICONE 40/50 PER MIL-R-25988 | COLOR: GREEN |
| CONTACT SOCKET | BERYLLIUM COPPER ASTM-B194 | GOLD PLATE PER MIL-G-45204 |
| RETAINING CLIP | BERYLLIUM COPPER ASTM-B194 OR STAINLESS STEEL PER QQ-S-766 | NONE |
| DIODE | JANTX1N5552 ³ | NONE |
| SEALING PLUGS QTY 2 | F.E.P. PER MIL-P-19468 | COLOR: RED |
| PIN CONTACT QTY = 4 P/N M39029/1-101 | COPPER ALLOY PER MIL-C-39029 | GOLD PLATE PER MIL-G-45204 |



INDEXING INDICATOR



- ¹ MARK MODULE ASSEMBLY WITH "AMP", AMP PART NO. AND DATE CODE
- ² MARK MODULE ASSEMBLY WITH CUSTOMER PART NO.
- ³ DIODE MAY BE A COMMERCIAL DIODE THAT HAS BEEN SCREENED TO MEET THE REQUIREMENTS OF JANTX1N5552.

| | | |
|-------------|----------------------|-----------------|
| JANTX1N5552 | 525-11207-4 | 591896-2 |
| JANTX1N5552 | ----- | 591896-1 |
| TYPE | CUSTOMER PART NUMBER | AMP PART NUMBER |

| DIMENSIONS INCHES | | TOLERANCES UNLESS OTHERWISE SPECIFIED: | | MATERIAL | | FINISH | |
|-------------------|--------|--|--------|-----------|-----------|------------------|--------|
| 0 PLC | ± - | 0 | ± - | SEE TABLE | SEE TABLE | WEIGHT | - |
| 1 PLC | ± - | 1 | ± - | | | CUSTOMER DRAWING | |
| 2 PLC | ± - | 2 | ± - | | | SCALE | 4: 1 |
| 3 PLC | ± .005 | 3 | ± .005 | | | SHEET | 1 OF 1 |
| 4 PLC | ± - | 4 | ± - | | | REV | C |
| ANGLES | ± - | | | | | | |

THIS DRAWING IS A CONTROLLED DOCUMENT.
 DWN N. FRITZ 30AUG00
 CHK R. RYAN 1-31-94
 APVD R. RYAN 1-31-94
 PRODUCT SPEC
 APPLICATION SPEC
 NAME Tyco Electronics Corporation Harrisburg, PA 17105-3608
 MODULE FEED-BACK ASSEMBLY, SIZE 20, TJ WITH JANTX1N5552 DIODE

| SIZE | CAGE CODE | DRAWING NO | RESTRICTED TO |
|------|-----------|------------|---------------|
| A2 | 00779 | C-591896 | - |