



Chipsmall Limited consists of a professional team with an average of over 10 year of expertise in the distribution of electronic components. Based in Hongkong, we have already established firm and mutual-benefit business relationships with customers from,Europe,America and south Asia,supplying obsolete and hard-to-find components to meet their specific needs.

With the principle of "Quality Parts,Customers Priority,Honest Operation,and Considerate Service",our business mainly focus on the distribution of electronic components. Line cards we deal with include Microchip,ALPS,ROHM,Xilinx,Pulse,ON,Everlight and Freescale. Main products comprise IC,Modules,Potentiometer,IC Socket,Relay,Connector.Our parts cover such applications as commercial,industrial, and automotives areas.

We are looking forward to setting up business relationship with you and hope to provide you with the best service and solution. Let us make a better world for our industry!



Contact us

Tel: +86-755-8981 8866 Fax: +86-755-8427 6832

Email & Skype: info@chipsmall.com Web: www.chipsmall.com

Address: A1208, Overseas Decoration Building, #122 Zhenhua RD., Futian, Shenzhen, China



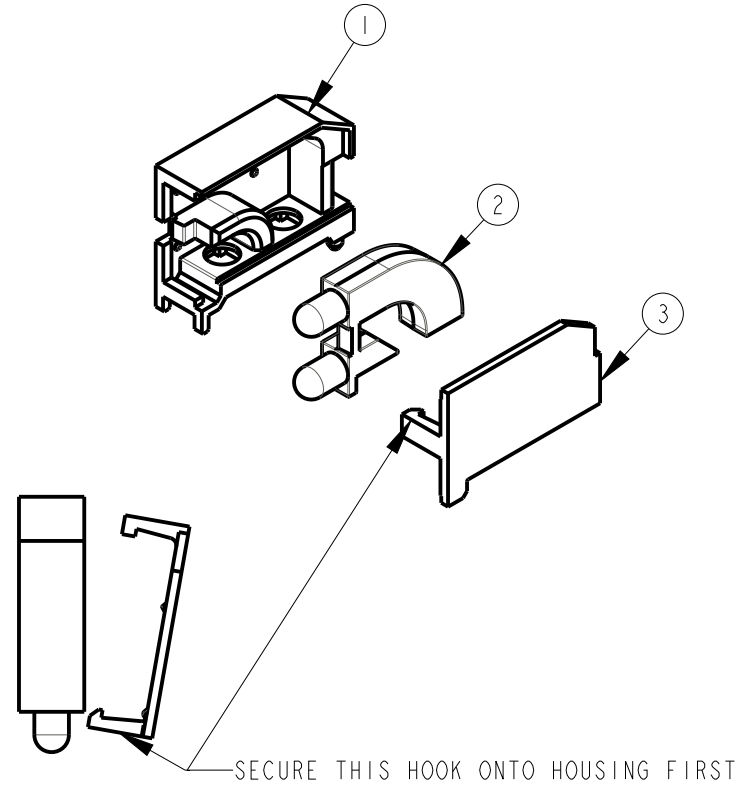
RoHS COMPLIANT 592-0002F

Part Numbers with the "F" suffix ending are RoHS Compliant. Packaging is marked with "RoHS Compliant" label or equivalent markings. These parts can be used with RoHS reflow profile. Parts can be wave soldered, dip soldered or hand soldered using typical lead-free soldering process with max 260°C temp. for 5 sec.

REV	ECN NO	REVISIONS	DRN	CKD	APP	DATE
A	—	NEW RELEASE	WFB	JTD	N.O.	10-15-13

ASSEMBLY INSTRUCTIONS


1. PLACE ITEM 2 INTO ITEM 1.
2. ATTACH ITEM 3 ONTO ITEM 1 BY SECURING THE HOOK IN THE FRONT OF ITEM 1 FIRST, THEN SNAP THE BACK HOOK TO COMPLETE THE ASSEMBLY.



NOTES:

1. DIALIGHT PART NUMBER; 592-0002F.
2. DESIGNED TO BE USED WITH PLCC2 OR PLCC4 LEADS. (LEDS NOT INCLUDED IN THIS KIT)
3. COMPONENTS CANNOT BE PURCHASED SEPERATELY, MUST BE PURCHASED AS KIT.

ITEM	QTY	DESCRIPTION
3	10	COVER
2	10	LENS
1	10	HOUSING

THIS DRAWING AND THE CONTENTS HEREIN ARE CONFIDENTIAL AND THE SOLE PROPERTY OF DIALIGHT. REPRODUCTION OF THIS DRAWING OR CONSTRUCTION OF ANY PARTS WITHIN THIS DRAWING ARE FORBIDDEN WITHOUT THE WRITTEN CONSENT OF DIALIGHT.		
SCALE: 6.000 ALL DIM'S IN: INCHES (MM)	DRAWING NUMBER C-18070	REV A
TOLERANCES: UNLESS OTHERWISE SPECIFIED FRACTIONS: ±1/64 DECIMALS (.XX): ±.01 DECIMALS (.XXX): ±.005 DECIMALS (.XXXX): ±.0005 ANGLES: ±1°	TITLE BI-LEVEL PRISM KIT	
FINISH:	MATERIAL	
FSCM 83330	 1501 ROUTE 34 SOUTH FARMINGDALE, NJ 07727	
SHEET 1 OF 1 FAMILY TABLE:		