



Chipsmall Limited consists of a professional team with an average of over 10 year of expertise in the distribution of electronic components. Based in Hongkong, we have already established firm and mutual-benefit business relationships with customers from,Europe,America and south Asia,supplying obsolete and hard-to-find components to meet their specific needs.

With the principle of “Quality Parts,Customers Priority,Honest Operation,and Considerate Service”,our business mainly focus on the distribution of electronic components. Line cards we deal with include Microchip,ALPS,ROHM,Xilinx,Pulse,ON,Everlight and Freescale. Main products comprise IC,Modules,Potentiometer,IC Socket,Relay,Connector.Our parts cover such applications as commercial,industrial, and automotives areas.

We are looking forward to setting up business relationship with you and hope to provide you with the best service and solution. Let us make a better world for our industry!



Contact us

Tel: +86-755-8981 8866 Fax: +86-755-8427 6832

Email & Skype: info@chipsmall.com Web: www.chipsmall.com

Address: A1208, Overseas Decoration Building, #122 Zhenhua RD., Futian, Shenzhen, China





Surface Mount LED Selector Guide

Prism® CBI® LED Circuit Board Indicators

Micro LED® Surface Mount LEDs



Prism® CBI®

Dialight's Prism indicators are the industry's only SMD indicator series designed to survive 260°C peak reflow temperature AND provide the aesthetic appeal of a diffused lens for enhanced viewing. Ideal for limited-space applications and board-edge mounting, the Prism Series is available in a variety of package sizes including single level, bi-level, and tri-level configuration and in 2mm and 3mm lens size. The integral light pipes used in Prism are engineered for maximum light transmission and minimal light bleed while the diffused lens is also ideal for bi-color and tri-color applications where color-mixing is desired.



Micro LED® SMD LED

Dialight's Micro LED Surface Mount LED product line provides one of the industry's widest range of discrete LEDs. Packaged in ChiplED, PLCC, right-angle and reverse-mount configurations, Dialight offers a full range of colors and intensities, including the latest AlInGaP and InGaN technology. With such a wide variety of mounting styles, colors, intensities, viewing angles and lens features, Micro LED series is sure to include a cost-effective solution to any application.

Contact your Authorized Dialight Distributor or local Sales Representative for more information or samples. <http://www.dialight.com/WhereToBuy/Status-Indication>

Index

02 Product Overview

Prism® CBI®

- 03 591 Series
- 04 592 Series
- 05 593 Series
- 06 595 Series

Micro LED® SMD LED

- 07 Micro LED® SMD LED
- 09 PLCC
- Reverse Mount
- Right Angle
- 10 Right Angle

Drawings

- 11 Micro LED® SMD
- 12 Micro LED® SMD
- Right Angle
- 13 Reverse Mount
- PLCC
- 591Series pad layouts

New Products

- 14 Low Current LEDs

Features and Benefits

Prism® CBI®

- Compatible with automatic pick-and-place equipment for reduced installation costs
- RoHS Compliant
- Available with 2mA low current LED
- Eliminates wave soldering process
- Black, low-profile PPA housing enhances the contrast ratio for better clarity

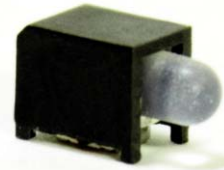
Micro LED® SMD LED

- Can be used with Dialight's wide-range of Optopipe® series light pipes.
- Package sizes include 0603, 0606, 0805, 1206, 1208, 1210, 1616
- Compatible with infrared reflow processes and JEDEC standards
- Helps to eliminate mixed technology pc board processing
- RoHS compliant
- Available in 2mA low current versions

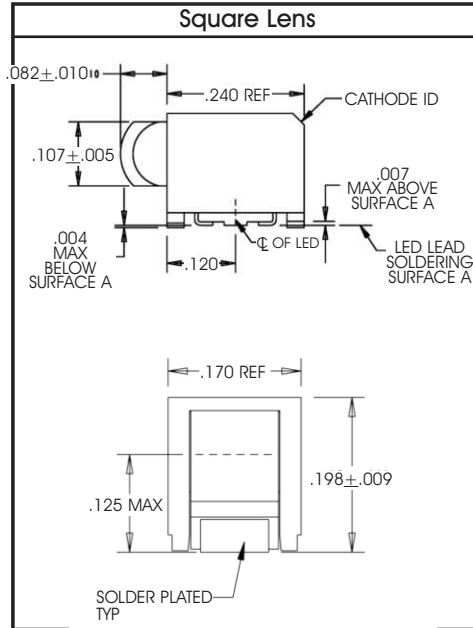
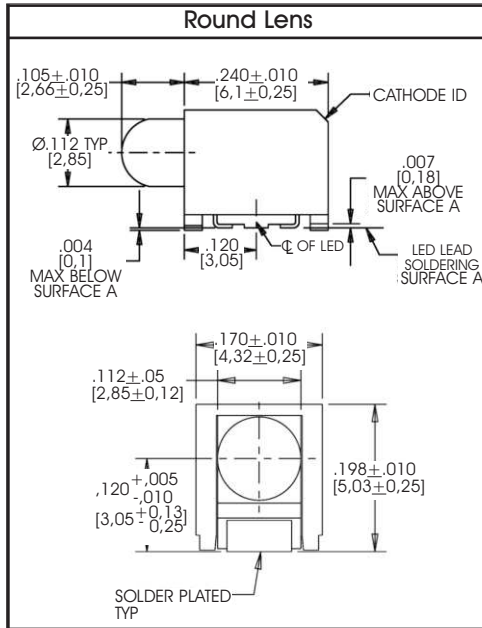
Typical Applications

- Data center Infrastructure
 - Servers - Rack mount; blade; tower
 - Storage – High-performance storage subsystems for high- end enterprise
- Networking Equipment for enterprise data centers and telecom communication centers
 - Switches, routers, and network control equipment interconnected using fiber optic and high speed wiring
- Storage Networking Hardware
 - Fiber channel host bus adapter cards (HBAs); converged network adapter cards (CNAs); iSCSI adapter cards; InfiniBand adapter cards
- Next-Gen Wireless
 - Wireless Infrastructure
- Electronic Test & Measurement Instruments
- Communications Testing Equipment
- Process controls
- Automation
- Medical
- Handheld devices
- Battery powered applications (2mA version)

The following pages are organized as a product overview. Additional information is available at www.dialight.com including detailed specs and schematics, 3D models, and operating characteristics. The most recent version of this selector guide can be found at: http://www.dialight.com/Assets/Brochures_And_Catalogs/Indication/SMT_Selector_Guide.pdf



Specifications¹



¹For pad layout please see page 13

Order Code

5 9 1 - X X 0 X - X X X F

Color Lens Type Current RoHS Compliant Package Options

| Current | |
|--------------|--------------------------|
| Current Code | Current Type |
| 1 | Standard |
| 4 | Low Current ² |

²Detail on page 14

| Lens Type | |
|-----------|-----------|
| Lens Code | Lens Type |
| 0 | Round |
| 1 | Square |

| Packaging Type | |
|----------------|----------------|
| Packaging Code | Packaging |
| 02 | 20 piece strip |
| 07 | 7" Reel |
| 13 | 13" Reel |

| Color Field | | | | Operating Characteristics | | | |
|-------------|--------|---------------|----------------|---------------------------|----------------------------|-------------------------------|--------------------------|
| Color Code | Color | Material | Feature | Test Condition | V _f Typ (Volts) | Type Luminous Intensity (mcd) | Type Dom Wavelength (nm) |
| 20* | Red | GaAsP/GaP | Hi. Efficiency | I _f = 10mA | 2.0 | 5.0 | 628 |
| 21 | Red | AlGaAs | ----- | I _f = 10mA | 1.8 | 23.9 | 645 |
| 22 | Green | AlGaP | Hi. Intensity | I _f = 10mA | 2.1 | 9.1 | 570 |
| 23* | Green | GaP | ----- | I _f = 10mA | 2.0 | 4.0 | 570 |
| 24* | Yellow | GaAsP/GaP | ----- | I _f = 10mA | 2.0 | 5.0 | 587 |
| 25* | Orange | GaAsP | ----- | I _f = 10mA | 2.0 | 13.7 | 606 |
| 26 | Blue | InGaN | ----- | I _f = 20mA | 3.5 | 6.0 | 465 |
| 27 | Yellow | AlInGaP | ----- | I _f = 10mA | 2.0 | 33.6 | 587 |
| 28 | White | InGaN | ----- | I _f = 20mA | 3.5 | 19.0 | x .33 y .33 |
| 30 | R/G | GaAsP | ----- | I _f = 10mA | 2.0/2.0 | 6.5/8.0 | 628/570 |
| 31 | Y/G | GaAsP/GaP | ----- | I _f = 10mA | 2.0/2.0 | 6.5/8.0 | 586/570 |
| 32 | R/Y | AlGaP/AlGaP | ----- | I _f = 10mA | 2.0/2.0 | 6.5/6.5 | 528/586 |
| 34 | R/B | AlInGaP/GaN | ----- | I _f = 20mA | 1.9/3.9 | 30/5 | 626/470 |
| 35 | R/G/B | AlInGaP/InGaN | ----- | I _f = 20mA | 2.6/4.5/2.6 | 10/5/16 | 645/466/570 |
| 36 | O/G | GaAsP/GaP | ----- | I _f = 10mA | 2.0/2.0 | 5.5/8.5 | 606/570 |

Low current version only available in marked colors (). See page 14 for details.

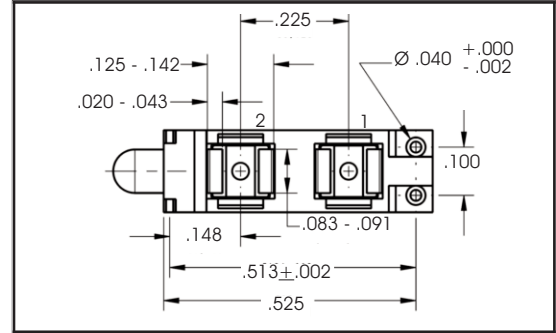
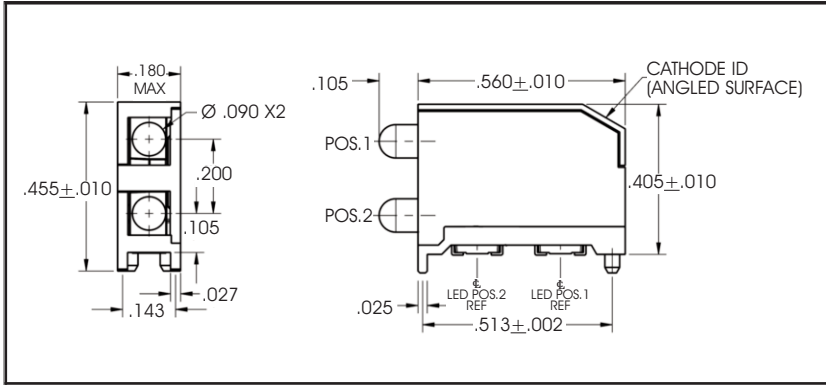


592 Series Prism® CBI®

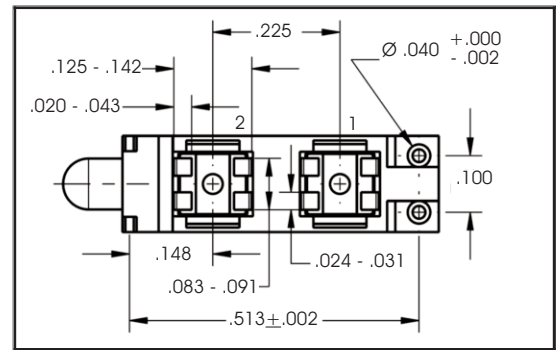
Bi-Level Surface Mount LED Specifications



Single Color

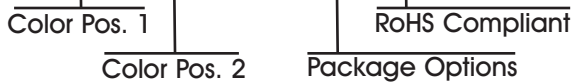


Multi-Color



Order Code

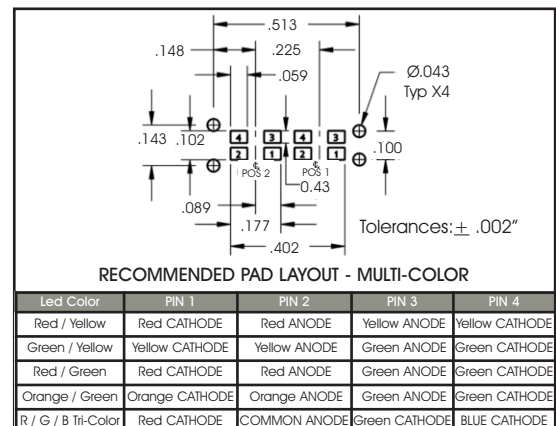
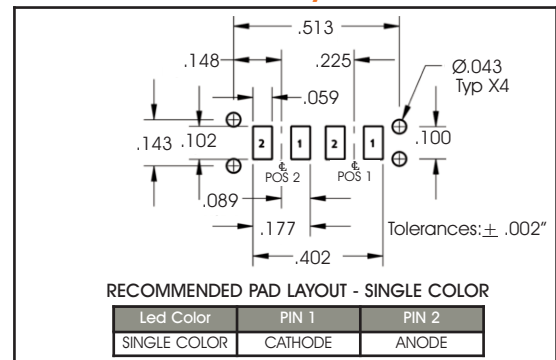
5 9 2 - X X X X - 3 X X F



| Packaging Type | |
|----------------|----------------|
| Packaging Code | Packaging |
| 02 | 10 piece strip |
| 13 | 13" Reel |

| Color Field | | | | Operating Characteristics | | | |
|-------------|--------|---------------|----------------|---------------------------|----------------|-------------------------------|-------------------------|
| Color Code | Color | Material | Feature | Test Condition | Vf Typ (Volts) | Type Luminous Intensity (mcd) | Typ Dom Wavelength (nm) |
| 20 | Red | GaAsP/GaP | Hi. Efficiency | If = 10mA | 2.0 | 3 | 628 |
| 21 | Red | AlGaAs | ----- | If = 10mA | 1.8 | 9 | 645 |
| 22 | Green | AlGaP | Hi. Intensity | If = 10mA | 2.0 | 6 | 570 |
| 23 | Green | GaP | ----- | If = 10mA | 2.0 | 4 | 570 |
| 24 | Yellow | GaAsP/GaP | ----- | If = 10mA | 2.0 | 2 | 587 |
| 25 | Orange | GaAsP | ----- | If = 10mA | 2.0 | 2 | 606 |
| 26 | Blue | InGaN | ----- | If = 10mA | 3.5 | 6 | 465 |
| 27 | Yellow | AlInGaP | ----- | If = 20mA | 2.0 | 60 | 587 |
| 28 | White | InGaN | ----- | If = 10mA | 3.1 | 34 | x .33 y .33 |
| 29 | Green | InGaN | ----- | If = 20mA | 3.7 | 56 | 525 |
| 30 | R/G | GaAsP | ----- | If = 10mA | 2.0/2.0 | 3/4 | 628/570 |
| 31 | Y/G | GaAsP/GaP | ----- | If = 10mA | 2.0/2.0 | 2/3 | 590/570 |
| 32 | R/Y | AlGaP/AlGaP | ----- | If = 20mA | 2.0/2.0 | 21/34 | 633/587 |
| 34 | R/B | AlInGaP/InGaN | ----- | If = 10mA | 1.9/3.0 | 21/24 | 625/467 |
| 35 | R/G/B | AlInGaP/InGaN | ----- | If = 20mA | 1.9/3.4/3.4 | 31/84/16 | 626/525/470 |
| 36 | O/G | GaAsP/GaP | ----- | If = 10mA | 2.0/2.0 | 3/4 | 606/570 |

Pad Layouts



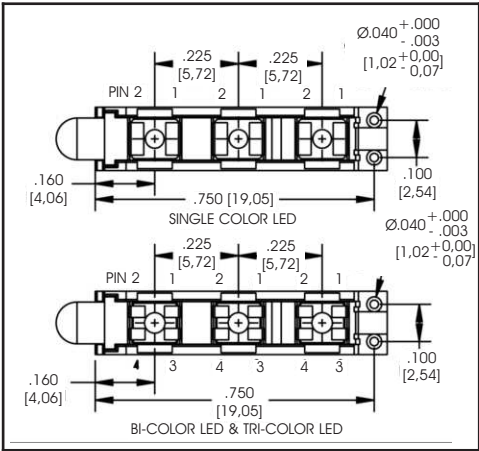
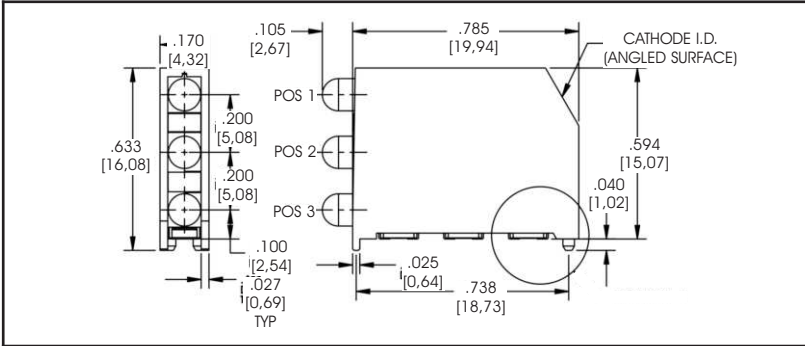


593 Series Prism® CBI®

Tri-Level Surface Mount LED



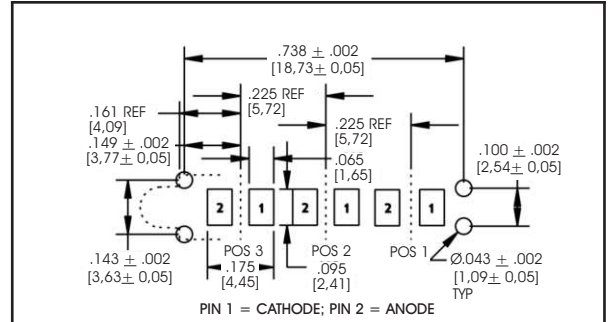
Specifications



HOUSING SURFACE PERMITTED TO BE .007 [0,17] MAX ABOVE SURFACE 'A' LED LEADS

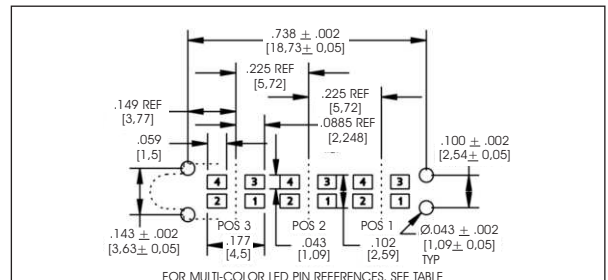
HOUSING SURFACE PERMITTED TO BE .004 [0,1] MAX ABOVE SURFACE 'A' LED LEADS

Pad Layouts



RECOMMENDED PAD LAYOUT - SINGLE COLOR

| Packaging Type | |
|----------------|---------------|
| Packaging Code | Packaging |
| 02 | 5 piece strip |
| 13 | 13" Reel |



FOR MULTI-COLOR LED PIN REFERENCES, SEE TABLE

RECOMMENDED PAD LAYOUT - MULTI - COLOR

| MULTI-COLOR LED PIN REFERENCES | | | | |
|--------------------------------|----------------|--------------|---------------|----------------|
| LED Color | PIN 1 | PIN 2 | PIN 3 | PIN 4 |
| R/Y BI-COLOR | RED CATHODE | RED ANODE | YELLOW ANODE | YELLOW CATHODE |
| Y/G BI-COLOR | YELLOW CATHODE | YELLOW ANODE | GREEN ANODE | GREEN CATHODE |
| R/G BI-COLOR | RED CATHODE | RED ANODE | GREEN ANODE | GREEN CATHODE |
| R/G/B BI-COLOR | RED CATHODE | COMMON ANODE | GREEN CATHODE | BLUE CATHODE |

Order Code

5 9 3 - X X X X - 0 X X F

Color Pos. 1 Color Pos. 3 RoHS Compliant
 Color Pos. 2 Package Options

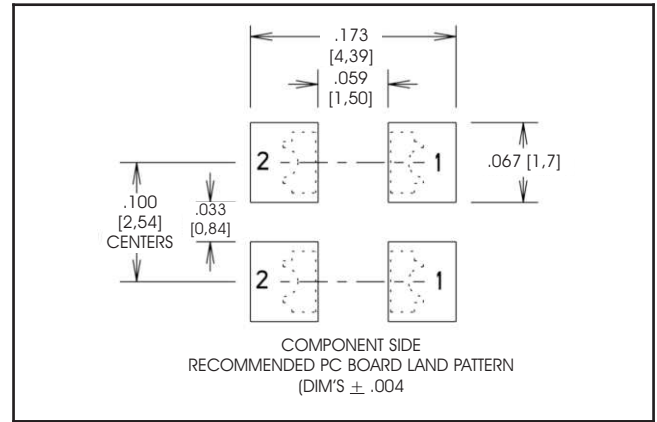
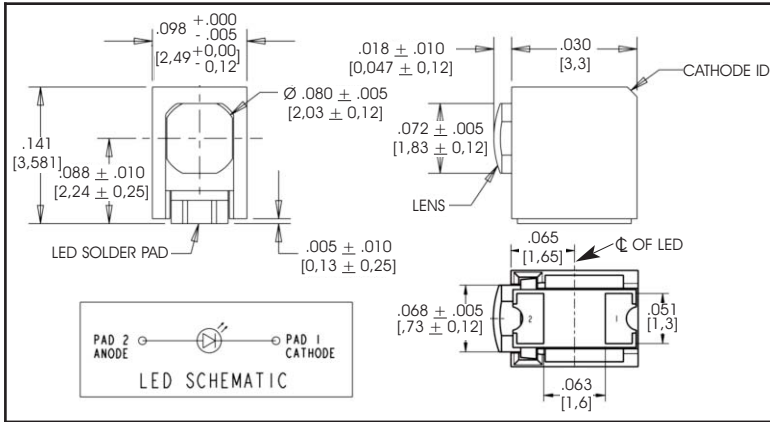
| Color Field | | | | Operating Characteristics | | | |
|-------------|--------|---------------|----------------|---------------------------|----------------|--|-------------------------|
| Color Code | Color | Material | Feature | Test Condition | Vf Typ (Volts) | Typ Luminous Intensity (mcd) If = 20mA | Typ Dom Wavelength (nm) |
| 20 | Red | AlInGaP | Hi. Efficiency | If = 10mA | 2.0 | 6.0 | 628 |
| 21 | Red | AlGaAs | ----- | If = 10mA | 1.75 | 29.0 | 645 |
| 22 | Green | AlInGaP | Hi. Intensity | If = 10mA | 2.0 | 16.0 | 570 |
| 23 | Green | AlInGaP | ----- | If = 10mA | 2.0 | 11.0 | 570 |
| 24 | Yellow | GaAsP/GaP | ----- | If = 10mA | 2.0 | 11.0 | 587 |
| 26 | Blue | InGaN | ----- | If = 10mA | 3.5 | 7.0 | 465 |
| 27 | Yellow | AlInGaP | ----- | If = 10mA | 2.0 | 80.0 | 587 |
| 28 | White | InGaN | ----- | If = 10mA | 3.1 | 85.0 | x .33 y .33 |
| 29 | Green | InGaN | ----- | If = 20mA | 3.4 | 150.0 | 525 |
| 30 | R/G | GaAsP | ----- | If = 10mA | 2.0/2.0 | 7/10 | 628/570 |
| 31 | Y/G | GaAsP/GaP | ----- | If = 10mA | 2.0/2.0 | 6/10 | 590/570 |
| 32 | R/Y | AlGaP/AlGaP | ----- | If = 20mA | 2.0/2.0 | 45/70 | 633/587 |
| 35 | R/G/B | AlInGaP/InGaN | ----- | If = 20mA | 1.9/3.4/3.4 | 35/70/20 | 626/525/470 |

595 Series

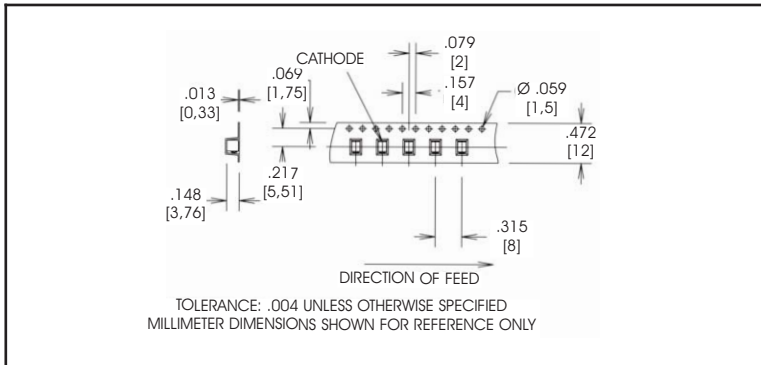
2mm Single Level Prism[®] CBI[®]



Specifications



Taping Specification



Order Code

595 - XXXX - 0XX F

Color Code

RoHS Compliant



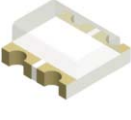



Package Options

| Color Field | | | | Operating Characteristics | | | |
|-------------|--------|----------|---------------|---------------------------|----------------------------|------------------------------|-------------------------|
| Color Code | Color | Material | Feature | Test Condition | V _f Typ (Volts) | Typ Luminous Intensity (mcd) | Typ Dom Wavelength (nm) |
| 2101 | Red | AlGaAs | ---- | 20 mA | 1.7 | 25.0 | 647 |
| 2201 | Green | AllnGaP | Hi. Intensity | 20 mA | 2.1 | 70.0 | 572 |
| 2301 | Green | AllnGaP | ---- | 20 mA | 2.1 | 11.0 | 572 |
| 2401 | Yellow | AllnGaP | ---- | 20 mA | 2.2 | 9.0 | 586 |
| 2501 | Orange | AllnGaP | ---- | 20 mA | 2.2 | 9.0 | 606 |
| 2602 | Blue | InGaN | ---- | 20 mA | 3.3 | 80.0* | 470 |
| 2701 | Yellow | AllnGaP | ---- | 20 mA | 2.0 | 41.0* | 590 |
| 2902 | Green | InGaN | ---- | 20 mA | 3.3 | 300.0* | 525 |



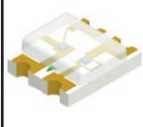

| Packaging Type | |
|----------------|----------------|
| Packaging Code | Packaging |
| 02 | 20 piece strip |
| 07 | 7" Reel |
| 13 | 13" Reel |

*Test condition = 10mA

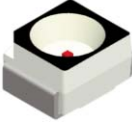

Micro LED® SMD LED

| ChipLED | Dialight Part Number | Color | Material | Dom. λ Typ. (nm) | Intensity Typ. (mcd) | Forward Voltage Typ. (V) | Viewing Angle | Height | Test Current (mA) | Fig | Type |
|--|----------------------|---------------------------|-------------------------|------------------|----------------------|--------------------------|---------------|--------|-------------------|--------------|--------------|
| 0603 Series Package (1.6mm X 0.8mm X Height) | | | | | | | | | | | |
|  | 597-3326-607F | Green | InGaN | 525 | 150 | 3.4 | 130 | 0.8 | 20 | 1 | Single Color |
| | 597-3607-607F | Blue | InGaN | 470 | 60 | 3.3 | 130 | 0.8 | 20 | 1 | Single Color |
| | 597-5004-407F | Red | AllnGaP | 626 | 50 | 1.9 | 152 | 0.7 | 20 | 1 | Single Color |
| | 597-5112-407F | Red | AlGaAs | 647 | 11.7 | 1.7 | 152 | 0.7 | 20 | 1 | Single Color |
| | 597-5203-407F | Orange | GaAsP | 606 | 3.4 | 2.2 | 152 | 0.7 | 20 | 1 | Single Color |
| | 597-5213-407F | Orange | AllnGaP | 605 | 65 | 1.9 | 152 | 0.7 | 20 | 1 | Single Color |
| | 597-5223-407F | Yellow | AllnGaP | 590 | 65 | 1.9 | 152 | 0.7 | 20 | 1 | Single Color |
| | 597-5312-407F | Green | GaP | 567 | 6.4 | 2.1 | 152 | 0.7 | 20 | 1 | Single Color |
| 597-5412-407F | Yellow-Green | GaP | 572 | 11.7 | 2.1 | 152 | 0.7 | 20 | 1 | Single Color | |
|  | 598-8010-107F | Red | AllnGaP | 635 | 40 | 2.2 | 140 | 0.7 | 20 | 2 | Single Color |
| | 598-8020-107F | Red-Orange | AllnGaP | 625 | 150 | 2 | 140 | 0.7 | 20 | 2 | Single Color |
| | 598-8030-107F | Orange | AllnGaP | 605 | 80 | 2 | 140 | 0.7 | 20 | 2 | Single Color |
| | 598-8040-107F | Yellow | AllnGaP | 593 | 130 | 2 | 140 | 0.7 | 20 | 2 | Single Color |
| | 598-8050-107F | Yellow | AllnGaP | 587 | 130 | 2 | 140 | 0.7 | 20 | 2 | Single Color |
| | 598-8060-107F | Yellow-Green | AllnGaP | 573 | 40 | 2 | 140 | 0.7 | 20 | 2 | Single Color |
| | 598-8070-107F | Green | GaP | 566 | 20 | 3.2 | 140 | 0.7 | 20 | 2 | Single Color |
| | 598-8081-107F | Green | InGaN | 523 | 300 | 3.2 | 140 | 0.7 | 20 | 2 | Single Color |
| 598-8091-107F | Blue | InGaN | 473 | 90 | 3.2 | 140 | 0.7 | 20 | 2 | Single Color | |
| 0606 Series Package (1.6mm X 1.6mm X Height) | | | | | | | | | | | |
|  | 598-8410-207CF | Red / Green | AllnGaP | 635 / 565 | 60 / 40 | 2 / 2 | 140 | 0.7 | 20 | 3 | Bi-Color |
| | 598-8430-207CF | Orange / Green | AllnGaP | 605 / 568 | 100 / 40 | 2 / 2 | 140 | 0.7 | 20 | 3 | Bi-Color |
| | 598-8440-207CF | Yellow / Green | AllnGaP | 590 / 570 | 135 / 50 | 2 / 2 | 140 | 0.7 | 20 | 3 | Bi-Color |
| | 598-8450-207CF | Yellow / Green | AllnGaP / InGaN | 592 / 530 | 120 / 120 | 2 / 3.2 | 140 | 0.7 | 20 | 3 | Bi-Color |
| | 598-8460-207CF | Yellow / Red | AllnGaP | 590 / 640 | 135 / 50 | 2 / 2.2 | 140 | 0.7 | 20 | 3 | Bi-Color |
| | 598-8710-307F | Red / Green / Blue | AllnGaP / InGaN / InGaN | 635 / 525 / 470 | 60 / 120 / 90 | 2 / 3.2 / 3.2 | 140 | 0.7 | 20 | 4 | Tri-Color |
| | 598-8720-307F | Red-Orange / Green / Blue | AllnGaP / InGaN / InGaN | 625 / 525 / 470 | 120 / 150 / 60 | 2 / 3.2 / 3.2 | 140 | 0.7 | 20 | 4 | Tri-Color |
| | 598-8740-307F | Yellow / Green / Blue | AllnGaP / InGaN / InGaN | 590 / 525 / 475 | 110 / 220 / 90 | 2 / 3.2 / 3.2 | 140 | 0.7 | 20 | 4 | Tri-Color |
| 0805 Series Package (2.0mm X 1.25mm X Height) | | | | | | | | | | | |
|  | 597-3003-407F | Red | AllnGaP | 626 | 50 | 1.9 | 150 | 0.8 | 20 | 5 | Single Color |
| | 597-3006-607F | Red | GaP | 630 | 6 | 2.0 | 130 | 1.1 | 10 | 5 | Single Color |
| | 597-3212-407F | Orange | AllnGaP | 605 | 65 | 1.9 | 150 | 0.8 | 20 | 5 | Single Color |
| | 597-3222-407F | Amber | AllnGaP | 590 | 65 | 1.9 | 150 | 0.8 | 20 | 5 | Single Color |
| | 597-3305-607F | Green | GaP | 569 | 8 | 2.1 | 130 | 1.1 | 10 | 5 | Single Color |
| | 597-3405-607F | Yellow | GaP | 588 | 6 | 2.1 | 130 | 1.1 | 10 | 5 | Single Color |
| | 597-5111-407F | Red | AlGaAs | 647 | 11.7 | 1.7 | 150 | 0.8 | 20 | 5 | Single Color |
| | 597-5202-407F | Orange | GaP | 606 | 3.7 | 2.2 | 150 | 0.8 | 20 | 5 | Single Color |
| | 597-5311-407F | Green | GaP | 567 | 6.4 | 2.1 | 150 | 0.8 | 20 | 5 | Single Color |
| 597-5411-407F | Yellow | GaP | 572 | 11.7 | 2.1 | 150 | 0.8 | 20 | 5 | Single Color | |
|  | 598-8110-107F | Red | AllnGaP | 635 | 40 | 2.2 | 140 | 0.7 | 20 | 6 | Single Color |
| | 598-8120-107F | Red-Orange | AllnGaP | 625 | 150 | 2 | 140 | 0.7 | 20 | 6 | Single Color |
| | 598-8130-107F | Orange | AllnGaP | 605 | 80 | 2 | 140 | 0.7 | 20 | 6 | Single Color |
| | 598-8140-107F | Yellow | AllnGaP | 593 | 130 | 2 | 140 | 0.7 | 20 | 6 | Single Color |
| | 598-8150-107F | Yellow | AllnGaP | 587 | 130 | 2 | 140 | 0.7 | 20 | 6 | Single Color |
| | 598-8160-107F | Yellow-Green | AllnGaP | 573 | 40 | 2 | 140 | 0.7 | 20 | 6 | Single Color |
| | 598-8170-107F | Green | GaP | 566 | 20 | 3.2 | 140 | 0.7 | 20 | 6 | Single Color |
| | 598-8181-107F | Green | InGaN | 523 | 300 | 3.2 | 140 | 0.7 | 20 | 6 | Single Color |
| | 598-8191-107F | Blue | InGaN | 473 | 90 | 3.2 | 140 | 0.7 | 20 | 6 | Single Color |
| 1206 Series Package (3.2mm X 1.6mm X Height) | | | | | | | | | | | |
|  | 597-3007-607F | Red | GaP | 621 | 8 | 2.0 | 130 | 1.1 | 20 | 7 | Single Color |
| | 597-3302-607F | Green | GaP | 569 | 8 | 2.1 | 130 | 1.1 | 10 | 7 | Single Color |
| | 597-3403-607F | Yellow | GaAsP | 588 | 6 | 2.1 | 130 | 1.1 | 10 | 7 | Single Color |
| | 598-8210-107F | Red | AllnGaP | 635 | 40 | 2.2 | 140 | 0.7 | 20 | 8 | Single Color |
| | 598-8220-107F | Red-Orange | AllnGaP | 625 | 150 | 2 | 140 | 0.7 | 20 | 8 | Single Color |
| | 598-8230-107F | Orange | AllnGaP | 605 | 80 | 2 | 140 | 0.7 | 20 | 8 | Single Color |
| | 598-8240-107F | Yellow | AllnGaP | 593 | 130 | 2 | 140 | 0.7 | 20 | 8 | Single Color |
| | 598-8250-107F | Yellow | AllnGaP | 587 | 130 | 2 | 140 | 0.7 | 20 | 8 | Single Color |
| | 598-8260-107F | Yellow-Green | AllnGaP | 573 | 40 | 2 | 140 | 0.7 | 20 | 8 | Single Color |
| | 598-8270-107F | Green | GaP | 566 | 20 | 3.2 | 140 | 0.7 | 20 | 8 | Single Color |
| | 598-8281-107F | Green | InGaN | 523 | 300 | 3.2 | 140 | 0.7 | 20 | 8 | Single Color |
| | 598-8291-107F | Blue | InGaN | 473 | 90 | 3.2 | 140 | 0.7 | 20 | 8 | Single Color |

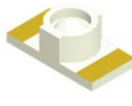
Micro LED® SMD LED (cont.)

| ChipLED | Dialight Part Number | Color | Material | Dom. λ Typ. (nm) | Intensity Typ. (mcd) | Forward Voltage Typ. (V) | Viewing Angle | Height | Test Current (mA) | Fig | Type |
|---|----------------------|---------------------------|-------------------------|--------------------------|----------------------|--------------------------|---------------|--------|-------------------|--------------|--------------|
| 1206 Series Package with Lens (3.0mm X 1.6mm X Height) | | | | | | | | | | | |
|  | 597-3612-407F | Blue | InGaN | 470 | 133 | 3.3 | 50 | 1.5 | 20 | 9 | Single Color |
| | 597-3311-407F | Green | GaP | 567 | 12 | 2.1 | 70 | 1.5 | 20 | 9 | Single Color |
| | 597-3312-407F | Green | AllnGaP | 561 | 42 | 2.1 | 60 | 1.5 | 20 | 9 | Single Color |
| | 597-3325-407F | Green | InGaN | 525 | 415 | 3.3 | 50 | 1.5 | 20 | 9 | Single Color |
| | 597-3111-407F | Red | GaAlAs | 647 | 33.6 | 1.7 | 70 | 1.5 | 20 | 9 | Single Color |
| | 597-3021-407F | Red | AllnGaP | 626 | 240 | 1.9 | 60 | 1.5 | 20 | 9 | Single Color |
| | 597-3202-407F | Orange | AllnGaP | 605 | 240 | 1.9 | 60 | 1.5 | 20 | 9 | Single Color |
| | 597-3201-407F | Orange | GaAsP/GaP | 606 | 9 | 2.2 | 70 | 1.5 | 20 | 9 | Single Color |
| 597-3401-407F | Yellow | GaAsP | 590 | 6 | 2.2 | 70 | 1.5 | 20 | 9 | Single Color | |
| 1208 Series Package with Reflector (3.0mm X 2.0mm X Height) | | | | | | | | | | | |
|  | 597-3002-507F | Red | AllnGaP | 630 | 63 | 2.2 | 110 | 1.3 | 20 | 10 | Single Color |
| | 597-3021-507F | Red | GaAsP | 653 | 6.3 | 2.0 | 110 | 1.3 | 20 | 10 | Single Color |
| | 597-3032-507F | Red | AllnGaP | 620 | 100 | 2.2 | 110 | 1.3 | 20 | 10 | Single Color |
| | 597-3111-507F | Red | AlGaAs | 662 | 16 | 1.75 | 110 | 1.3 | 20 | 10 | Single Color |
| | 597-3202-507F | Orange | AllnGaP | 605 | 160 | 2.2 | 110 | 1.3 | 20 | 10 | Single Color |
| | 597-3211-507F | Orange | GaAsP | 612 | 10 | 2.0 | 110 | 1.3 | 20 | 10 | Single Color |
| | 597-3301-507F | Green | AllnGaP | 573 | 25 | 2.2 | 110 | 1.3 | 20 | 10 | Single Color |
| | 597-3312-507F | Green | AllnGaP | 560 | 18 | 2.1 | 110 | 1.3 | 20 | 10 | Single Color |
| | 597-3322-507F | Green | InGaN | 525 | 140 | 3.2 | 110 | 1.3 | 20 | 10 | Single Color |
| | 597-3401-507F | Yellow | GaAsP | 588 | 6.3 | 2.1 | 110 | 1.3 | 20 | 10 | Single Color |
| | 597-3402-507F | Yellow | AllnGaP | 590 | 160 | 2.2 | 110 | 1.3 | 20 | 10 | Single Color |
| | 597-3502-507F | Yellow-Green | AllnGaP | 572 | 25 | 2.2 | 110 | 1.3 | 20 | 10 | Single Color |
| | 597-3602-507F | Blue | InGaN | 470 | 100 | 3.3 | 110 | 1.3 | 20 | 10 | Single Color |
| | 597-3902-507F | White | InGaN | x: 0.3 y: 0.3 | 900 | 3.2 | 110 | 1.3 | 20 | 10 | Single Color |
| 1210 Series Package (3.2mm X 2.7mm X Height) | | | | | | | | | | | |
|  | 597-7702-607F | Red/Green | GaAsP/GaP | 621/569 | 12/15 | 2.0/2.1 | 130 | 1.1 | 20 | 11 | Bi-Color |
| | 597-7722-607F | Yellow/Green | GaP/GaAsP | 588/569 | 9/15 | 2.1/2.1 | 130 | 1.1 | 20 | 11 | Bi-Color |
| | 598-8610-207F | Red / Green | AllnGaP | 635 / 565 | 60 / 40 | 2 / 2 | 140 | 0.7 | 20 | 12 | Bi-Color |
| | 598-8621-207F | Red-Orange / Green | AllnGaP / InGaN | 625 / 525 | 100 / 220 | 2 / 3.2 | 140 | 0.7 | 20 | 12 | Bi-Color |
| | 598-8631-207F | Red-Orange / Green | AllnGaP | 625 / 568 | 110 / 40 | 2 / 2 | 140 | 0.7 | 20 | 12 | Bi-Color |
| | 598-8640-207F | Yellow / Green | AllnGaP | 590 / 570 | 135 / 50 | 2 / 2 | 140 | 0.7 | 20 | 12 | Bi-Color |
| | 598-8660-207F | Yellow / Red | AllnGaP | 590 / 640 | 135 / 50 | 2 / 2.2 | 140 | 0.7 | 20 | 12 | Bi-Color |
| | 598-8610-307F | Red / Green / Blue | AllnGaP | 635 / 525 / 470 | 60 / 120 / 80 | 2 / 3.2 / 3.2 | 140 | 0.7 | 20 | 13 | Tri-Color |
| | 598-8920-307F | Red-Orange / Green / Blue | AllnGaP / InGaN / InGaN | 625 / 525 / 470 | 120 / 150 / 60 | 2 / 3.2 / 3.2 | 140 | 0.7 | 20 | 13 | Tri-Color |
| | 598-8940-307F | Yellow / Green / Blue | AllnGaP / InGaN / InGaN | 590 / 525 / 475 | 110 / 220 / 90 | 2 / 3.2 / 3.2 | 140 | 0.7 | 20 | 13 | Tri-Color |
| 1210 Series Package with Reflector (3.0mm X 2.5mm X Height) | | | | | | | | | | | |
|  | 597-7701-507F | Red/Green | GaAsP/GaP | 653/575 | 6.3 / 16 | 2.0/2.2 | 100 | 1.3 | 20 | 14 | Bi-Color |
| | 597-7721-507F | Yellow/Green | GaAsP/GaP | 589/575 | 6.3 / 21 | 2.1/2.2 | 100 | 1.3 | 20 | 14 | Bi-Color |


PLCC

| PLCC | Dialight Part Number | Color | Material | Dom. Typ. (nm) | Intensity Typ. (mcd) | Forward Voltage Typ. (V) | Viewing Angle | Height | Test Current (mA) | Fig | Type |
|---|----------------------|------------------------|-----------------------------|---------------------|----------------------|--------------------------|---------------|--------|-------------------|--------------|--------------|
| PLCC-2 Series Package with Reflector (3.5mm X 2.8mm X Height) | | | | | | | | | | | |
|  | 597-3001-207F | Red | GaAsP/GaP | 620 | 10 | 2.0 | 120 | 1.9 | 20 | 24 | Single Color |
| | 597-3008-207F | Red | InGaAlP | 630 | 12.6 | 1.8 | 120 | 1.9 | 2 | 24 | Single Color |
| | 597-3121-207F | Red | AlGaAs | 645 | 35.5 | 1.75 | 120 | 1.9 | 10 | 24 | Single Color |
| | 597-3208-207F | Orange | InGaAlP | 606 | 19.6 | 1.8 | 120 | 1.9 | 2 | 24 | Single Color |
| | 597-3211-207F | Orange | GaAsP/GaP | 606 | 18.3 | 2.0 | 120 | 1.9 | 10 | 24 | Single Color |
| | 597-3231-207F | Yellow | AllnGaP | 587 | 100 | 2.0 | 120 | 1.9 | 20 | 24 | Single Color |
| | 597-3301-207F | Green | GaAsP/GaP | 570 | 19.6 | 2.0 | 120 | 1.9 | 10 | 24 | Single Color |
| | 597-3306-207F | Green | GaAlP | 570 | 24 | 2.0 | 120 | 1.9 | 10 | 24 | Single Color |
| | 597-3308-207F | Green | InGaAlP | 570 | 6.3 | 1.8 | 120 | 1.9 | 2 | 24 | Single Color |
| | 597-3401-207F | Yellow | GaAsP/GaP | 587 | 12.6 | 2.0 | 120 | 1.9 | 10 | 24 | Single Color |
| | 597-3408-207F | Yellow | InGaAlP | 587 | 15.7 | 1.8 | 120 | 1.9 | 2 | 24 | Single Color |
| 597-3601-207F | Blue | InGaN | 465 | 11 | 3.5 | 120 | 1.9 | 10 | 24 | Single Color | |
| 597-3901-207F | White | InGaN | x: 0.32 y: 0.31 | 135 | 3.5 | 120 | 1.9 | 20 | 24 | Single Color | |
| PLCC-4 Series Package with Reflector (3.5mm X 2.8mm X Height) | | | | | | | | | | | |
|  | 597-3029-207F | Red | InGaAlP | 625 | 1800 | 2.15 | 120 | 1.9 | 50 | 25 | Single Color |
| | 597-3209-207F | Orange | InGaAlP | 606 | 2240 | 2.15 | 120 | 1.9 | 50 | 25 | Single Color |
| | 597-3329-207F | Green | InGaN | 525 | 1800 | 3.4 | 120 | 1.9 | 30 | 25 | Single Color |
| | 597-3409-207F | Yellow | InGaAlP | 589 | 1800 | 2.15 | 120 | 1.9 | 50 | 25 | Single Color |
| | 597-3609-207F | Blue | InGaN | 469 | 450 | 3.4 | 120 | 1.9 | 30 | 25 | Single Color |
| | 597-3909-207F | White | InGaN | x:0.30, y:0.28 | 1600 | 3.3 | 120 | 1.9 | 30 | 25 | Single Color |
| | 597-7701-207F | Red/Green | GaAsP/GaP | 628/570 | 11.3/11.3 | 2.0 | 120 | 1.9 | 10 | 26 | Bi-Color |
| | 597-7721-207F | Yellow/Green | Gap/GaAsP | 590/570 | 16/16 | 2.1/2.0 | 120 | 1.9 | 20 | 26 | Bi-Color |
| | 597-7731-207F | Red/Yellow | GaAlP | 628/590 | 10.5/10.5 | 2.0/2.0 | 120 | 1.9 | 10 | 26 | Bi-Color |
| | 597-7741-207F | Orange/Green | GaAsP/GaP | 606/570 | 11.3/17.6 | 2.0 | 120 | 1.9 | 10 | 26 | Bi-Color |
| | 597-7752-007F | Red/Green | AllnGaP/InGaN | 625/525 | 350/850 | 2.0/3.15 | 120 | 1.9 | 20 | 26 | Bi-Color |
| | 597-7761-207F | Orange/Green | GaAsP/GaP | 605/557 | 11.3/17.6 | 2.0 | 120 | 1.9 | 10 | 26 | Bi-Color |
| | 597-7781-207F | Red/Blue | InGaAlP/GaN | 633/467 | 45/11 | 2.0/3.5 | 120 | 1.9 | 10 | 26 | Bi-Color |
| | 597-7712-207F | Red/ Green/ Blue | AllnGaP/ InGaN/ InGaN | 617/ 528/ 470 | 190/ 370/ 98 | 2/3.5/3.6 | 120 | 1.9 | 20 | 27 | Tri-Color |

Reverse Mount

| Reverse Mount | Dialight Part Number | Color | Material | Dom. Typ. (nm) | Intensity Typ. (mcd) | Forward Voltage Typ. (V) | Viewing Angle | Height | Test Current (mA) | Fig | Type |
|---|----------------------|--------------|---------------|------------------|----------------------|--------------------------|---------------|--------|-------------------|-----|--------------|
| 1206 Series Package (3.2mm X 1.6 X Height) | | | | | | | | | | | |
|  | 597-6001-607F | Red | AllnGaP | 631 | 150 | 2.0 | 70 | 1.1 | 20 | 28 | Single Color |
| | 597-6201-607F | Orange | AllnGaP | 605 | 260 | 2.0 | 70 | 1.1 | 20 | 28 | Single Color |
| | 597-6301-607F | Green | InGaN | 525 | 410 | 3.0 | 70 | 1.1 | 20 | 28 | Single Color |
| | 597-6401-607F | Yellow | AllnGaP | 587 | 240 | 2.0 | 70 | 1.1 | 20 | 28 | Single Color |
| | 597-6501-607F | Yellow-Green | AllnGaP | 572 | 104 | 2.2 | 70 | 1.1 | 20 | 28 | Single Color |
| | 597-6601-607F | Blue | InGaN | 470 | 112 | 3.0 | 70 | 1.1 | 20 | 28 | Single Color |
| | 597-6901-607F | White | InGaN | x: .304, y: .301 | 70 | 3 | 70 | 1.1 | 5 | 28 | Single Color |
| | 597-7703-607F | Red/Green | AllnGaP | 631/571 | 55/45 | 2.0 | 130 | 1.1 | 20 | 29 | Bi-Color |
| | 597-7783-607F | Red/Blue | AllnGaP/InGaN | 631/470 | 45/45 | 2.0/3.3 | 130 | 1.1 | 20 | 29 | Bi-Color |

Right Angle

| Right Angle | Dialight Part Number | Color | Material | Dom. λ Typ. (nm) | Intensity Typ. (mcd) | Forward Voltage Typ. (V) | Viewing Angle | Height | Test Current (mA) | Fig | Type |
|---|----------------------|--------------|----------|--------------------|----------------------|--------------------------|---------------|--------|-------------------|-----|--------------|
| 0605 Series Package (1.6mm X 1.15mm X Height) | | | | | | | | | | | |
|  | 597-2003-507F | Red | AllnGaP | 630 | 40 | 2.2 | 135 | 0.55 | 20 | 15 | Single Color |
| | 597-2033-507F | Red | AllnGaP | 620 | 63 | 2.2 | 135 | 0.55 | 20 | 15 | Single Color |
| | 597-2203-507F | Orange | AllnGaP | 605 | 100 | 2.2 | 135 | 0.55 | 20 | 15 | Single Color |
| | 597-2403-507F | Yellow | AllnGaP | 590 | 63 | 2.0 | 135 | 0.55 | 30 | 15 | Single Color |
| | 597-2503-507F | Yellow-Green | AllnGaP | 572 | 25 | 2.2 | 135 | 0.55 | 20 | 15 | Single Color |
| | 597-2603-507F | Blue | InGaN | 470 | 140 | 3.2 | 140 | 0.55 | 20 | 15 | Single Color |
| | 597-2903-507F | White | InGaN | x: 0.31 y: 0.31 | 170 | 3.1 | 150 | 0.55 | 10 | 15 | Single Color |
| | 597-2323-507F | Green | InGaN | 527 | 56 | 3.0 | 140 | 0.55 | 5 | 15 | Single Color |

Dialight

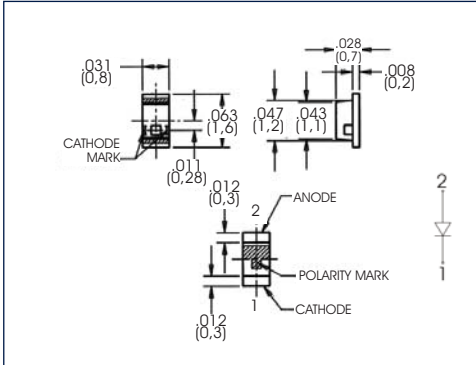
Right Angle

| Right Angle | Dialight Part Number | Color | Material | Dom. λ Typ. (nm) | Intensity Typ. (mcd) | Forward Voltage Typ. (V) | Viewing Angle | Height | Test Current (mA) | Fig | Type |
|---|-----------------------|---------------------------|-----------------------------|--------------------------|----------------------|--------------------------|---------------|--------|-------------------|-----------|--------------|
| 1208 Series Package (3.0mm X 2.0mm X Height) | | | | | | | | | | | |
| | 597-2002-407F | Red | AllnGaP | 626 | 50 | 1.9 | 130 | 1 | 20 | 16 | Single Color |
| | 597-2111-407F | Red | GaAlAs | 647 | 12.4 | 1.7 | 130 | 1 | 20 | 16 | Single Color |
| | 597-2201-407F | Amber | GaAsP/GaP | 606 | 3 | 2.2 | 130 | 1 | 20 | 16 | Single Color |
| | 597-2212-407F | Orange | AllnGaP | 605 | 65 | 1.9 | 130 | 1 | 20 | 16 | Single Color |
| | 597-2222-407F | Yellow | AllnGaP | 590 | 65 | 1.9 | 130 | 1 | 20 | 16 | Single Color |
| | 597-2311-407F | Green | GaP | 567 | 5.2 | 2.1 | 130 | 1 | 20 | 16 | Single Color |
| | 597-2401-407F | Yellow | GaAsP/GaP | 590 | 3 | 2.2 | 130 | 1 | 20 | 16 | Single Color |
| | 597-2413-407F | Yellow | GaAsP/GaP | 586 | 8.8 | 2.1 | 130 | 1 | 25 | 16 | Single Color |
| | 597-2002-607F | Red | AllnGaP | 631 | 125 | 2.0 | 130 | 1 | 20 | 17 | Single Color |
| | 597-2211-607F | Orange | AllnGaP | 605 | 125 | 2.0 | 130 | 1 | 20 | 17 | Single Color |
| | 597-2222-607F | Yellow | AllnGaP | 589 | 125 | 2.0 | 130 | 1 | 20 | 17 | Single Color |
| | 597-2501-607F | Green | AllnGaP | 572 | 50 | 2.0 | 130 | 1 | 20 | 17 | Single Color |
| | 597-2601-607F | Green | InGaN | 525 | 195 | 3.2 | 130 | 1 | 20 | 17 | Single Color |
| | 597-2901-607F | Blue | InGaN | 470 | 125 | 3.0 | 130 | 1 | 20 | 17 | Single Color |
| | 597-2723-607F | Yellow/Green | AllnGaP | 589/571 | 75/35 | 2.0 | 130 | 1 | 20 | 18 | Bi-Color |
| | 597-2751-607F | Red/Green | AllnGaP | 631/571 | 45/35 | 2.0 | 130 | 1 | 20 | 18 | Bi-Color |
| | 597-2712-607F | Red/ Green/ Blue | AllnGaP/ InGaN/ InGaN | 624/ 525/ 470 | 110/ 280/ 100 | 2/ 3.5/ 3.5 | 130 | 1 | 20 | 19 | Tri-Color |
| 1208 Series Package (3.2mm X 1.5mm X Height) Note size difference | | | | | | | | | | | |
| | 598-8310-117F | Red | AllnGaP | 635 | 40 | 2.2 | 160 | 1 | 20 | 20 | Single Color |
| | 598-8320-117F | Red-Orange | AllnGaP | 625 | 150 | 2 | 160 | 1 | 20 | 20 | Single Color |
| | 598-8330-117F | Orange | AllnGaP | 605 | 80 | 2 | 160 | 1 | 20 | 20 | Single Color |
| | 598-8340-117F | Yellow | AllnGaP | 593 | 130 | 2 | 160 | 1 | 20 | 20 | Single Color |
| | 598-8350-117F | Yellow | AllnGaP | 587 | 130 | 2 | 160 | 1 | 20 | 20 | Single Color |
| | 598-8360-117F | Yellow-Green | AllnGaP | 573 | 40 | 2 | 160 | 1 | 20 | 20 | Single Color |
| | 598-8370-117F | Green | GaP | 566 | 20 | 2 | 160 | 1 | 20 | 20 | Single Color |
| | 598-8380-117F | Green | InGaN | 523 | 220 | 3.2 | 160 | 1 | 20 | 20 | Single Color |
| | 598-8391-117F | Blue | InGaN | 473 | 90 | 3.2 | 160 | 1 | 20 | 20 | Single Color |
| | 598-8510-207F | Red / Green | AllnGaP | 635 / 565 | 60 / 40 | 2 / 2 | 160 | 1 | 20 | 21 | Bi-Color |
| | 598-8520-207F | Red Orange / Green | AllnGaP | 625 / 568 | 110 / 40 | 2 | 160 | 1 | 20 | 21 | Bi-Color |
| | 598-8530-207F | Orange / Green | AllnGaP | 605 / 568 | 100 / 40 | 2 / 2 | 160 | 1 | 20 | 21 | Bi-Color |
| | 598-8540-207F | Yellow / Green | AllnGaP | 590 / 570 | 135 / 50 | 2 / 2 | 160 | 1 | 20 | 21 | Bi-Color |
| | 598-8550-207F | Yellow / Green | AllnGaP / InGaN | 592 / 530 | 120 / 120 | 2 / 3.2 | 160 | 1 | 20 | 21 | Bi-Color |
| | 598-8560-207F | Yellow / Red | AllnGaP | 590 / 640 | 135 / 50 | 2 / 2.2 | 160 | 1 | 20 | 21 | Bi-Color |
| | 598-8810-307F | Red / Green / Blue | AllnGaP / InGaN / InGaN | 635 / 525 / 470 | 60 / 120 / 90 | 2 / 3.2 / 3.2 | 160 | 1 | 20 | 22 | Tri-Color |
| | 598-8820-307F | Red-Orange / Green / Blue | AllnGaP / InGaN / InGaN | 625 / 525 / 470 | 120 / 150 / 60 | 2 / 3.2 / 3.2 | 160 | 1 | 20 | 22 | Tri-Color |
| 598-8840-307F | Yellow / Green / Blue | AllnGaP / InGaN / InGaN | 590 / 525 / 475 | 110 / 220 / 90 | 2 / 3.2 / 3.2 | 160 | 1 | 20 | 22 | Tri-Color | |
| 1616 Series Package with Reflector (4mm X 4mm X Height) | | | | | | | | | | | |
| | 597-2001-213F | Red | Gap/GaAsP | 630 | 7.8 | 1.8 | 120 | 3.6 | 2 | 23 | Single Color |
| | 597-2201-815F | Yellow | AllnGaP | 587 | 590 | 2.1 | 120 | 3.6 | 20 | 23 | Single Color |
| | 597-2301-213F | Green | GaP/GaP | 570 | 5.6 | 1.8 | 120 | 3.6 | 2 | 23 | Single Color |
| | 597-2321-816F | Green | InGaN | 528 | 627 | 3.5 | 120 | 3.6 | 20 | 23 | Single Color |
| | 597-2401-213F | Yellow | Gap/GaAsP | 587 | 14 | 1.8 | 120 | 3.6 | 2 | 23 | Single Color |
| | 597-2301-824F | Green | AllnGaP | 570 | 78 | 2.0 | 120 | 3.6 | 20 | 23 | Single Color |
| | 597-2601-817F | Blue | InGaN | 470 | 157 | 3.6 | 120 | 3.6 | 20 | 23 | Single Color |
| | 597-2901-822F | White | InGaN | x: 0.33 y: 0.33 | 532 | 3.6 | 120 | 3.6 | 20 | 23 | Single Color |

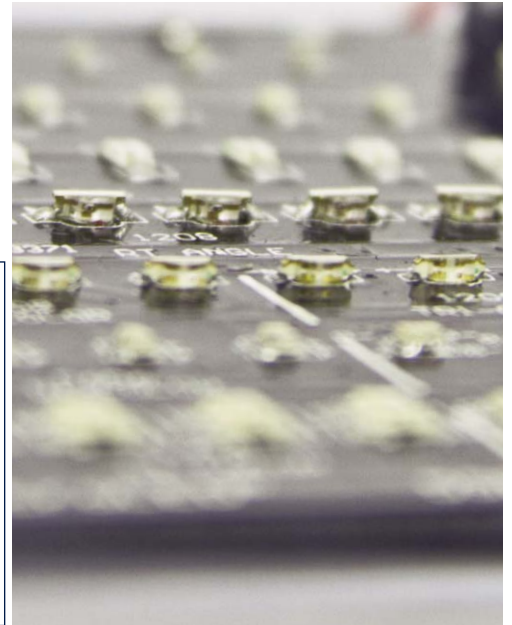
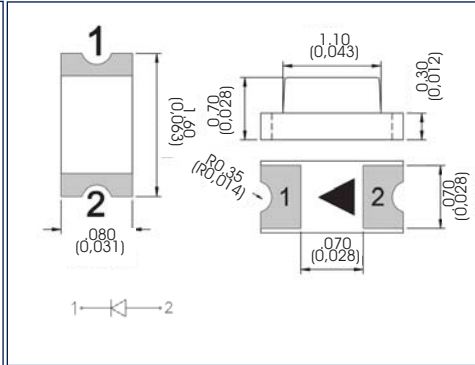
Drawings

Micro LED[®] SMD LED

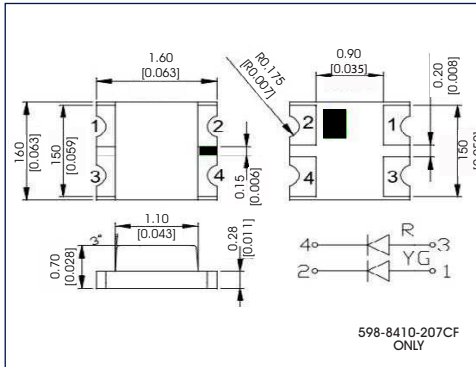
0603 Single Color (Fig 1)



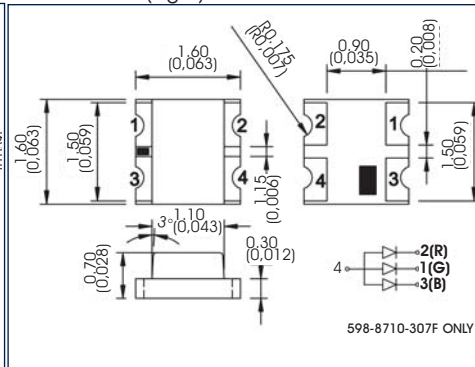
0603 Single Color (Fig 2)



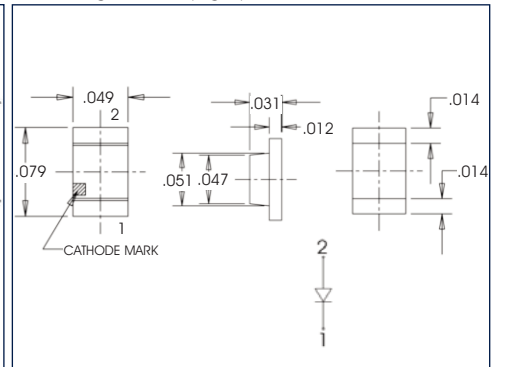
0606 Bi-Color (Fig 3)



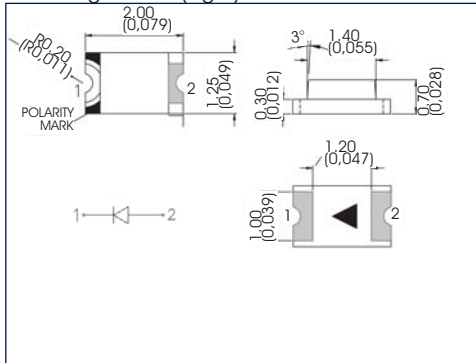
0606 Tri-Color (Fig 4)



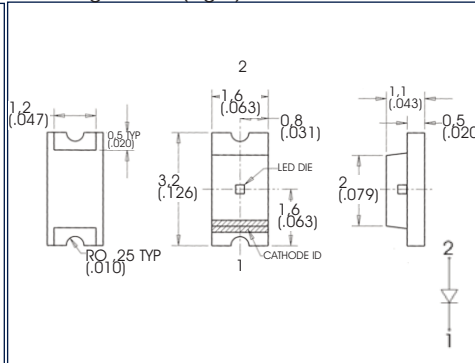
0805 Single Color (Fig 5)



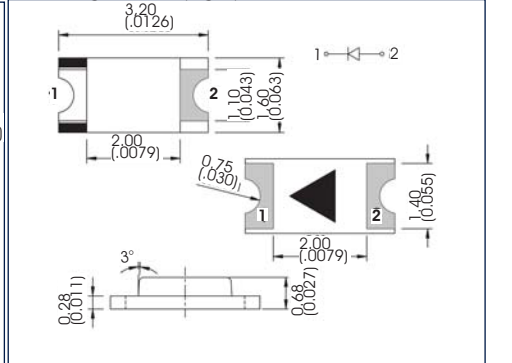
0805 Single Color (Fig 6)



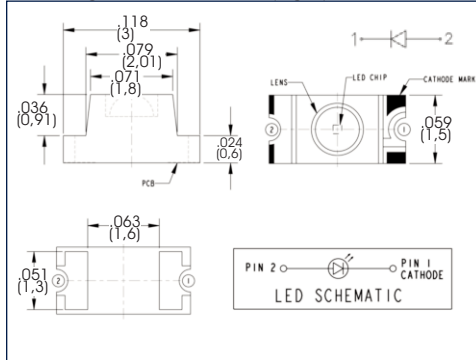
1206 Single Color (Fig 7)



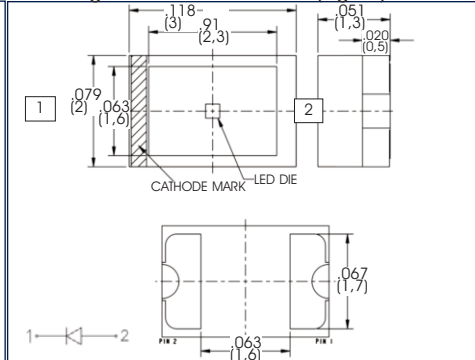
1206 Single Color (Fig 8)



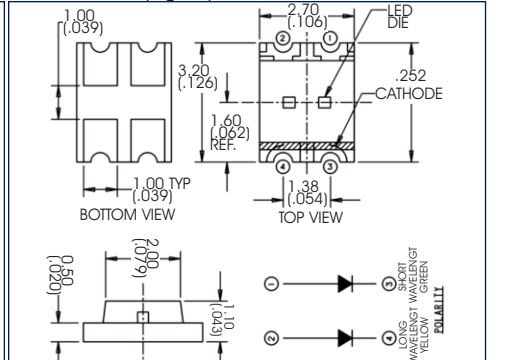
1206 Single Color with Lens (Fig 9)



1208 Single Color with Reflector (Fig 10)



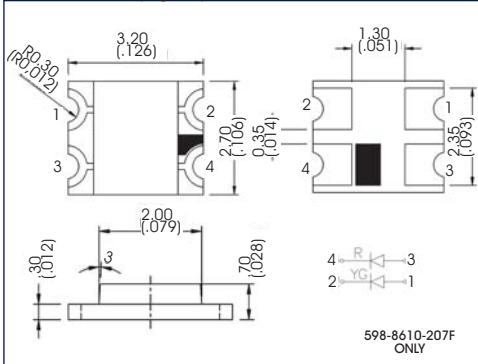
1210 Bi-Color (Fig 11)



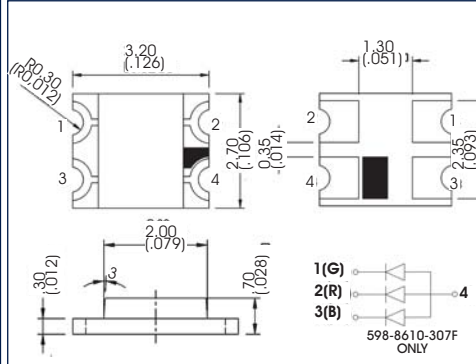
Drawings

Micro LED[®] SMD LED (cont.)

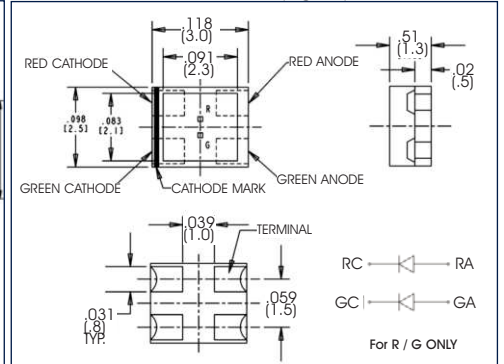
1210 Bi-Color (Fig 12)



1210 Tri-Color (Fig 13)

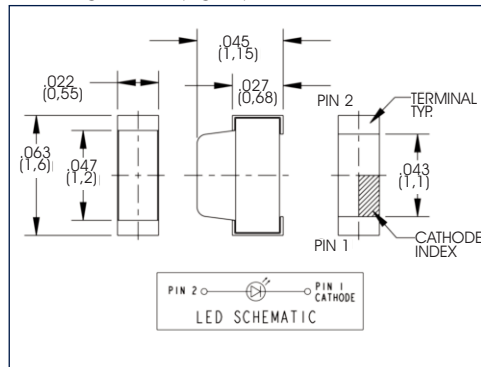


1210 Bi-Color with Reflector (Fig 14)

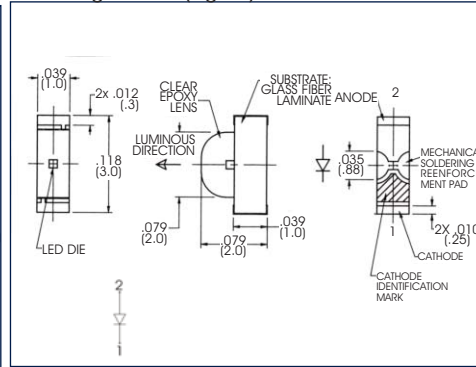


Right Angle

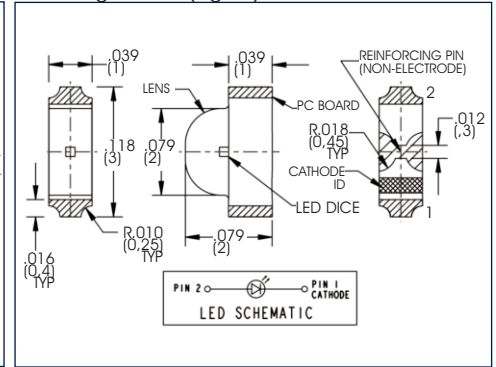
0605 Single Color (Fig 15)



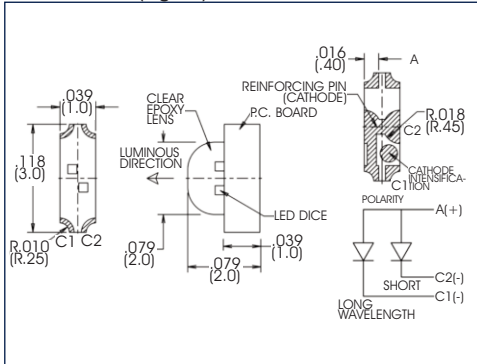
1208 Single Color (Fig 16)



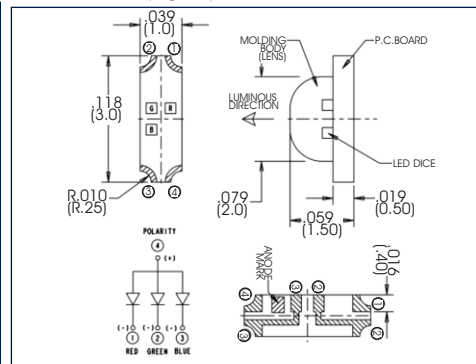
1208 Single Color (Fig 17)



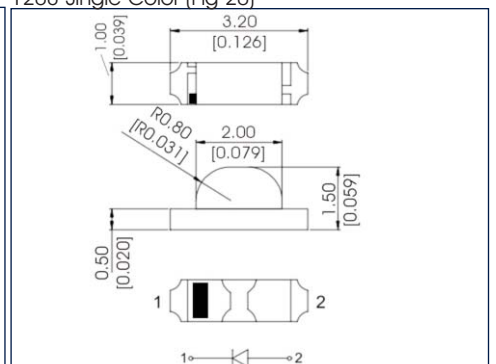
1208 Bi-Color (Fig 18)



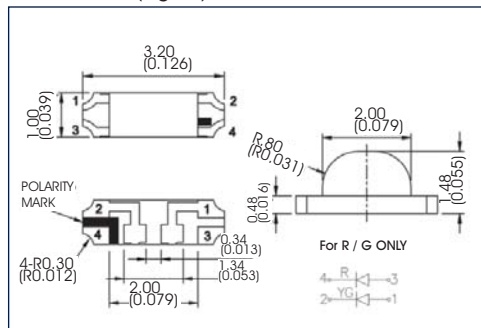
1208 Tri-Color (Fig 19)



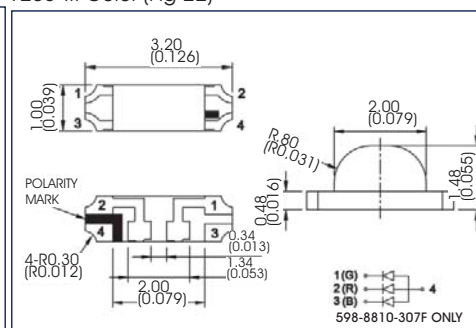
1208 Single Color (Fig 20)



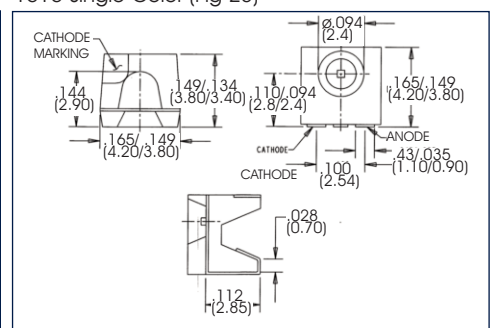
1208 Bi-Color (Fig 21)



1208 Tri-Color (Fig 22)



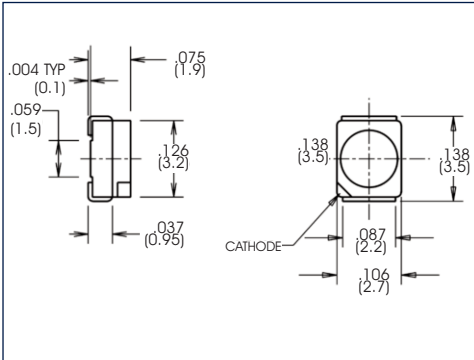
1616 Single Color (Fig 23)



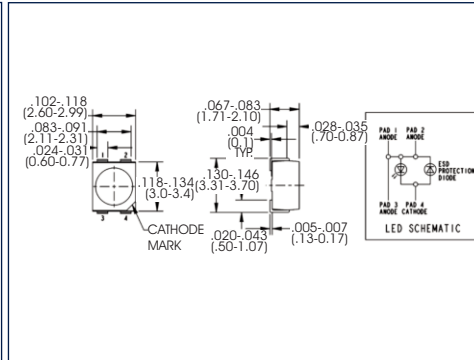
Drawings

PLCC

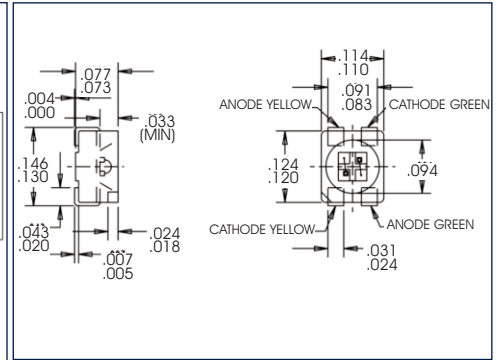
PLCC-2 Single Color (Fig 24)



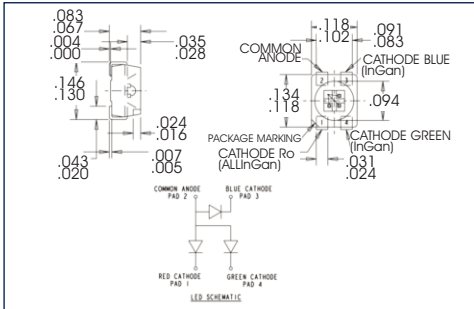
PLCC-4 Single Color (Fig 25)



PLCC-4 Bi-Color (Fig 26)

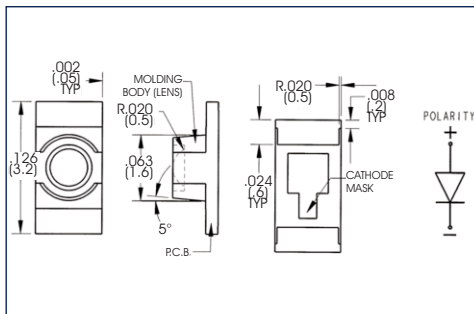


PLCC-4 Tri-Color (Fig 27)

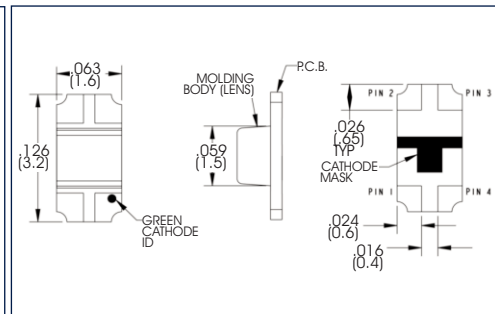


Reverse Mount

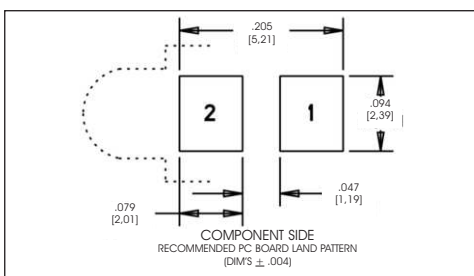
1206 Single Color (Fig 28)



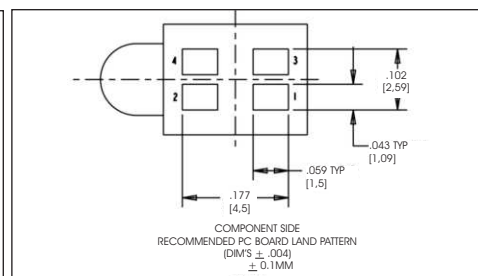
1206 Bi-Color (Fig 29)



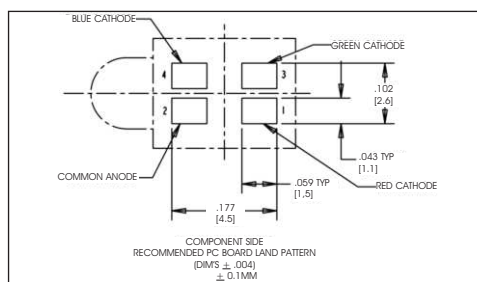
591 Prism® Color Pad Layouts (Page 3)



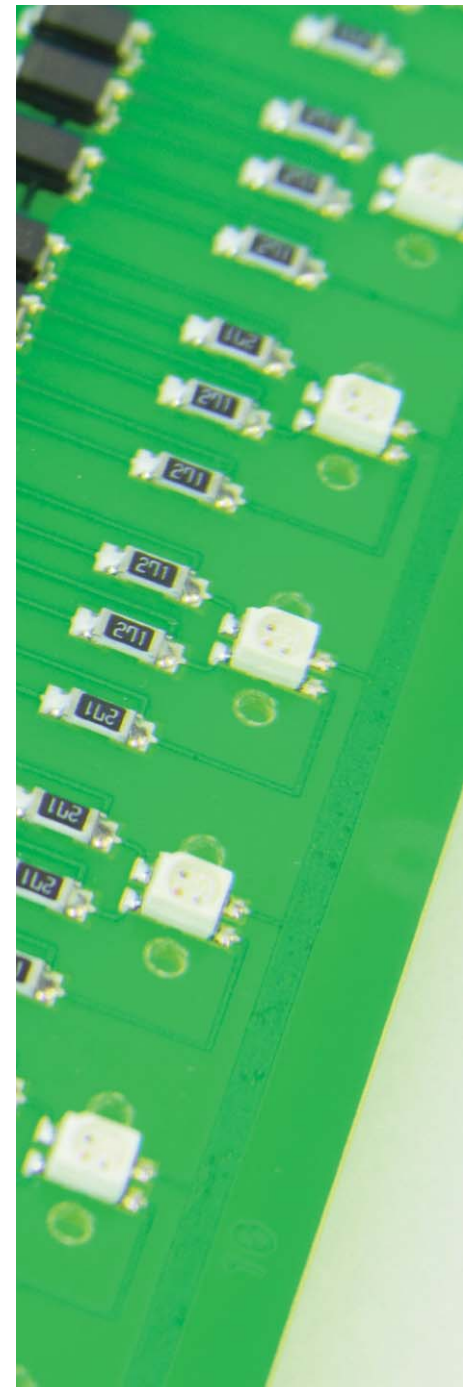
Prism Single Color Pad Layout

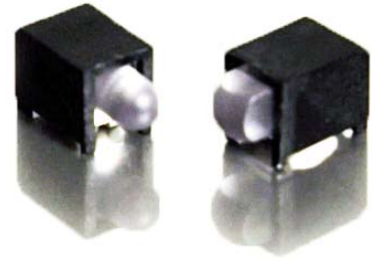


Prism Bi Color Pad Layout



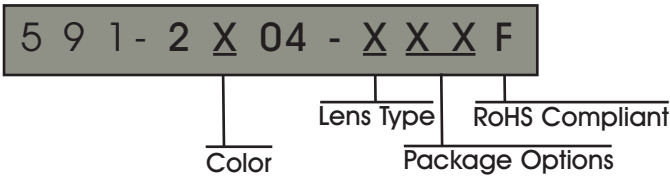
Prism Tri Color Pad Layout



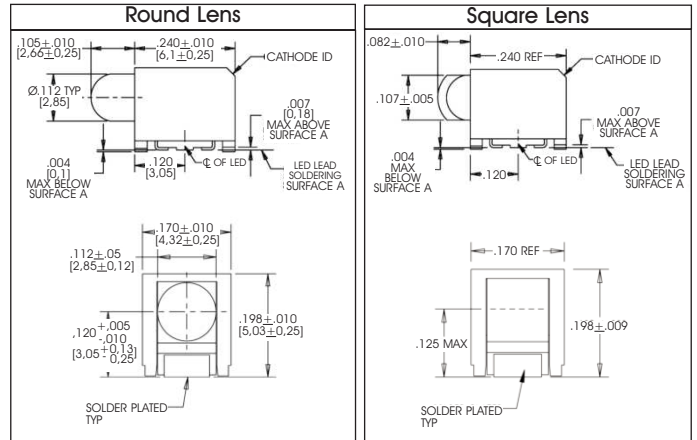


2mA Low Current Prism® CBI®

Order Code



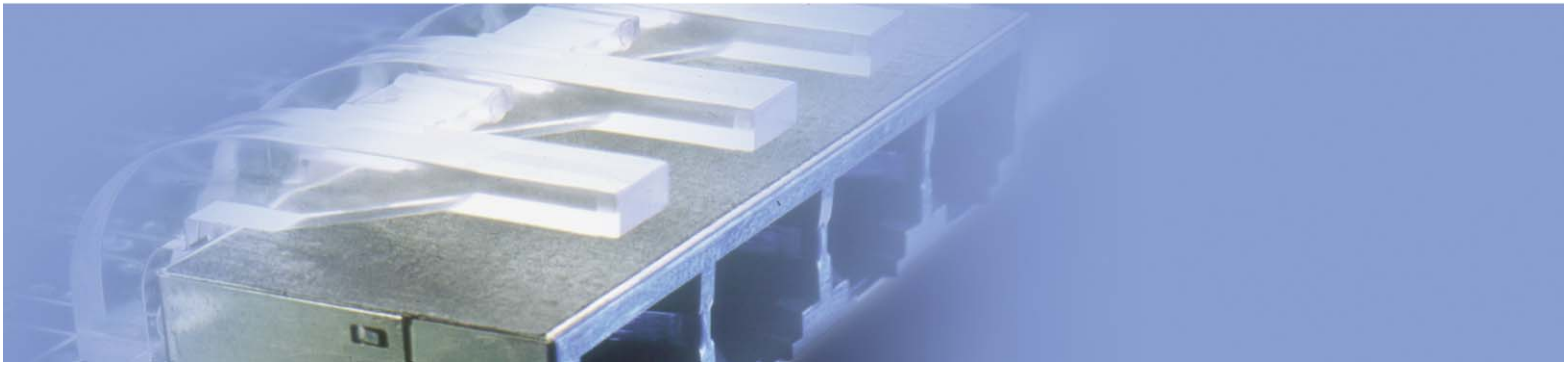
| Color | | Lens Type | | Packaging Type | |
|-------|--------|-----------|--------|----------------|-------------------------|
| 0 | Red | 0 | Round | 02 | 20 piece strip |
| 3 | Green | 1 | Square | 07 | 7" Reel dia. / 400pcs |
| 4 | Yellow | | | 13 | 13" Reel dia. / 1600pcs |
| 5 | Orange | | | | |



Low Current Surface Mount LED



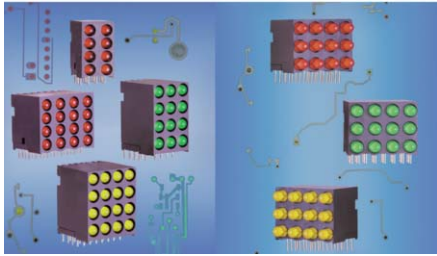
| Low Current SMT LEDs | Dialight Part Number | Color | Material | Dom. λ Typ. (nm) | Intensity Typ. (mcd) | Forward Voltage Typ. (V) | Viewing Angle | Height | Test Current (mA) | Fig | Type |
|---|----------------------|--------|-----------|------------------|----------------------|--------------------------|---------------|--------|-------------------|-----|--------------|
| PLCC-2 Series Package with Reflector (3.5mm X 2.8mm X Height) | | | | | | | | | | | |
| | 597-3008-207F | Red | InGaAlP | 630 | 12.6 | 1.8 | 120 | 1.9 | 2mA | 23 | Single Color |
| | 597-3208-207F | Orange | InGaAlP | 606 | 19.6 | 1.8 | 120 | 1.9 | 2mA | 23 | Single Color |
| | 597-3308-207F | Green | InGaAlP | 570 | 6.3 | 1.8 | 120 | 1.9 | 2mA | 23 | Single Color |
| | 597-3408-207F | Yellow | InGaAlP | 587 | 15.7 | 1.8 | 120 | 1.9 | 2mA | 23 | Single Color |
| Right Angle - 1616 Series Package with Reflector (4mm X 4mm X Height) | | | | | | | | | | | |
| | 597-2001-213F | Red | Gap/GaAsP | 630 | 7.8 | 1.8 | 120 | 3.6 | 2mA | 22 | Single Color |
| | 597-2301-213F | Green | GaP/GaP | 570 | 5.6 | 1.8 | 120 | 3.6 | 2mA | 22 | Single Color |
| | 597-2401-213F | Yellow | Gap/GaAsP | 587 | 14 | 1.8 | 120 | 3.6 | 2mA | 22 | Single Color |
| Reverse Mount - 1206 Series Package (3.2mm X 1.6 X Height) | | | | | | | | | | | |
| | 597-6901-607F | White | InGaN | x .304,y.301 | 70 | 3 | 70 | 1.1 | 5ma | 27 | Single Color |



Other Opto Electronic Products
Offered by Dialight

40 Years of LED Experience

Through Hole CBI® Circuit Board Indicators



- ▷ Housed LEDs in variety of configurations including:
Right angle, vertical & horizontal ganged arrays in single bi, tri, and quad blocks
- ▷ 2mm, 3mm & 5mm
- ▷ Perfect for direct view or backlighting applications
- ▷ Variety of colors and LED types including:
Single & bi-color, diffused, water-clear, tinted, super-bright, & high efficiency
- ▷ Over 2,500 variations, with custom LED placement available
- ▷ RoHS compliant

CBI® Selector Guide

www.dialight.com/Assets/Brochures_And_Catalogs/Indication/CBI_Selector_Guide.pdf

Based LED Bulbs 585 & 586 Series



- ▷ Replaces traditional miniature incandescent bulbs with rugged long-lasting and energy-efficient LEDs
- ▷ Design incorporates the most common base styles including:
T 1 ¾ Midget Flange, Wedge Base and Bi-Pin, T 3 ¼ Mini-Bayonet and Mini-Screw, T2 Telephone Slide and 15 mm Bayonet
- ▷ Voltages from 6, 14 and 28 VDC, 6-36 VDC multi-voltage operation and 125 VAC with non-polarized versions available
- ▷ Colors include – red, green, yellow, blue and white
- ▷ Check *Dialight's Incandescent / Based LED Cross Reference* for our specific replacement part number

Based LED Selector Guide

http://www.dialight.com/Assets/Brochures_And_Catalogs/Indication/Based_LED_selector_guide.pdf

LED Panel Mount Indicators



- ▷ Incorporating the latest LED technology in a tamper-proof enclosure
- ▷ Variety of sizes from .156" – 1"
- ▷ Operating voltages 2-28 VDC, 125 and 230 VAC
- ▷ Some feature a water-tight seal to NEMA 4X / IP66
- ▷ Available in red, green, yellow, orange, blue, cyan and white
- ▷ 556 series is UL recognized, Class 1, Div. II certified versions available
- ▷ Relampable Data Lamp series is available
- ▷ Most use lock washer and nut for secure mounting

LED Panel Mount Indicator Selector Guide

www.dialight.com/Assets/Brochures_And_Catalogs/Indication/VER-5x0x.pdf

Optopipe® Light Pipes for use with Micro LED® SMD



- ▷ Light pipes act as conduit for directing light from SMD to viewing angles
- ▷ Right angle and vertical available in almost 200 sizes and shapes
- ▷ Provides ESD protection
- ▷ Allows edge lighting over and around a variety of components including SFP assemblies and RJ45 jacks
- ▷ UL 94V0
- ▷ Standard and custom available
- ▷ RoHS compliant

Optopipe® Light Pipes Selector Guide

www.dialight.com/Assets/Brochures_And_Catalogs/Indication/Lightpipe_Selector_Guide.pdf

