



Chipsmall Limited consists of a professional team with an average of over 10 year of expertise in the distribution of electronic components. Based in Hongkong, we have already established firm and mutual-benefit business relationships with customers from,Europe,America and south Asia,supplying obsolete and hard-to-find components to meet their specific needs.

With the principle of “Quality Parts,Customers Priority,Honest Operation,and Considerate Service”,our business mainly focus on the distribution of electronic components. Line cards we deal with include Microchip,ALPS,ROHM,Xilinx,Pulse,ON,Everlight and Freescale. Main products comprise IC,Modules,Potentiometer,IC Socket,Relay,Connector.Our parts cover such applications as commercial,industrial, and automotives areas.

We are looking forward to setting up business relationship with you and hope to provide you with the best service and solution. Let us make a better world for our industry!



Contact us

Tel: +86-755-8981 8866 Fax: +86-755-8427 6832

Email & Skype: info@chipsmall.com Web: www.chipsmall.com

Address: A1208, Overseas Decoration Building, #122 Zhenhua RD., Futian, Shenzhen, China



59250 Seating Occupancy Reed Switch Sensor

RoHS



Description

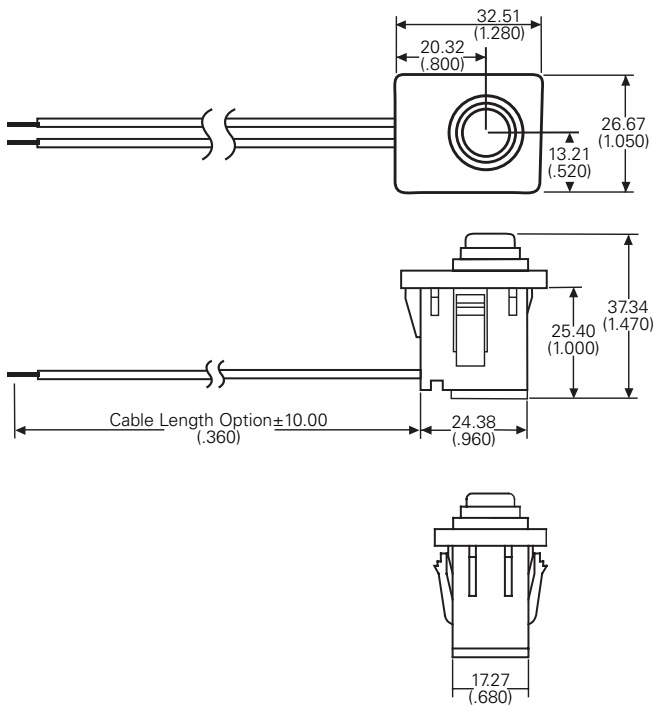
The 59250 is a magnetically operated push button sensor with a simple push-fit clip mounting. Normally open contacts actuate when the plunger is depressed. Switches up to 140Vac/200Vdc at 10W. It has integral neoprene boot for environmental protection. It is available with choice of various cable lengths and connector options.

Features

- Magnetically operated position sensor
- Simple push fit mounting
- Operates when plunger is depressed
- Choice of cable length
- Choice of connector

Dimensions

Dimensions in mm (inch)



Benefits

- Robust construction makes this sensor well suited to harsh environments
- Integral neoprene boot provides protection from severe environments
- No standby power required
- Hermetically sealed, magnetically operated contacts give excellent life and reliability

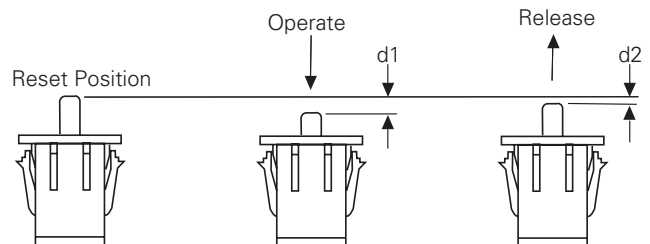
Applications

- Seat occupancy sensing
- Position and limit sensing

Activation (without boot)

Operate Distance d1 5.5mm (.217) max.

Release Distance d2 1.5mm (.059) min.



59250 Seating Occupancy Reed Switch Sensor

Electrical Ratings

Contact Type			Normally Open
Switch Type			1
Contact Rating ¹		VA/Watt - max.	10
Voltage ⁴	Switching ²	Vdc - max.	200
	Breakdown ³	Vac - max. Vdc - min.	140 250
Current ⁴	Switching ²	Adc - max.	0.5
	Carry	Aac - max. Adc - max.	0.35 0.5
Resistance ⁵	Contact, Initial Insulation	Ω - max.	0.2
		Ω - min.	10 ¹⁰
Capacitance	Contact	pF - typ.	0.2
Temperature	Operating	°C	-40 to +85

Product Characteristics

Operate Time ⁶		ms - max.	1.0
Release Time ⁶		ms - max.	1.0
Shock ⁷	11ms ½ sine	G - max.	100
Vibration ⁷	50-2000 Hz	G - max.	30

Notes:

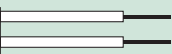
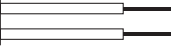

- Contact rating - Product of the switching voltage and current should never exceed the wattage rating. Contact Littelfuse for additional load/life information.
- When switching inductive and/or capacitive loads, the effects of transient voltages and/or currents should be considered. Refer to Application Notes AN108A and AN107 for details.
- Breakdown Voltage - per MIL-STD-202, Method 301.
- Electrical Load Life Expectancy - Contact Littelfuse with voltage, current values along with type of load.
- This resistance value is for 11.81mm wire length. Resistance changes when wire lengthens.
- Operate (including bounce)/Release Time - per EIA/NARM RS-421-A, diode suppressed coil (Coil II).
- Shock and Vibration - per EIA/NARM RS-421-A and MIL-STD-202.
- For custom modifications to the wire length or size, or adding a special connector, please contact Littelfuse.

59250 Seating Occupancy Reed Switch Sensor

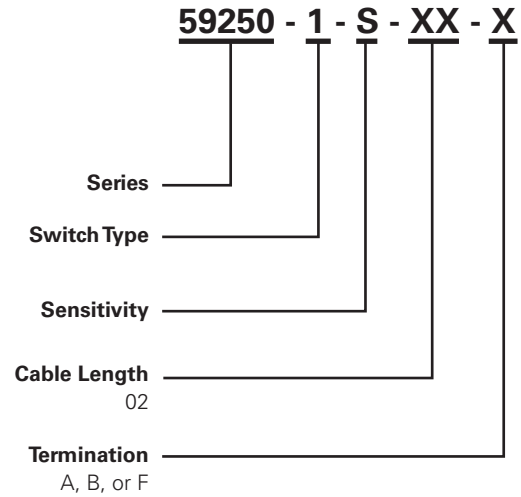
Cable Length Specification

Cable Type: 18 AWG 19/30 XLP Polyethylene	
Select Option	Cable Length mm (inch)
02	300 (11.81)

Termination Specification

Termination Options		
Select Option	Description (Two-wire versions illustrated)	
A	Tinned leads (6.4±0.76)mm	
F	Untinned leads (6.4±0.76)mm	
B	Deutsch DTM04-2P	

Part Numbering System



Packaging

Packaging Option	Packaging Specification	Quantity	Quantity & Packaging Code	Taping Width
Bulk	Bulk	500	N/A	N/A