



Chipsmall Limited consists of a professional team with an average of over 10 year of expertise in the distribution of electronic components. Based in Hongkong, we have already established firm and mutual-benefit business relationships with customers from,Europe,America and south Asia,supplying obsolete and hard-to-find components to meet their specific needs.

With the principle of "Quality Parts,Customers Priority,Honest Operation,and Considerate Service",our business mainly focus on the distribution of electronic components. Line cards we deal with include Microchip,ALPS,ROHM,Xilinx,Pulse,ON,Everlight and Freescale. Main products comprise IC,Modules,Potentiometer,IC Socket,Relay,Connector.Our parts cover such applications as commercial,industrial, and automotives areas.

We are looking forward to setting up business relationship with you and hope to provide you with the best service and solution. Let us make a better world for our industry!



Contact us

Tel: +86-755-8981 8866 Fax: +86-755-8427 6832

Email & Skype: info@chipsmall.com Web: www.chipsmall.com

Address: A1208, Overseas Decoration Building, #122 Zhenhua RD., Futian, Shenzhen, China



Board Level Cooling – Space Saving 5925



BOARD LEVEL COOLING – Space Saving 5925

Space Saving 5925 is a series of staggered fin board level heat sinks designed to cool TO-220 and TO-220-single gauge devices. Representative image only.

ORDERING INFORMATION

Part Number	Device Type
592502B02800G	TO-220, TO-220-single gauge
592502B03400G	TO-220, TO-220-single gauge



HEAT SINK DETAILS

Property	Details
Material	Aluminum
Finish	Black Anodize
Device Attachment Options	Requires Mounting Kit
Thermal Interface Material	-

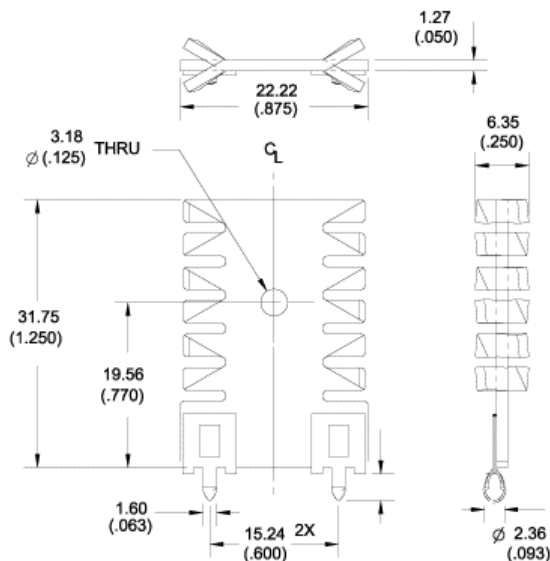
Property	Details
Heat Sink Width (mm)	6.35
Heat Sink Length (mm)	31.75
Heat Sink Height (mm)	22.22
Heat Sink Mounting Direction	Vertical

MECHANICAL & PERFORMANCE

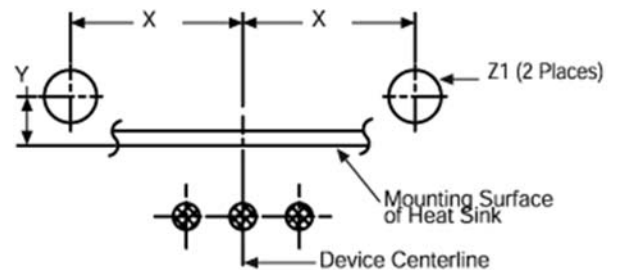
Drawing dimensions are shown in mm, (in)

Part Number	"X" Dim	"Y" Dim	"Z" Dim
592502B02800G	7.62 (0.300)	2.45 (0.096)	2.39 (0.094)
592502B03400G	7.62 (0.350)	1.14 (0.045)	2.39 (0.094)

Part Number: 592502B02800G



Mounting Details:



Board Level Cooling – Space Saving 5925

Part Number: 592502B03400G

