



Chipsmall Limited consists of a professional team with an average of over 10 year of expertise in the distribution of electronic components. Based in Hongkong, we have already established firm and mutual-benefit business relationships with customers from,Europe,America and south Asia,supplying obsolete and hard-to-find components to meet their specific needs.

With the principle of “Quality Parts,Customers Priority,Honest Operation,and Considerate Service”,our business mainly focus on the distribution of electronic components. Line cards we deal with include Microchip,ALPS,ROHM,Xilinx,Pulse,ON,Everlight and Freescale. Main products comprise IC,Modules,Potentiometer,IC Socket,Relay,Connector.Our parts cover such applications as commercial,industrial, and automotives areas.

We are looking forward to setting up business relationship with you and hope to provide you with the best service and solution. Let us make a better world for our industry!



Contact us

Tel: +86-755-8981 8866 Fax: +86-755-8427 6832

Email & Skype: info@chipsmall.com Web: www.chipsmall.com

Address: A1208, Overseas Decoration Building, #122 Zhenhua RD., Futian, Shenzhen, China

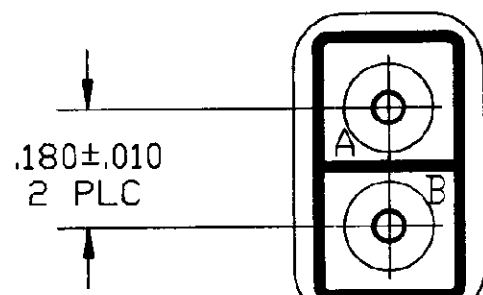


DRAWING MADE IN THIRD ANGLE PROJECTION

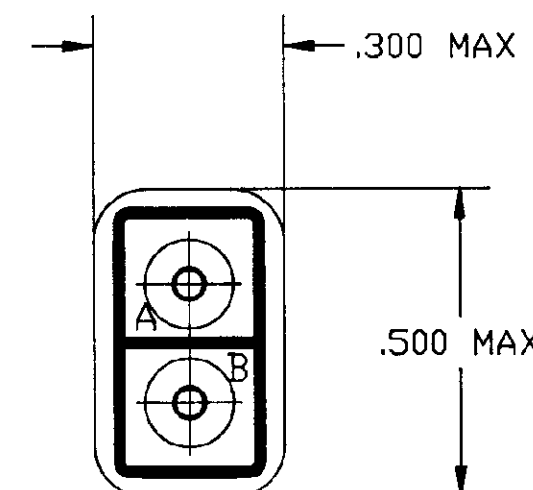
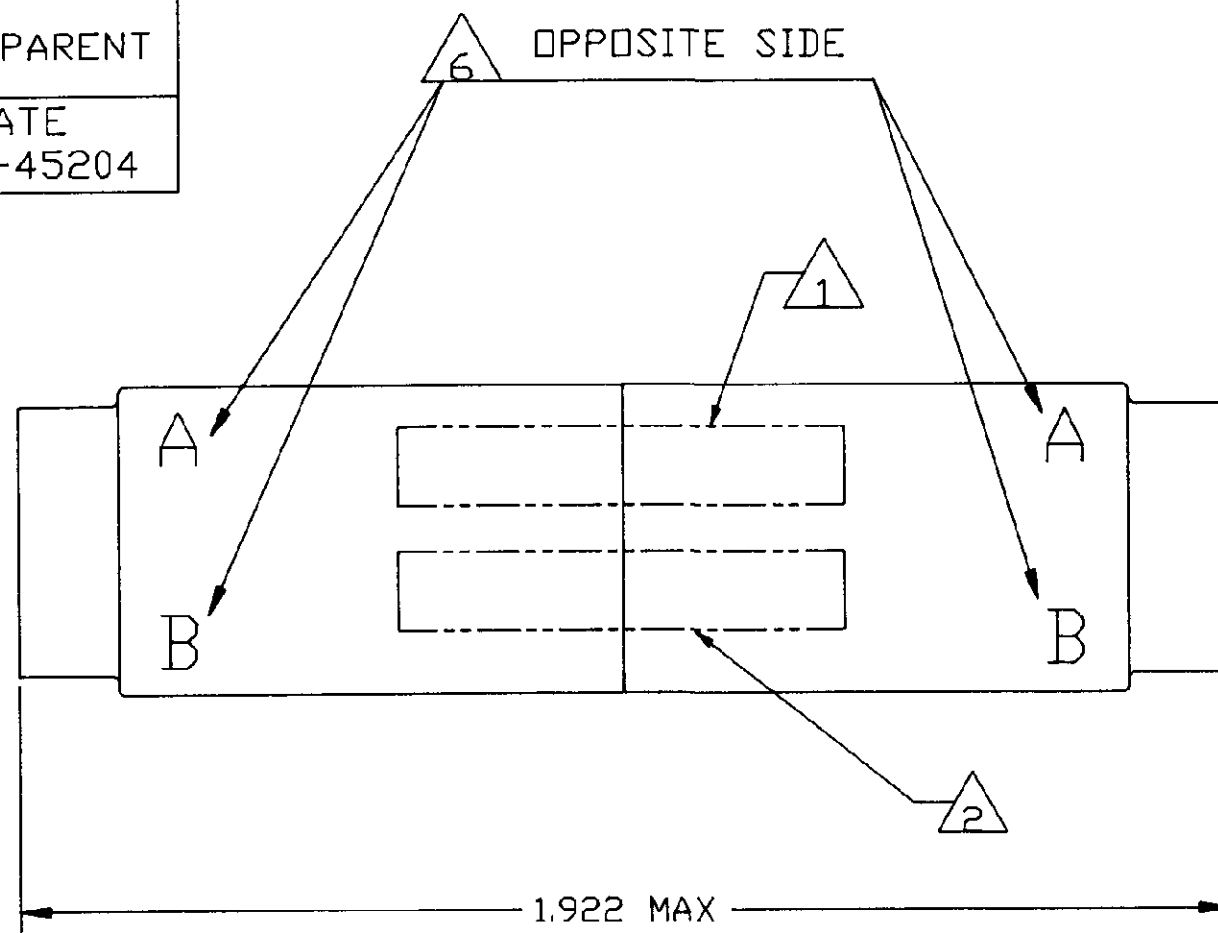
THIS DRAWING IS UNPUBLISHED. RELEASED FOR PUBLICATION, 19
 © COPYRIGHT 19 BY AMP INCORPORATED. ALL INTERNATIONAL RIGHTS RESERVED

REVISIONS					
P	F	ZONE	LTR	DESCRIPTION	DATE APPROVED
✓	✓		0	RELEASE OF NEW PRODUCT	03/94 R.R.

DESCRIPTION	MATERIAL	FINISH
GROMMET	FLUOROSILICONE 40/50 BLEND PER MIL-R-25988	COLOR: BLUE
SPLICE ASSEMBLY HOUSING	EPOXY	COLOR: BLACK
CONTACT FEMALE SOCKET	BERYLLIUM COPPER PER QQ-C-533	GOLD PLATE PER MIL-G-45204
CLIP CONTACT RETAINING	BERYLLIUM COPPER PER QQ-C-533 OR STAINLESS STEEL PER QQ-S-766	NONE
SHRINK TUBE	PER MIL-1-23053/8	COLOR TRANSPARENT
CONTACTS 3	PER M39029/1-102	GOLD PLATE PER MIL-G-45204



BUSSING ARRANGEMENT
2 PLC



592584

- 6 PART NO. 592584-3 IS MARKED WITH "A" & "B" IN TWO LOCATIONS EACH .060 MINIMUM HIGH CHARACTERS AT APPROXIMATE AREA SHOWN.
- 5. AMP PART NO. 592584-1 WAS FORMERLY MATRIX PART NO. MWS16D-1.
- 4 MARK WIRE SPLICE BUSSING ARRANGEMENT BOTH ENDS AS SHOWN.
- 3 A QUANTITY OF 4 CONTACTS ARE SUPPLIED WITH WIRE SPLICE.
- 2 PART NO. 592584-2 IS MARKED WITH CUSTOMER PART NO. 5224212-1 .060 MINIMUM HIGH CHARACTERS AT APPROXIMATE AREA SHOWN.
- 1 MARK WIRE SPLICE WITH "AMP", AMP PART NO. AND DATE CODE .060 MINIMUM HIGH CHARACTERS AT APPROXIMATE AREA SHOWN.

THIS DRAWING IS A CONTROLLED DOCUMENT FOR AMP INCORPORATED. IT IS SUBJECT TO CHANGE AND THE CONTROLLING ENGINEERING ORGANIZATION SHOULD BE CONTACTED FOR THE LATEST REVISION.

DO NOT SCALE PRINT. UNLESS OTHERWISE SPECIFIED DIMENSIONS ARE IN INCHES. TOLERANCES ON: 2 PLC DEC ± .02 3 PLC DEC ± --- ANGLES ± ---	CONTRACT NO		AMP AMP INCORPORATED Harrisburg, Pa. 17105		
	DR	N. FRITZ 02/6/94			
	CHK	R. RYAN 03/21/94	NAME		
	APPD	R. RYAN 03/21/94	WIRE SPLICE, DOUBLE SIZE 16 ASSEMBLY TJ		
MATERIAL	APPD	R. RYAN 03/21/94	SIZE	FSCM NO	DRAWING NO
FINISH	DSGN APPD		C	00779	592584
OTHER APPD			SCALE	4 : 1	SHEET 1 OF 1

6	592584-3
5224212-1	592584-2
-----	592584-1
CUSTOMER PART NO.	PART NO