



Chipsmall Limited consists of a professional team with an average of over 10 year of expertise in the distribution of electronic components. Based in Hongkong, we have already established firm and mutual-benefit business relationships with customers from,Europe,America and south Asia,supplying obsolete and hard-to-find components to meet their specific needs.

With the principle of “Quality Parts,Customers Priority,Honest Operation,and Considerate Service”,our business mainly focus on the distribution of electronic components. Line cards we deal with include Microchip,ALPS,ROHM,Xilinx,Pulse,ON,Everlight and Freescale. Main products comprise IC,Modules,Potentiometer,IC Socket,Relay,Connector.Our parts cover such applications as commercial,industrial, and automotives areas.

We are looking forward to setting up business relationship with you and hope to provide you with the best service and solution. Let us make a better world for our industry!



Contact us

Tel: +86-755-8981 8866 Fax: +86-755-8427 6832

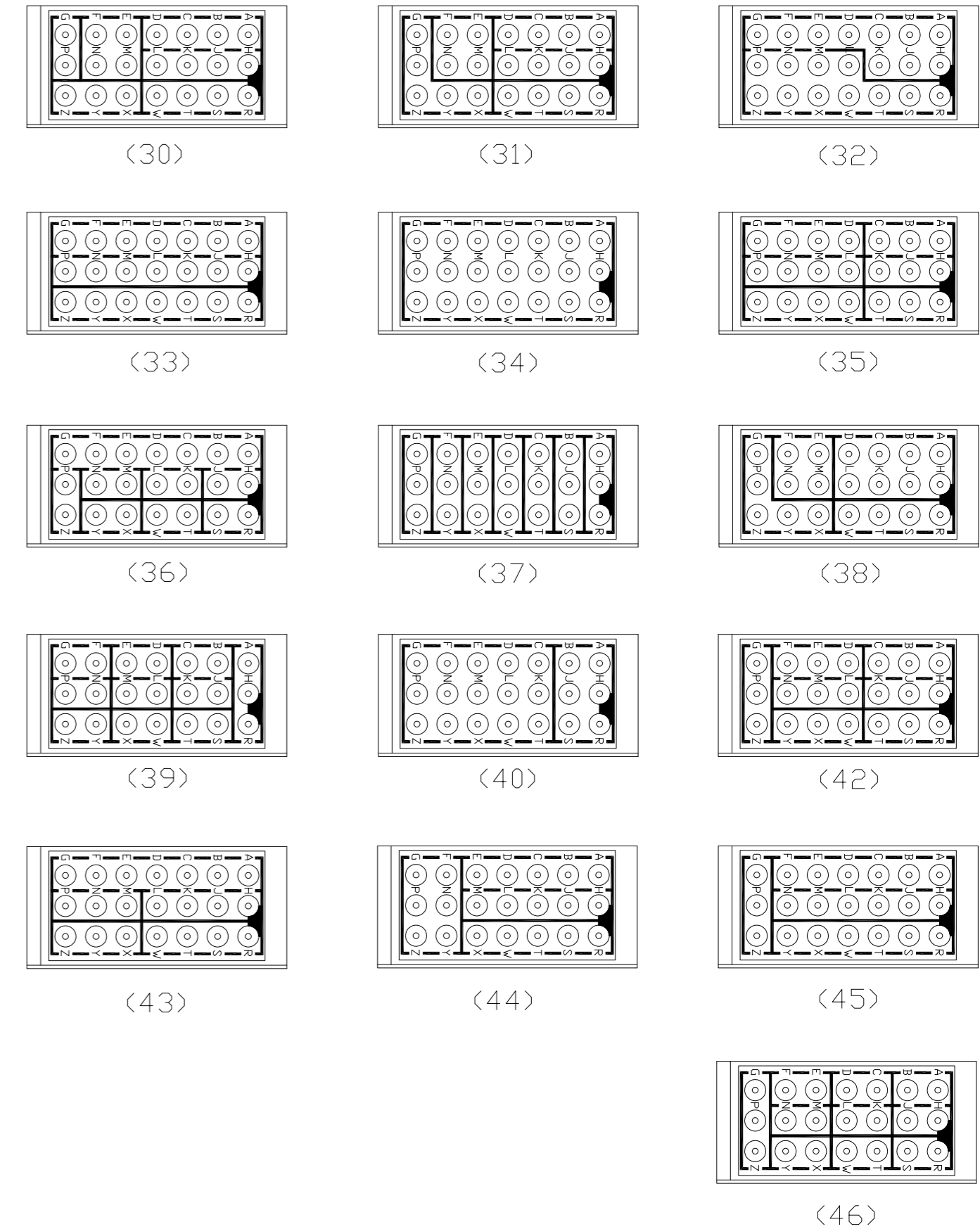
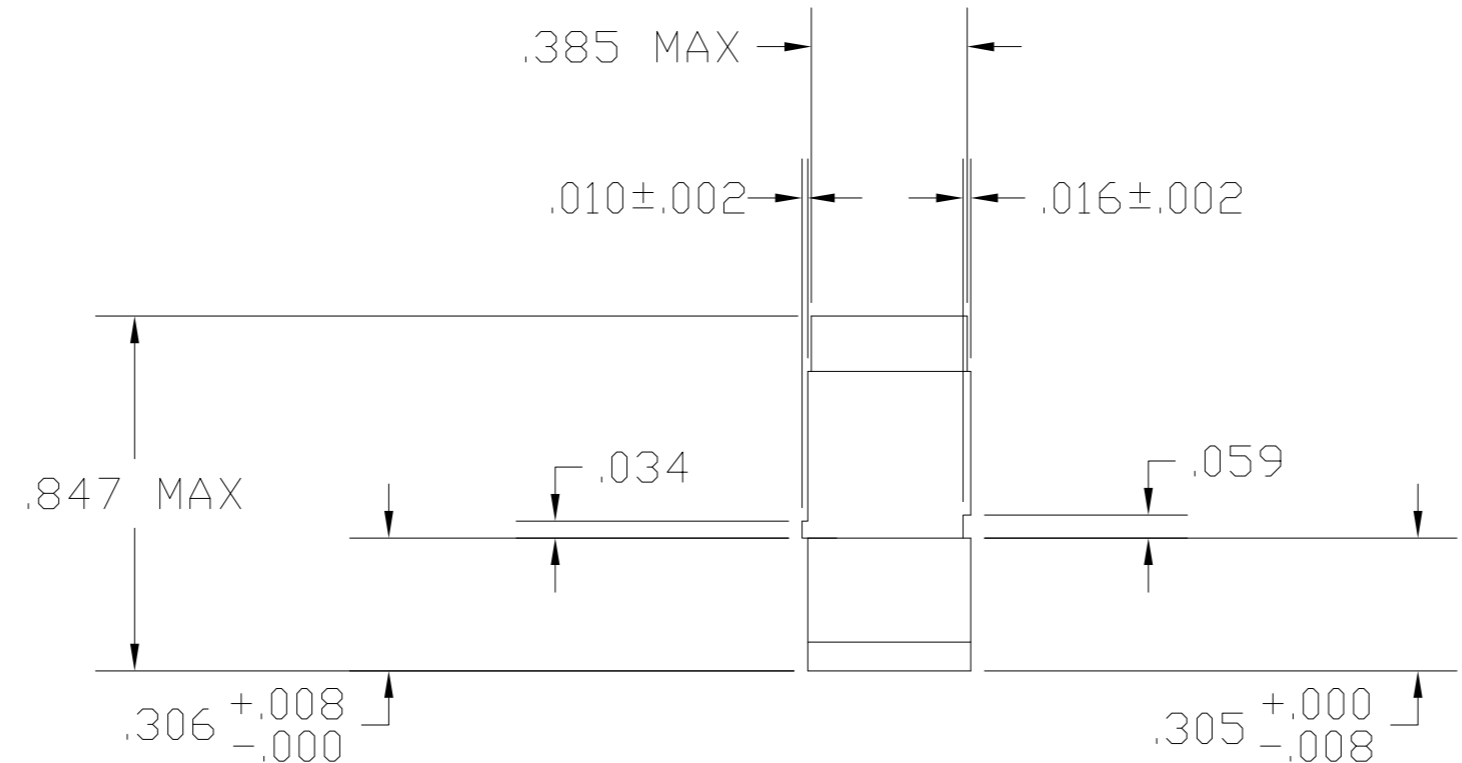
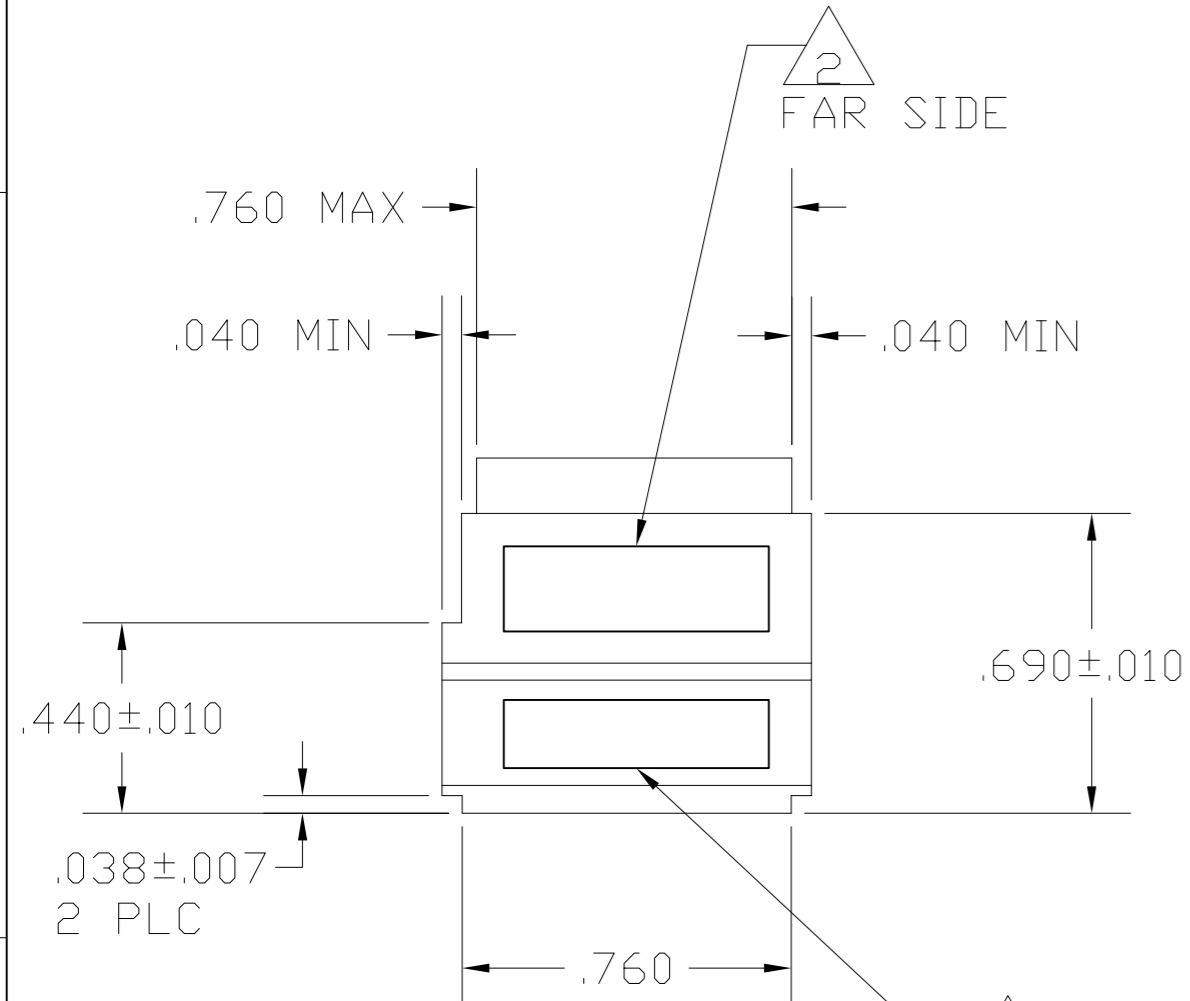
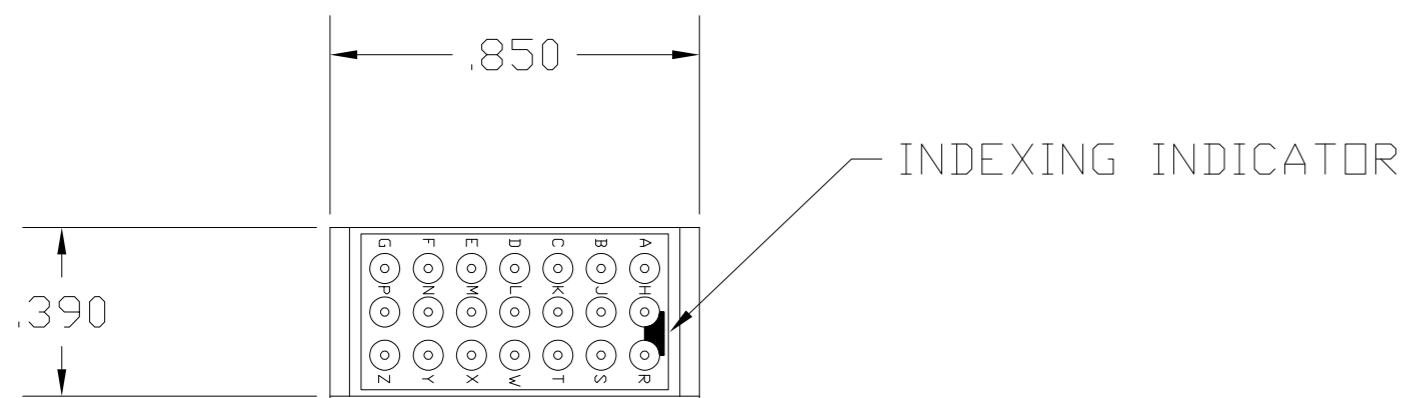
Email & Skype: info@chipsmall.com Web: www.chipsmall.com

Address: A1208, Overseas Decoration Building, #122 Zhenhua RD., Futian, Shenzhen, China



THIS DRAWING IS UNPUBLISHED.		RELEASED FOR PUBLICATION
© COPYRIGHT - By -		ALL RIGHTS RESERVED.
DESCRIPTION	MATERIAL	FINISH
MODULE ASSEMBLY	EPOXY	COLOR: BLACK
GROMMET	FLUORSILICONE RUBBER	COLOR: BLUE
CONTACT SOCKET	BERYLLIUM COPPER PER QQ-C-533	GOLD PLATE PER MIL-G-45204
RETAINING CLIP	BERYLLIUM COPPER PER QQ-C-533 OR STAINLESS STEEL PER QQ-S-766	NONE
CONTACTS	COPPER ALLOY PER MIL-C-39029/1	GOLD PLATE PER MIL-G-45204
SEALING PLUGS	F.E.P. PER MIL-P-19468	COLOR: BLACK

LDC		DIST		REVISIONS			
DF	AO	P	LTR	DESCRIPTION	DATE	DWN	APVD
		D		REVISED PER ECD-11-011660	08JUL11	PY	DE



BUSSING ARRANGEMENTS 3

- 3 BUSSING ARRANGEMENT OUTLINE DENOTES INTERNAL ARRANGEMENT OF CONTACT SOCKETS.
- 2 MARK MODULE ASSEMBLY WITH CUSTOMER PART NO., MILITARY PART NO. IF REQUIRED .060 MINIMUM HIGH CHARACTERS AT APPROXIMATE AREA SHOWN.
- 1 MARK MODULE ASSEMBLY WITH "AMP", AMP PART NO. AND DATE CODE .060 MINIMUM HIGH CHARACTERS AT APPROXIMATE AREA SHOWN.

THIS DRAWING IS A CONTROLLED DOCUMENT.		DWN	J. MECK	3-10-93	TE TE Connectivity																					
DIMENSIONS: INCHES		CHK	R. RYAN	3-31-93																						
TOLERANCES UNLESS OTHERWISE SPECIFIED:		APVD	R. RYAN	3-31-93																						
<table border="0"> <tr><td>0 PLC</td><td>±</td><td>-</td></tr> <tr><td>1 PLC</td><td>±</td><td>-</td></tr> <tr><td>2 PLC</td><td>±</td><td>-</td></tr> <tr><td>3 PLC</td><td>±</td><td>.005</td></tr> <tr><td>4 PLC</td><td>±</td><td>-</td></tr> <tr><td>ANGLES</td><td>±</td><td>-</td></tr> <tr><td>FINISH</td><td></td><td></td></tr> </table>		0 PLC	±	-		1 PLC	±	-	2 PLC	±	-	3 PLC	±	.005	4 PLC	±	-	ANGLES	±	-	FINISH			PRODUCT SPEC	-	NAME
0 PLC	±	-																								
1 PLC	±	-																								
2 PLC	±	-																								
3 PLC	±	.005																								
4 PLC	±	-																								
ANGLES	±	-																								
FINISH																										
MATERIAL	-	APPLICATION SPEC	-	SIZE	A2																					
		WEIGHT	-	CAGE CODE	00779																					
		CUSTOMER DRAWING	-	DRAWING NO	C-592629																					
				RESTRICTED TO	-																					
				SCALE	2: 1																					
				SHEET	1 of 2																					
				REV	D																					


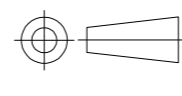
THIS DRAWING IS UNPUBLISHED. RELEASED FOR PUBLICATION
 © COPYRIGHT - By - ALL RIGHTS RESERVED.

LDC		DIST		REVISIONS			
P	LTR	DESCRIPTION	DATE	DWN	APVD		
-	-	SEE SHEET 1	-	-	-		

Part No.	46	45	44	43	42	40	39	38	37	36	35	34	33	32	31	30	SEALING PLUG QTY	CONTACTS QTY	PART NO.
MRTB21D43				X													--	--	4-592629-9
MRTB21D39						X											--	--	4-592629-8
M81714/17-D30														X			X	X	4-592629-7
M81714/17-D45	X																X	X	4-592629-5
M81714/17-D36								X									X	X	4-592629-4
M81714/17-D43				X													X	X	4-592629-3
M81714/17-D42					X												X	X	4-592629-2
M81714/17-D41																	OBSOLETE		4-592629-1
-----				X													--	--	4-592629-0
-----																	SUPERCEDED BY 4-592629-9		3-592629-3
MRTB21D42					X												--	--	3-592629-2
MRTB21D44		X																	3-592629-1
MRTB21D37								X											3-592629-0
MRTB21D36									X										2-592629-9
MRTB21D35										X									2-592629-8
MRTB21D34											X								2-592629-7
MRTB21D32													X						2-592629-6
MRTB21D31														X					2-592629-5
MRTB21D30															X				2-592629-4
G383962-1							X										X	X	2-592629-3
-----																			2-592629-2
77A112809-2	X																X	X	2-592629-1
-----																			2-592629-0
M81714/17-D44		X															X	X	1-592629-9
-----																			1-592629-8
M81714/17-D40					X												X	X	1-592629-7
-----																			1-592629-6
M81714/17-D39						X											X	X	1-592629-5
-----																			1-592629-4
M81714/17-D38								X									X	X	1-592629-3
-----																			1-592629-2
M81714/17-D37									X								X	X	1-592629-1
-----																			1-592629-0
M81714/17-D35										X							X	X	592629-9
-----																			592629-8
M81714/17-D34											X						X	X	592629-7
-----																			592629-6
M81714/17-D33													X				X	X	592629-5
-----																			592629-4
M81714/17-D32														X			X	X	592629-3
-----																			592629-2
M81714/17-D31															X		X	X	592629-1

MARKING


THIS DRAWING IS A CONTROLLED DOCUMENT.

DIMENSIONS: INCHES	TOLERANCES UNLESS OTHERWISE SPECIFIED:	DWN J. MECK 3-10-93	 TE Connectivity
	0 PLC ± -	CHK R. RYAN 3-31-93	
	1 PLC ± -	APVD R. RYAN 3-31-93	
	2 PLC ± -	PRODUCT SPEC	
MATERIAL	FINISH	APVD R. RYAN 3-31-93	NAME
		APPLICATION SPEC	MODULE ASSY, FEED-BACK, SIZE 21, TJ
		WEIGHT	SIZE CAGE CODE DRAWING NO RESTRICTED TO
		CUSTOMER DRAWING	A200779 C-592629
		SCALE 2:1 SHEET 2 OF 2 REV D	