



Chipsmall Limited consists of a professional team with an average of over 10 year of expertise in the distribution of electronic components. Based in Hongkong, we have already established firm and mutual-benefit business relationships with customers from,Europe,America and south Asia,supplying obsolete and hard-to-find components to meet their specific needs.

With the principle of “Quality Parts,Customers Priority,Honest Operation,and Considerate Service”,our business mainly focus on the distribution of electronic components. Line cards we deal with include Microchip,ALPS,ROHM,Xilinx,Pulse,ON,Everlight and Freescale. Main products comprise IC,Modules,Potentiometer,IC Socket,Relay,Connector.Our parts cover such applications as commercial,industrial, and automotives areas.

We are looking forward to setting up business relationship with you and hope to provide you with the best service and solution. Let us make a better world for our industry!



## Contact us

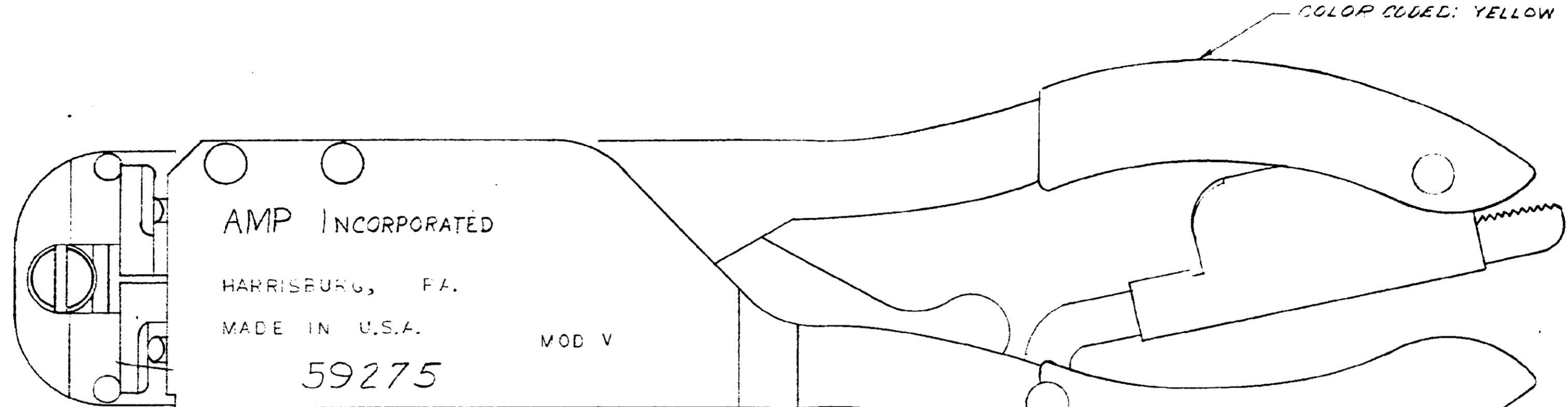
Tel: +86-755-8981 8866 Fax: +86-755-8427 6832

Email & Skype: info@chipsmall.com Web: www.chipsmall.com

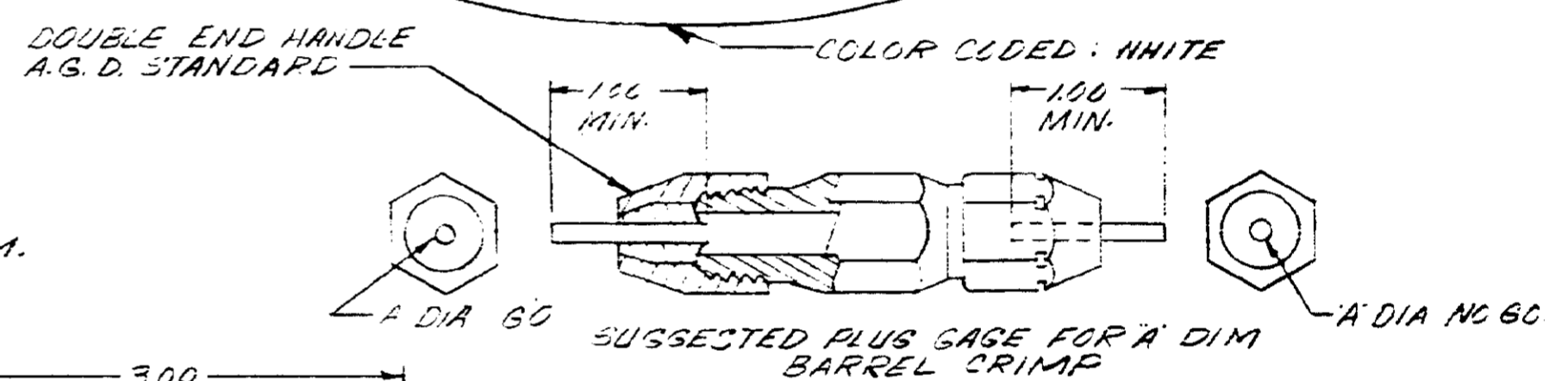
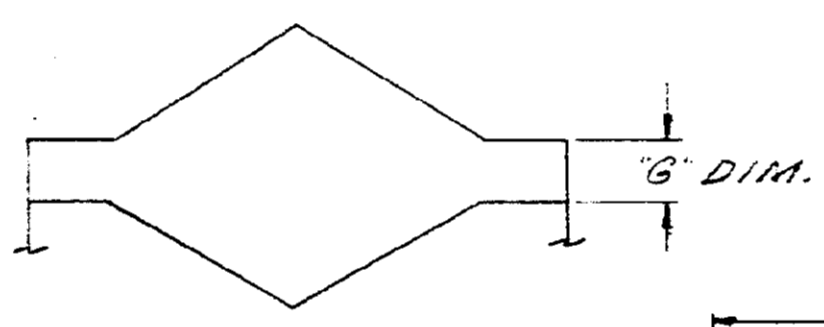
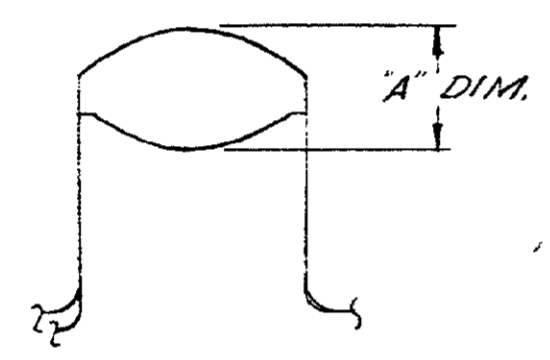
Address: A1208, Overseas Decoration Building, #122 Zhenhua RD., Futian, Shenzhen, China



NUMBER 59275



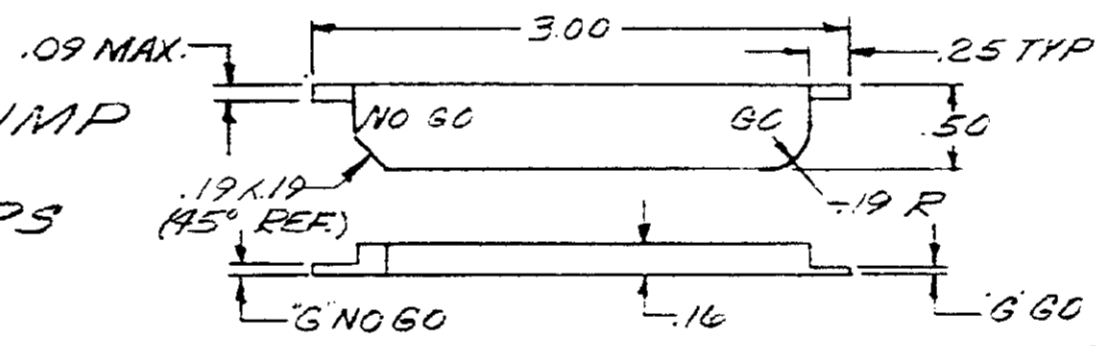
NOTE:  
 1. WHEN PLUG OR SLUG GAGING OF BARREL CRIMP IT IS IMPORTANT TO NOTE THAT DIMENSION "A" IS THE FIGURE REQUIRED  
 PLUG GAGE DIMENSIONS APPLY WHEN TOOL IS BOTTOMED BUT NOT UNDER PRESSURE.



BARREL - CRIMP

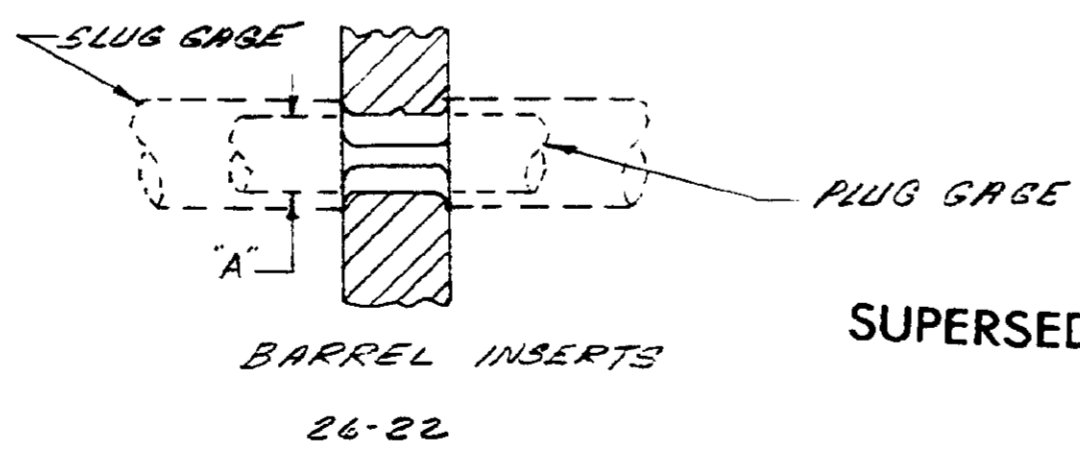
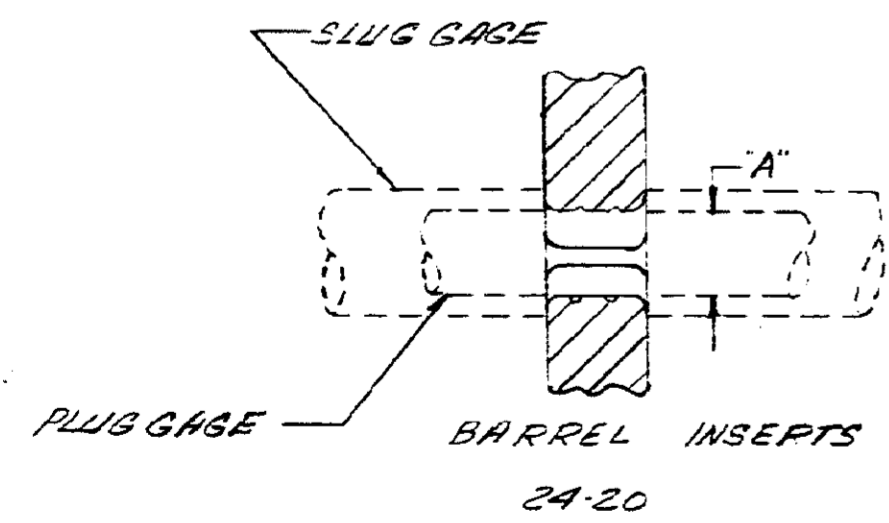
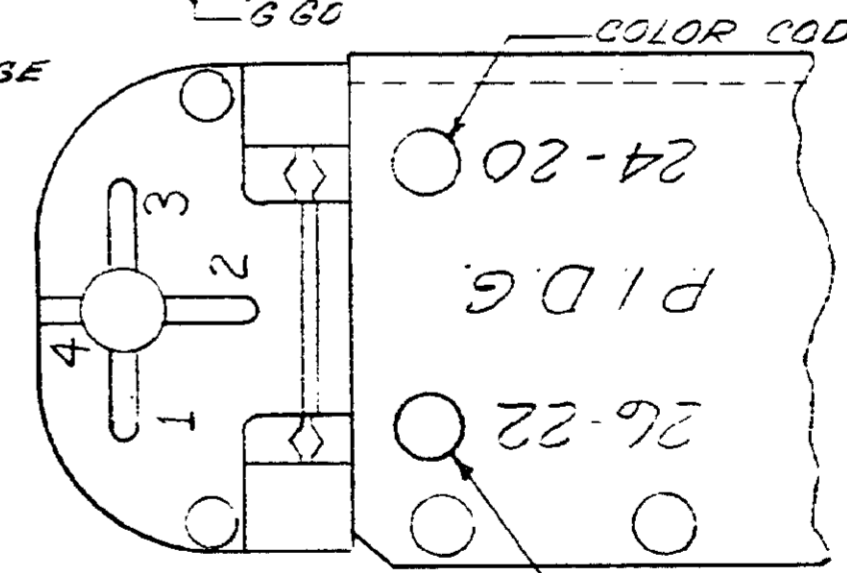
INSULATION - CRIMP

ENLARGED VIEW OF CRIMPS



WIRE SIZE	"A" DIA. BARREL CRIMP		"G" DIM. INSUL. CRIMP	
	G0	NG 60	G0 AT POS #1	NG 60 AT POS #4
26-22	.063	.069	.025	.075
24-20	.089	.095	.035	.085

SUGGESTED PLUG GAGE FOR "G" DIM. INSULATION CRIMP



SUPERSEDED BY I.S. 1610

DIMENSIONS IN INCHES DO NOT SCALE PRINT

REV	DESCRIPTION	DATE
VI	SUB BY I.S. 1610	12-31-62
V	REVISED	12-31-62
LTR	REVISION RECORD	ECH

REQUIRED PER ASSEMBLY	QTY	NUMBER	NAME	REMARKS	ITEM NO.
<p>AMP INCORPORATED HARRISBURG, PA. ALL RIGHTS RESERVED. AMP PRODUCTS COVERED BY PATENTS AND/OR PATENTS PENDING.</p>					
<p>DR: P. J. ... 12-31-62</p> <p>CHK: L. J. ... 12-31-62</p> <p>DE:</p> <p>APP: L. J. ... 12-31-62</p>			<p>MATERIAL AND FINISH</p> <p>WIRE - RANGE - INSULATION: 26-22 - + - +</p> <p>TOLERANCE EXCEPT AS NOTED: ± .015 ± .1" 0</p> <p>SCALE: 2:1</p> <p>LOC: MC</p> <p>NO: 59275</p> <p>REV: VI</p>		
<p>DESCRIPTION: T HEAD ASSEMBLY MOD V</p>				<p>CUSTOMER COPY REFERENCE ONLY</p> <p>AMP INCORPORATED HARRISBURG, PENNA.</p>	