



Chipsmall Limited consists of a professional team with an average of over 10 year of expertise in the distribution of electronic components. Based in Hongkong, we have already established firm and mutual-benefit business relationships with customers from,Europe,America and south Asia,supplying obsolete and hard-to-find components to meet their specific needs.

With the principle of “Quality Parts,Customers Priority,Honest Operation,and Considerate Service”,our business mainly focus on the distribution of electronic components. Line cards we deal with include Microchip,ALPS,ROHM,Xilinx,Pulse,ON,Everlight and Freescale. Main products comprise IC,Modules,Potentiometer,IC Socket,Relay,Connector.Our parts cover such applications as commercial,industrial, and automotives areas.

We are looking forward to setting up business relationship with you and hope to provide you with the best service and solution. Let us make a better world for our industry!



## Contact us

Tel: +86-755-8981 8866 Fax: +86-755-8427 6832

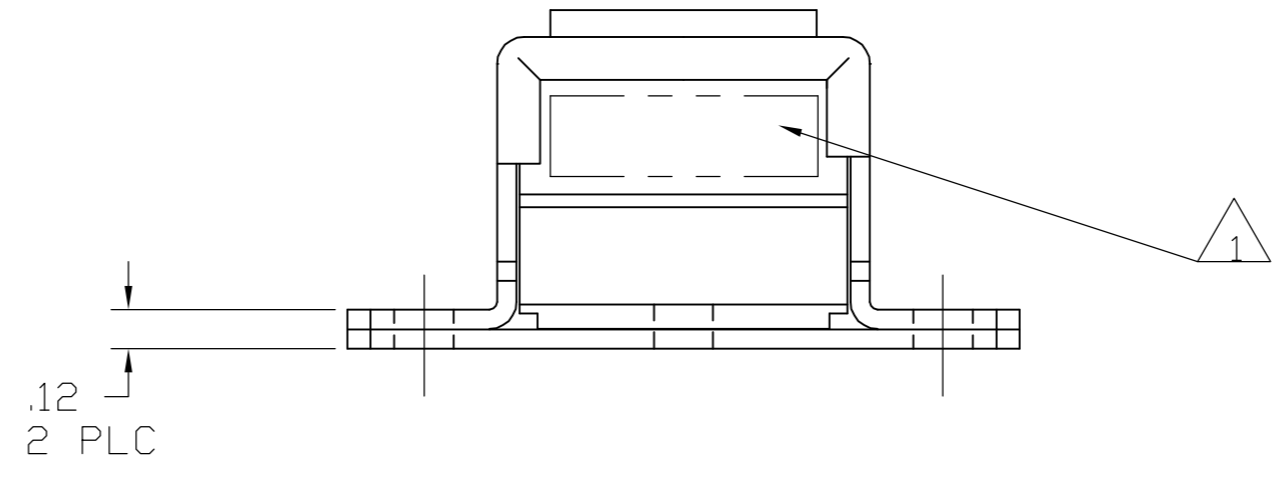
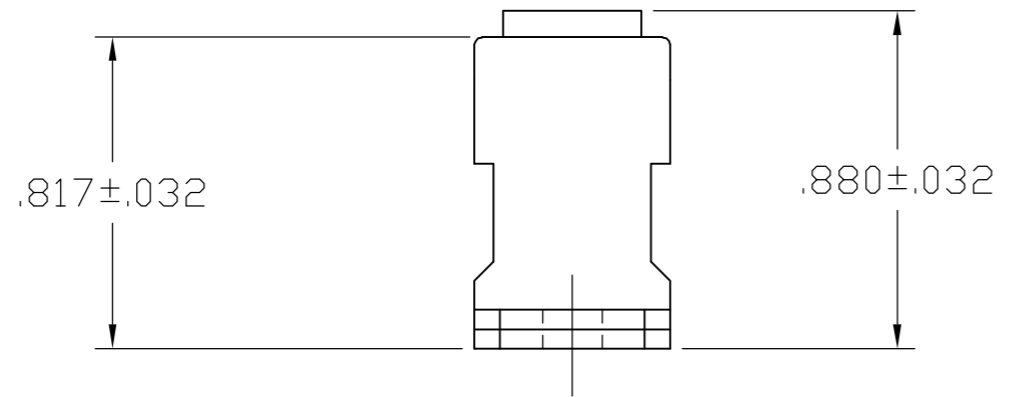
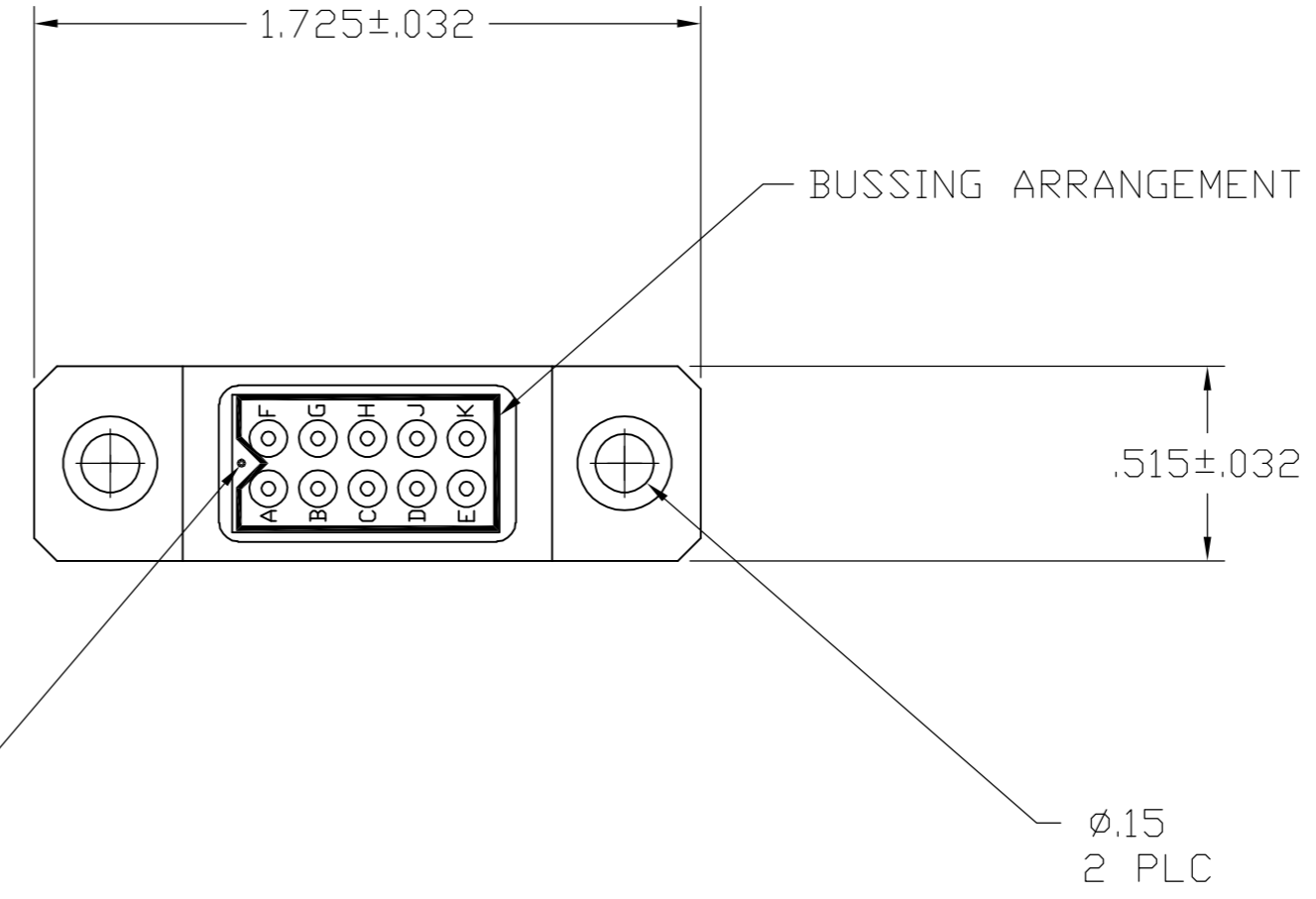
Email & Skype: info@chipsmall.com Web: www.chipsmall.com

Address: A1208, Overseas Decoration Building, #122 Zhenhua RD., Futian, Shenzhen, China



THIS DRAWING IS UNPUBLISHED.		RELEASED FOR PUBLICATION
© COPYRIGHT BY TYCO ELECTRONICS CORPORATION. ALL RIGHTS RESERVED.		
DESCRIPTION	MATERIAL	FINISH
GROMMET	FLUOROSILICONE	COLOR: BLUE
MODULE ASSEMBLY	EPOXY, EPIALL 1908B OR E484 OR FIBERITE E8354	COLOR: BLACK
CONTACT, SOCKET ASSEMBLY	BERYLLIUM COPPER PER ASTM-B194	GOLD PLATE PER MIL-G-45204
CLIP CONTACT RETAINING	BERYLLIUM COPPER PER ASTM-B194 OR STAINLESS STEEL PER QQ-S-766	NONE
BRACKET / GROUNDING PLATE	AL-ALLOY 6061-T4	NICKEL PLATE PER QQ-N-290
CONTACT QTY 11	COPPER ALLOY PER MIL-C-39029/1	GOLD PLATE PER MIL-G-45204
SEALING PLUG QTY 2	F.E.P. PER MIL-P-19468	COLOR: RED

LDC		DIST		REVISIONS			
DF	AO	P	LTR	DESCRIPTION	DATE	DWN	APVD
		C		REV PER ECD 07-001386	1-19-07	CT	DE



- 1 MARK MODULE ASSEMBLY WITH "AMP", AMP PART NO., DATE CODE, AT APPROXIMATE AREA SHOWN.
- 2 CONTACTS AND SEALING PLUGS SUPPLIED WITH MODULE ASSEMBLY.

—	SIZE 22	592836-3
—	SIZE 20	592836-2
2	SIZE 20	592836-1
REMARKS	DESCRIPTION	PART NO.

THIS DRAWING IS A CONTROLLED DOCUMENT.		DWN	C. C. THOMAS	5-26-99	Tyco Electronics Corporation Harrisburg, PA 17105-3608			
DIMENSIONS: INCHES		CHK	D. MILLER	5-26-99				
TOLERANCES UNLESS OTHERWISE SPECIFIED:		APVD	D. MILLER	5-26-99				
0 PLC ± - 1 PLC ± - 2 PLC ± .02 3 PLC ± .005 4 PLC ± - ANGLES ± - FINISH SEE TABLE		NAME		PRODUCT SPEC				
MATERIAL SEE TABLE		APPLICATION SPEC		—	SIZE	CAGE CODE	DRAWING NO	RESTRICTED TO
		WEIGHT		—	A2	00779	C-592836	—
		CUSTOMER DRAWING		SCALE	2: 1	SHEET	1 of 1	REV
								C