



Chipsmall Limited consists of a professional team with an average of over 10 year of expertise in the distribution of electronic components. Based in Hongkong, we have already established firm and mutual-benefit business relationships with customers from,Europe,America and south Asia,supplying obsolete and hard-to-find components to meet their specific needs.

With the principle of “Quality Parts,Customers Priority,Honest Operation,and Considerate Service”,our business mainly focus on the distribution of electronic components. Line cards we deal with include Microchip,ALPS,ROHM,Xilinx,Pulse,ON,Everlight and Freescale. Main products comprise IC,Modules,Potentiometer,IC Socket,Relay,Connector.Our parts cover such applications as commercial,industrial, and automotives areas.

We are looking forward to setting up business relationship with you and hope to provide you with the best service and solution. Let us make a better world for our industry!



## Contact us

Tel: +86-755-8981 8866 Fax: +86-755-8427 6832

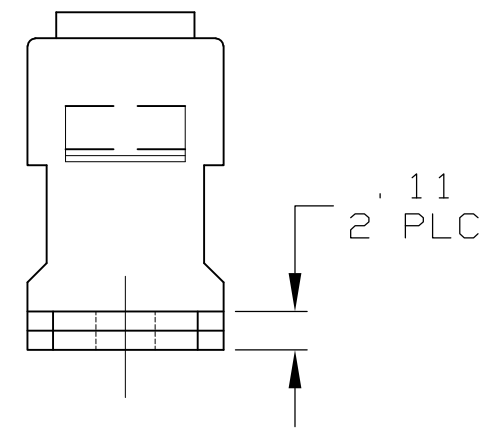
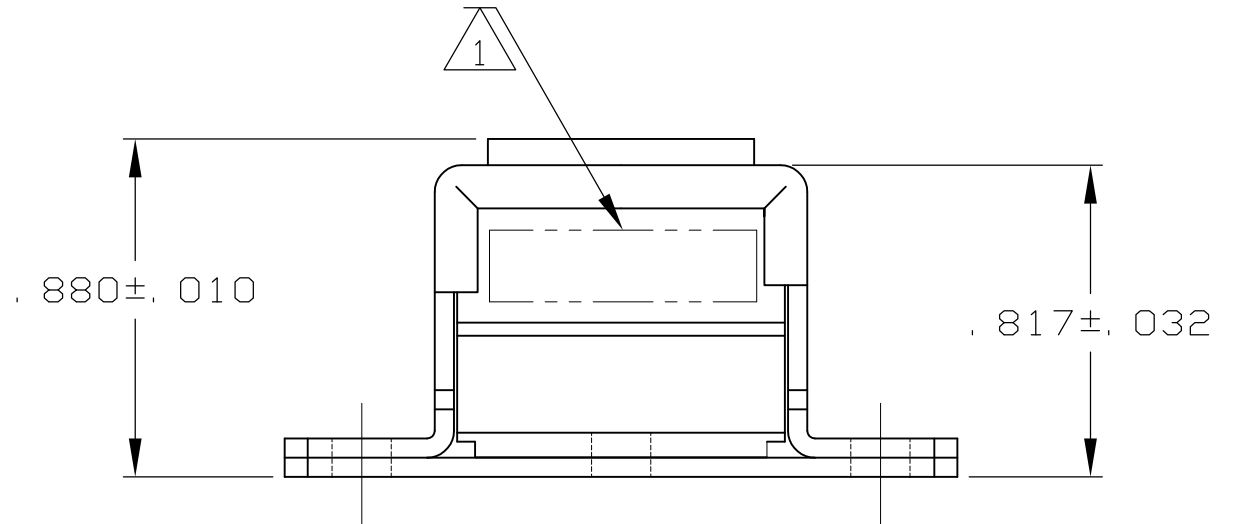
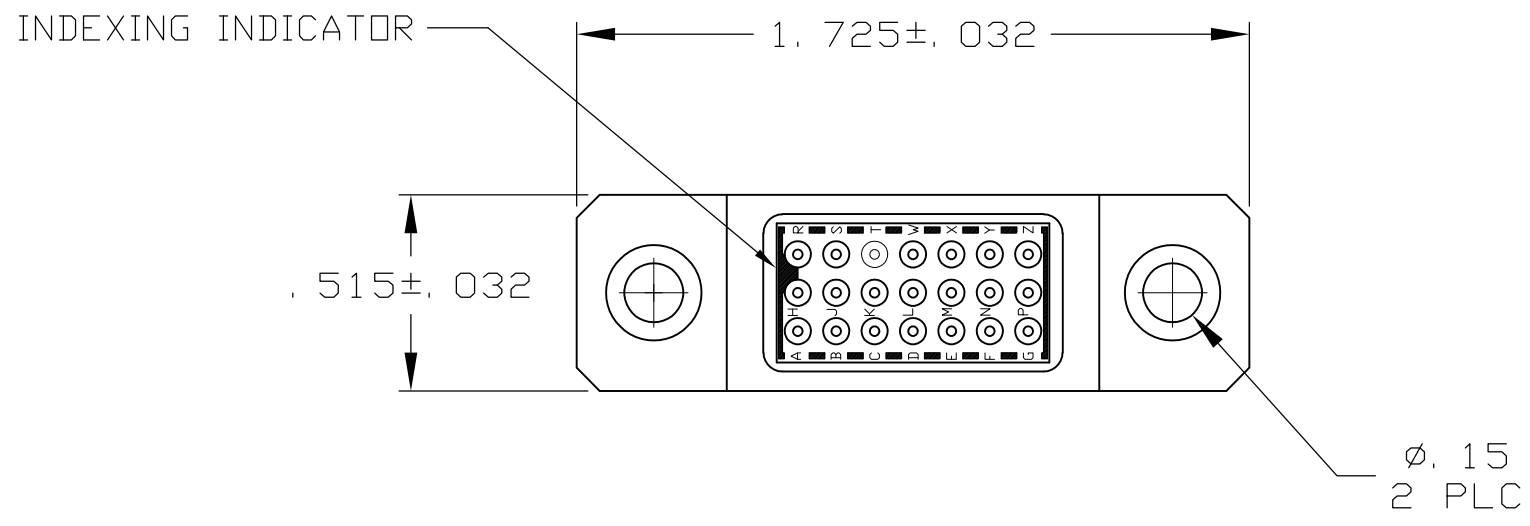
Email & Skype: info@chipsmall.com Web: www.chipsmall.com

Address: A1208, Overseas Decoration Building, #122 Zhenhua RD., Futian, Shenzhen, China



DESCRIPTION	MATERIAL	FINISH
GROMMET	FLUID RESISTANT SILICONE	COLOR: GREEN
MODULE ASSEMBLY	D.A.P. PER MIL-M-14 TYPE SDG-F	COLOR: GREEN
CONTACT, SOCKET ASSEMBLY	BERYLLIUM COPPER PER ASTM-B194	GOLD PLATE PER MIL-G-45204
CLIP CONTACT RETAINING	BERYLLIUM COPPER PER ASTM-B194 OR SST PER QQ-S-766	NONE
BRACKET / GROUNDING PLATE	AL-ALLOY 6061-T4	ELECTROLESS NICKEL PER QQ-N-290
CONTACTS	COPPER ALLOY PER MIL-C-32029/1	GOLD PLATE PER MIL-G-45204
SEALING PLUGS	F.E.P. PER MIL-P-19468	COLOR: BLACK

LDC		DIST		REVISIONS			
P	LTR	DESCRIPTION	DATE	DWN	APVD		
	B	REV PER ECD 07-001386	1-19-07	CT	DE		
	C	REV PER ECD 08-011578	05-12-08	CT	DE		



- 1 MODULE ASSEMBLY MARKED WITH "AMP", AMP PART NO. AND DATE CODE IN APPROX AREA SHOWN.
- 2 CONTACTS AND SEALING PLUGS SUPPLIED WITH MODULE ASSY.

-	SIZE 21	592840-2
2	SIZE 21	592840-1
REMARKS	DESCRIPTION	PART NO.

THIS DRAWING IS A CONTROLLED DOCUMENT.		DWN C. C. THOMAS 8-24-04	Tyco Electronics Corporation Harrisburg, Pa 17105-3608	
DIMENSIONS: INCHES	TOLERANCES UNLESS OTHERWISE SPECIFIED:	CHK D. EABY 8-24-04	NAME MODULE ASSEMBLY W/GROUNDING BRACKET, SIZE 21, TJ	
	0 PLC ± -	APVD D. EABY 8-24-04	SIZE	CAGE CODE
	1 PLC ± -	PRODUCT SPEC	A2	00779
	2 PLC ± .02	APPLICATION SPEC	DRAWING NO	RESTRICTED TO
	3 PLC ± .005		C=592840	-
	4 PLC ± -		SCALE 2:1	SHEET 1 OF 1
MATERIAL SEE TABLE	FINISH SEE TABLE	WEIGHT -	CUSTOMER DRAWING	REV C

592840