



Chipsmall Limited consists of a professional team with an average of over 10 year of expertise in the distribution of electronic components. Based in Hongkong, we have already established firm and mutual-benefit business relationships with customers from,Europe,America and south Asia,supplying obsolete and hard-to-find components to meet their specific needs.

With the principle of “Quality Parts,Customers Priority,Honest Operation,and Considerate Service”,our business mainly focus on the distribution of electronic components. Line cards we deal with include Microchip,ALPS,ROHM,Xilinx,Pulse,ON,Everlight and Freescale. Main products comprise IC,Modules,Potentiometer,IC Socket,Relay,Connector.Our parts cover such applications as commercial,industrial, and automotives areas.

We are looking forward to setting up business relationship with you and hope to provide you with the best service and solution. Let us make a better world for our industry!



Contact us

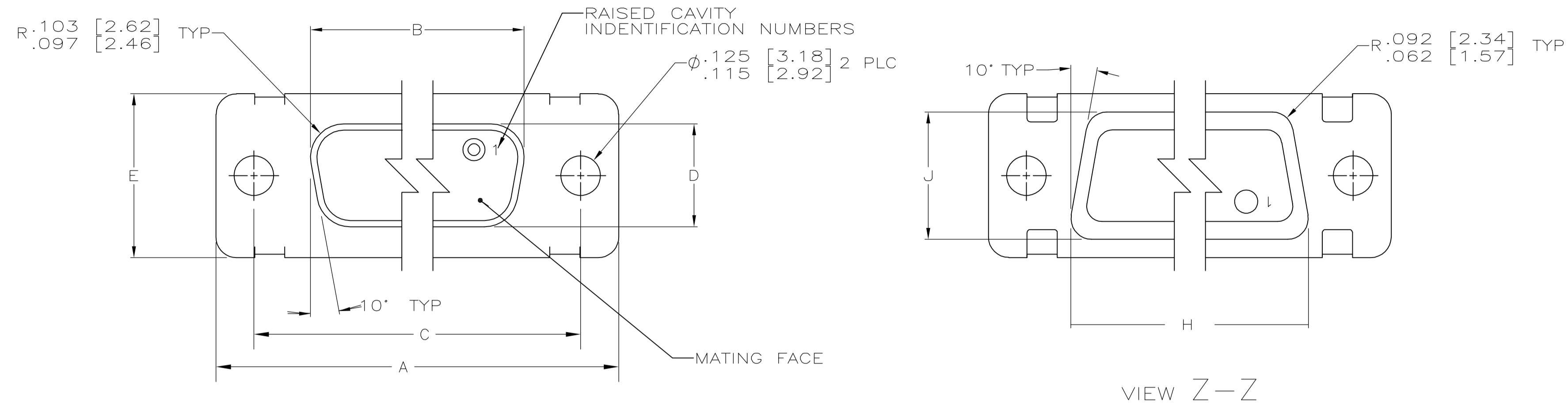
Tel: +86-755-8981 8866 Fax: +86-755-8427 6832

Email & Skype: info@chipsmall.com Web: www.chipsmall.com

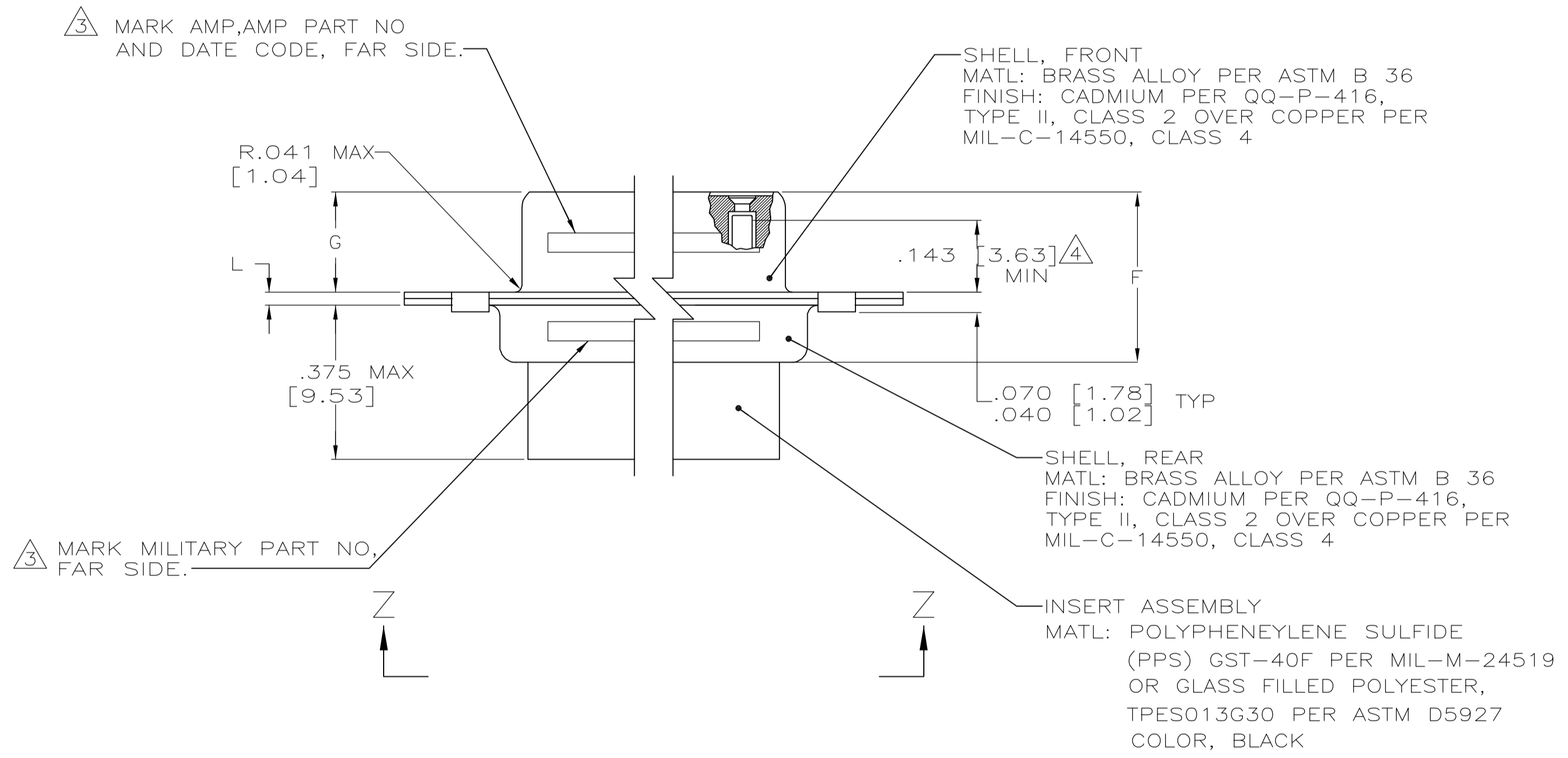
Address: A1208, Overseas Decoration Building, #122 Zhenhua RD., Futian, Shenzhen, China



REVISONS		DATE	DWN	APVD
LOC	DIST			
P	LTR	DESCRIPTION		
C		REV PER ECO-06-018048	05OCT06	PY DM



1. THIS CONNECTOR ASSEMBLY IS SUPPLIED WITH METAL CONTACT RETENTION CLIPS INSTALLED IN THE INSERT ASSEMBLY.
2. THIS CONNECTOR ASSEMBLY MEETS THE REQUIREMENTS OF MIL-C-24308 AND MATES WITH ANY PLUG CONNECTOR WITH SAME INSERT ARRANGEMENT.
3. THE PART NUMBER MARKED ON THE CONNECTOR DIFFERS FROM THE PART NUMBER ORDERED DUE TO THE MARKING REQUIREMENTS OF MIL-C-24308/6 (PART NUMBER MARKED ON CONNECTOR REPRESENTS CONNECTOR ASSEMBLY WITH CONTACTS). MARK WITH .047 [1.19]-.062 [1.57] HIGH CHARACTERS. FAR SIDE REFERS TO THE WIDE SIDE OF THE KEYSTONE. NEAR SIDE REFERS TO THE NARROW SIDE OF THE KEYSTONE. IF THE REAR SHELL IS TOO SMALL FOR THE ENTIRE MILITARY PART NUMBER, MARKING SHALL BE LOCATED AS FOLLOWS:
 - A. "M24308" ON FRONT SHELL, FAR SIDE.
 - B. SLASH SHEET AND DASH NUMBER ON REAR SHELL, FAR SIDE.
 - C. "AMP" AND DATE CODE ON FRONT SHELL, NEAR SIDE.
 - D. AMP PART NUMBER ON REAR SHELL, NEAR SIDE.
 IF THE FRONT SHELL IS TOO SMALL FOR "AMP", AMP PART NUMBER AND DATE CODE, THEN SPLIT AS FOLLOWS:
 - A. AMP PART NUMBER ON REAR SHELL, NEAR SIDE.
 - B. "AMP" AND DATE CODE ON FRONT SHELL, NEAR SIDE.
 - C. MILITARY PART NUMBER ON REAR SHELL, FAR SIDE.



4. POINT OF ELECTRICAL ENGAGEMENT - AS MEASURED WITH A .0295 [0.749] - .0305 [0.775] DIAMETER SQUARE ENDED TEST PIN. CONTACT NOT INCLUDED - SHOWN FOR DIMENSIONAL REFERENCE ONLY.
5. THIS CONNECTOR ASSEMBLY IS DESIGNED TO ACCEPT SIZE 22 CRIMP TYPE SOCKET CONTACT MILITARY PART NUMBER M39029/57-354 (AMP PART NUMBER 204351-1). FOR ALTERNATE CONTACT OPTIONS CONSULT AMP CATALOG 82069.
6. MAXIMUM WIRE INSULATION TO BE USED WITH THIS CONNECTOR ASSEMBLY IS .054 [1.37] DIAMETER.
7. FOR CONTACT CRIMPING INSTRUCTION SHEET REFER TO AMP IS 408-7516. FOR CONTACT INSTALLATION AND REMOVAL INSTRUCTION SHEET REFER TO AMP IS 408-7508.
8. PART NUMBER FOR ORDERING.
9. DIMENSIONS AND TOLERANCES PER ANSI Y14.5M-1982.
10. THIS DRAWING SHALL BE INTERPRETED IN ACCORDANCE WITH APPLICABLE STANDARDS LISTED IN MIL-STD-100.

.049 [1.24] [.029 0.74]	.544 [13.82] [.524 13.31]	2.188 [55.58] [2.168 55.07]			.620 [15.75] [.590 14.99]	.428 [10.87] [.418 10.62]	2.411 [61.24] [2.401 60.99]	2.069 [52.55] [2.059 52.30]	2.650 [67.31] [2.620 66.55]	MS18277-2	78	5	M24308/6-290F	M24308/6-15F	593041-5	593048-5
		2.282 [57.96] [2.262 57.45]					2.505 [63.63] [2.495 63.37]	2.164 [54.97] [2.154 54.71]	2.744 [69.70] [2.714 68.94]	MS18276-2	62	4	M24308/6-289F	M24308/6-14F	593041-4	593048-4
	.432 [10.97] [.412 10.46]	1.635 [41.53] [1.615 41.02]	.248 [6.30] [.238 6.05]	.439 [11.15] [.419 10.64]	.509 [12.93] [.479 12.17]	.316 [8.03] [.306 7.77]	1.857 [47.17] [1.847 46.91]	1.516 [38.51] [1.506 38.25]	2.103 [53.42] [2.073 52.65]	MS18275-2	44	3	M24308/6-288F	M24308/6-13F	593041-3	593048-3
.040 [1.02] [.020 0.51]		1.093 [27.76] [1.073 27.25]					1.317 [33.45] [1.307 33.20]	.976 [24.79] [.966 24.54]	1.556 [39.52] [1.526 38.76]	MS18274-2	26	2	M24308/6-287F	M24308/6-12F	593041-2	593048-2
		.769 [19.53] [.749 19.02]					.989 [25.12] [.979 24.87]	.648 [16.46] [.638 16.21]	1.228 [31.19] [1.198 30.43]	MS18273-2	15	1	M24308/6-286F	M24308/6-11F	593041-1	593048-1
L	J	H	G	F	E	D	C	B	A	INSERT ARRANGEMENT	NO OF POS	SHELL SIZE	PACKAGE MILITARY P/N	MILITARY P/N ON CONNECTOR	AMP P/N ON CONNECTOR	PART NUMBER

THIS DRAWING IS A CONTROLLED DOCUMENT.

DIMENSIONS: INCHES	TOLERANCES UNLESS OTHERWISE SPECIFIED:	DWN: AJ GRAFF 11-18-92	APVD: B. GILLMAN 11-24-92	NAME: F. KINSEY 11-24-92	PRODUCT SPEC
	0 PLC ± -				APPLICATION SPEC
	1 PLC ± -				SIZE: A1
	2 PLC ± -				DWG NO: 00779
	3 PLC ± .005 [0.13]				SCALE: 4:1
	4 PLC ± -				SHEET: 1 OF 1
	ANGLES ± -				REV: C

MATERIAL: SEE CALLOUTS FINISH: SEE CALLOUTS WEIGHT: -

CUSTOMER DRAWING

tyco Electronics Tyco Electronics Corporation Harrisburg, PA 17105-3608

AMPLIMITE NONMAGNETIC RCPT ASSY WITHOUT SIZE 22 CRIMP SOCKET CONTACTS, SERIES 90 SHELL SIZES 1 THRU 5