



Chipsmall Limited consists of a professional team with an average of over 10 year of expertise in the distribution of electronic components. Based in Hongkong, we have already established firm and mutual-benefit business relationships with customers from,Europe,America and south Asia,supplying obsolete and hard-to-find components to meet their specific needs.

With the principle of “Quality Parts,Customers Priority,Honest Operation,and Considerate Service”,our business mainly focus on the distribution of electronic components. Line cards we deal with include Microchip,ALPS,ROHM,Xilinx,Pulse,ON,Everlight and Freescale. Main products comprise IC,Modules,Potentiometer,IC Socket,Relay,Connector.Our parts cover such applications as commercial,industrial, and automotives areas.

We are looking forward to setting up business relationship with you and hope to provide you with the best service and solution. Let us make a better world for our industry!



Contact us

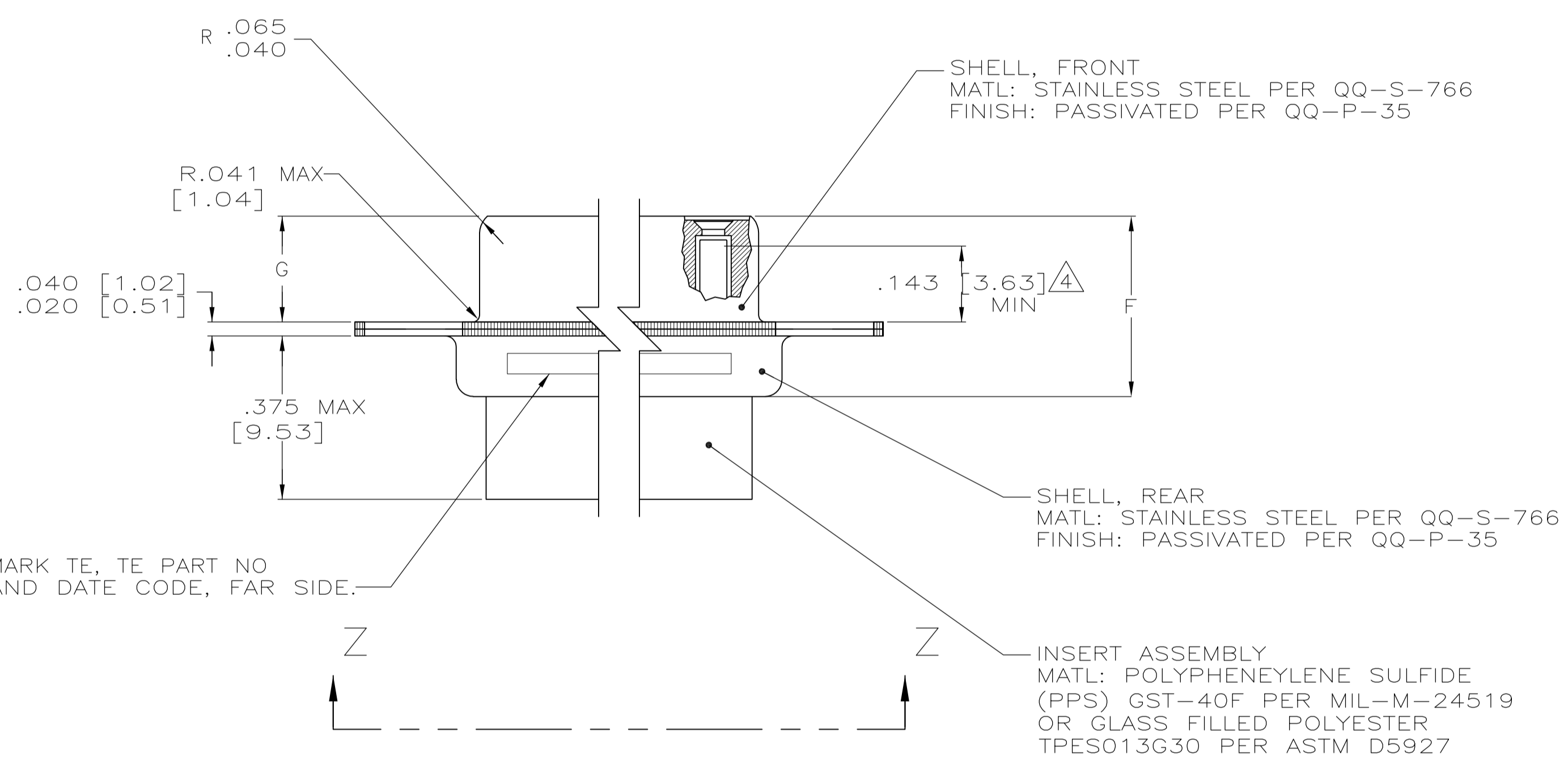
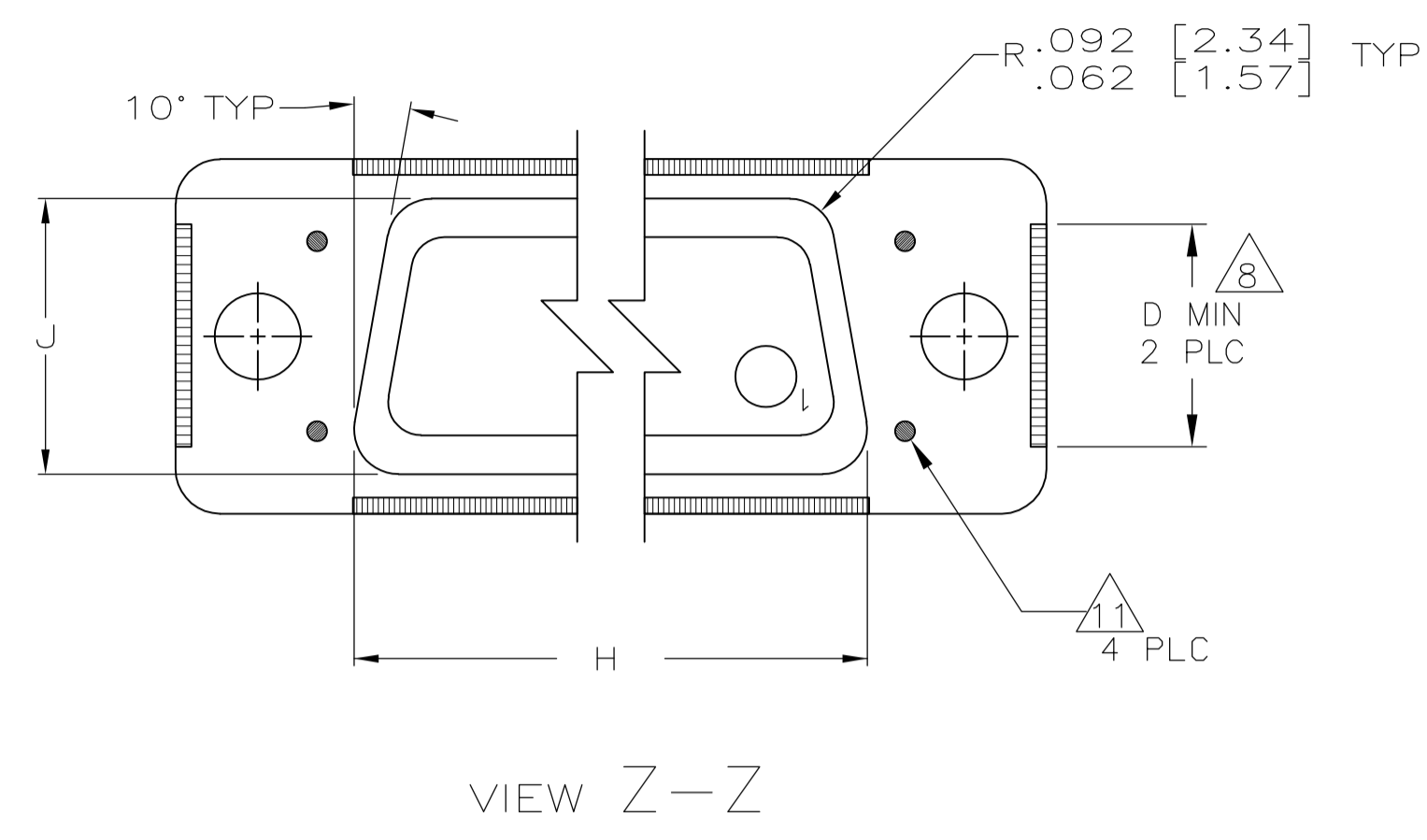
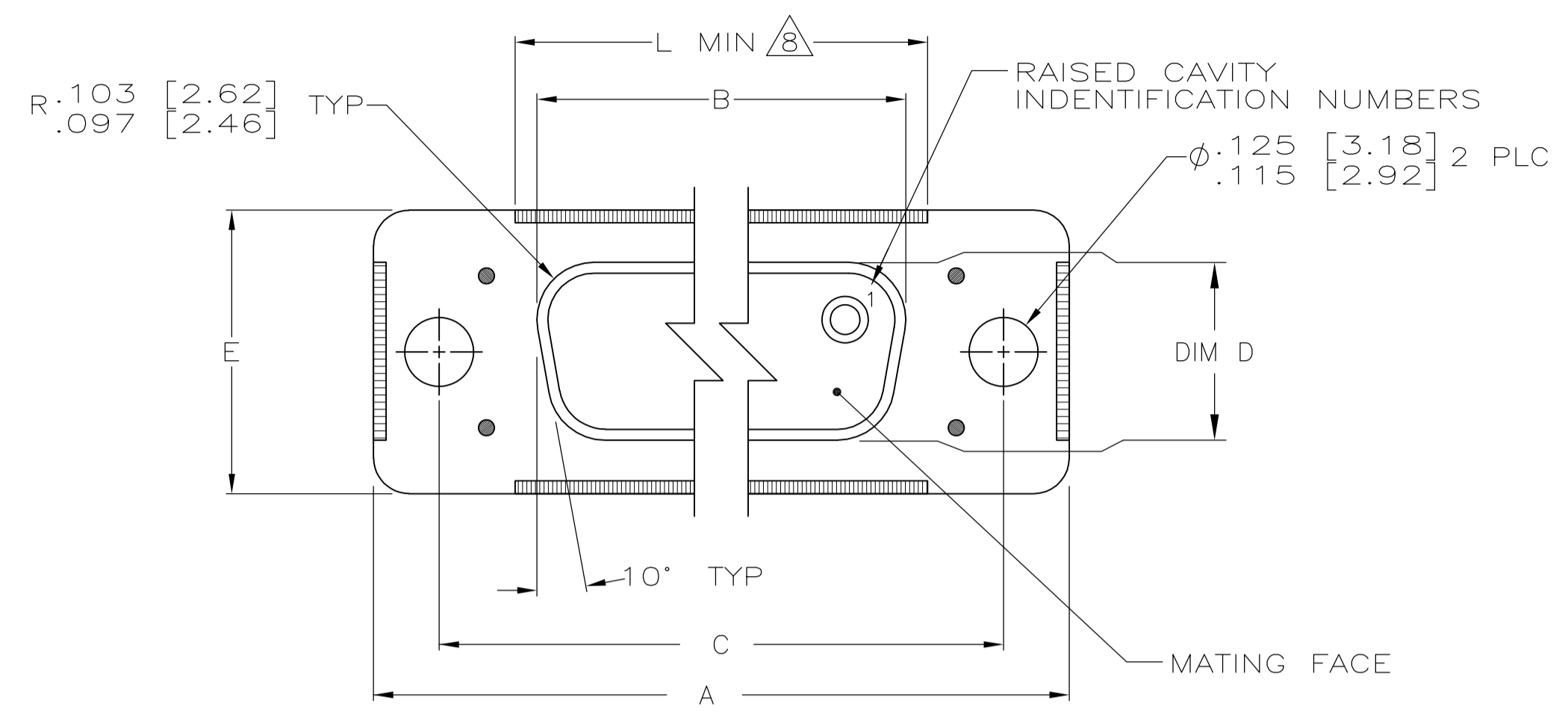
Tel: +86-755-8981 8866 Fax: +86-755-8427 6832

Email & Skype: info@chipsmall.com Web: www.chipsmall.com

Address: A1208, Overseas Decoration Building, #122 Zhenhua RD., Futian, Shenzhen, China



LOC		DIST		REVISIONS			
P	LTR	DESCRIPTION	DATE	DNW	APVD		
G	REV PER ECO	14-007635	5-21-14	CT	CD		



- THIS CONNECTOR ASSEMBLY IS SUPPLIED WITH METAL CONTACT RETENTION CLIPS INSTALLED IN THE INSERT ASSEMBLY.
- THE CONNECTORS DESCRIBED IN THIS DOCUMENT MEET THE ELECTRICAL REQUIREMENTS OF MIL-DTL-24308.
- MARK WITH .047 [1.19]-.062 [1.57] HIGH CHARACTERS. FAR SIDE REFERS TO THE WIDE SIDE OF THE KEYSTONE. IF THE REAR SHELL IS TOO SMALL FOR THE ENTIRE MARKING INFORMATION, MARKING SHALL BE LOCATED AS FOLLOWS:
 - "TE" AND DATE CODE ON FRONT SHELL, FAR SIDE.
 - TE PART NUMBER ON REAR SHELL, FAR SIDE.
- POINT OF ELECTRICAL ENGAGEMENT - AS MEASURED WITH A .0295 [0.749]-.0305 [0.775] DIAMETER SQUARE ENDED TEST PIN. CONTACT NOT INCLUDED - SHOWN FOR DIMENSIONAL REFERENCE ONLY.
- THIS CONNECTOR ASSEMBLY IS DESIGNED TO ACCEPT SIZE 22D CRIMP TYPE SOCKET CONTACT MILITARY PART NUMBER M39029/57-354 (TE PART NUMBER 204351-1). FOR ALTERNATE CONTACT OPTIONS CONSULT TE CATALOG.
- MAXIMUM WIRE INSULATION TO BE USED WITH THIS CONNECTOR ASSEMBLY IS .054 [1.37] DIAMETER.
- FOR CONTACT CRIMPING INSTRUCTION SHEET REFER TO TE IS 408-7516. FOR CONTACT INSTALLATION AND REMOVAL INSTRUCTION SHEET REFER TO TE IS 408-7508.
- BEAM WELDED FRONT TO REAR SHELL, AS SHOWN. LOCATION APPROXIMATE.
- DIMENSIONS AND TOLERANCES PER ANSI Y14.5M-1982.
- THIS DRAWING SHALL BE INTERPRETED IN ACCORDANCE WITH APPLICABLE STANDARDS LISTED IN MIL-STD-100.
- SPOT/TACK WELDED FRONT TO REAR SHELL, AS SHOWN. LOCATION APPROXIMATE.

MARK TE, TE PART NO AND DATE CODE, FAR SIDE.

2.064 [52.43]	.544 [13.82]	2.188 [55.58]			.620 [15.75]	.428 [10.87]	2.411 [61.24]	2.069 [52.55]	2.650 [67.31]	MS18277-2	78	5	593150-5
	.524 [13.31]	2.168 [55.07]			.590 [14.99]	.418 [10.62]	2.401 [60.99]	2.059 [52.30]	2.620 [66.55]				
2.159 [54.84]		2.282 [57.96]					2.505 [63.63]	2.164 [54.97]	2.744 [69.70]	MS18276-2	62	4	593150-4
		2.262 [57.45]					2.495 [63.37]	2.154 [54.71]	2.714 [68.94]				
1.511 [38.38]	.432 [10.97]	1.635 [41.53]	.248 [6.30]	.439 [11.15]			1.857 [47.17]	1.516 [38.51]	2.103 [53.42]	MS18275-2	44	3	593150-3
	.412 [10.46]	1.615 [41.02]	.223 [5.66]	.419 [10.64]			1.847 [46.91]	1.506 [38.25]	2.073 [52.65]				
.971 [24.66]		1.093 [27.76]			.509 [12.93]	.316 [8.03]	1.317 [33.45]	.976 [24.79]	1.556 [39.52]	MS18274-2	26	2	593150-2
		1.073 [27.25]			.479 [12.17]	.306 [7.77]	1.307 [33.20]	.966 [24.54]	1.526 [38.76]				
.643 [16.33]		.769 [19.53]					.989 [25.12]	.648 [16.46]	1.228 [31.19]	MS18273-2	15	1	593150-1
		.749 [19.02]					.979 [24.87]	.638 [16.21]	1.198 [30.43]				
L	J	H	G	F	E	D	C	B	A	INSERT ARRANGEMENT	NO OF POS	SHELL SIZE	PART NUMBER

THIS DRAWING IS A CONTROLLED DOCUMENT.

DIMENSIONS: INCHES
 TOLERANCES UNLESS OTHERWISE SPECIFIED:
 0 PLC ± -
 1 PLC ± -
 2 PLC ± -
 3 PLC ± -
 4 PLC ± -
 ANGLES ± -

MATERIAL: SEE CALLOUTS
 FINISH: SEE CALLOUTS

DWG: AJ GRAFF 3-12-93
 CHK: F. KINSEY 3-12-93
 APVD: -
 NAME: -
 PRODUCT SPEC: -
 APPLICATION SPEC: -
 WEIGHT: -
 CUSTOMER DRAWING

STE TE Connectivity
 AMPLIMITE RECEPTACLE ASSY RUGGED D, W/O SIZE 220 CRIMP TYPE SOCKET CONTACTS, SERIES 90, SHELL SIZES 1 THRU 5
 SIZE: A1
 CAGE CODE: 00779
 DRAWING NO: 593150
 SCALE: 4:1
 SHEET: 1 of 1
 REV: G