



Chipsmall Limited consists of a professional team with an average of over 10 year of expertise in the distribution of electronic components. Based in Hongkong, we have already established firm and mutual-benefit business relationships with customers from,Europe,America and south Asia,supplying obsolete and hard-to-find components to meet their specific needs.

With the principle of "Quality Parts,Customers Priority,Honest Operation,and Considerate Service",our business mainly focus on the distribution of electronic components. Line cards we deal with include Microchip,ALPS,ROHM,Xilinx,Pulse,ON,Everlight and Freescale. Main products comprise IC,Modules,Potentiometer,IC Socket,Relay,Connector.Our parts cover such applications as commercial,industrial, and automotives areas.

We are looking forward to setting up business relationship with you and hope to provide you with the best service and solution. Let us make a better world for our industry!



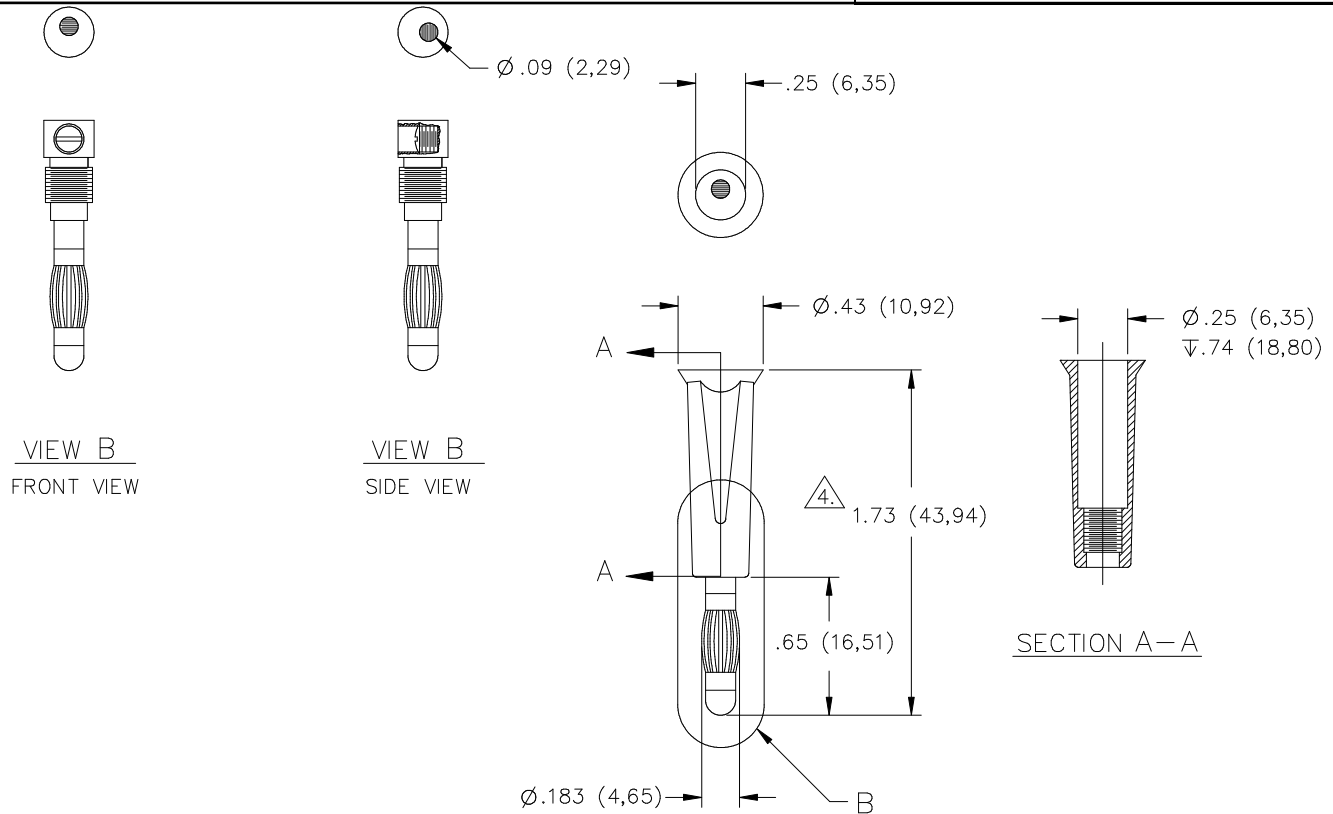
Contact us

Tel: +86-755-8981 8866 Fax: +86-755-8427 6832

Email & Skype: info@chipsmall.com Web: www.chipsmall.com

Address: A1208, Overseas Decoration Building, #122 Zhenhua RD., Futian, Shenzhen, China





FEATURES:

- Easy to assemble threaded two piece construction enables solderless wire attachment by means of an internal set screw
- Compatible with 18 to 22 AWG wire
- Banana plug spring is Beryllium Copper for long insertion life
- Banana plug body and spring are nickel plated for tarnish resistance

MATERIALS:

Plug Body: Brass, Nickel Plated

Plug Spring: Beryllium Copper, Nickel Plated

Insulation: Nylon

Set Screw: Brass

RATINGS:

Operating Voltage: 750V AC/DC (Independent of Wire)

Current: 25 Amperes Max

ORDERING INFORMATION: Model 5934-*

* = Color Code, Standard Colors: -0 Black, -2 Red

Sold in packages of 10 per color.

All dimensions are in inches. Tolerances (except noted): .xx = ±.02" (.51 mm), .xxx = ± .005" (.127 mm).

All specifications are to the latest revisions. Specifications are subject to change without notice.

Registered trademarks are the property of their respective companies. Made in USA