



Chipsmall Limited consists of a professional team with an average of over 10 year of expertise in the distribution of electronic components. Based in Hongkong, we have already established firm and mutual-benefit business relationships with customers from,Europe,America and south Asia,supplying obsolete and hard-to-find components to meet their specific needs.

With the principle of “Quality Parts,Customers Priority,Honest Operation,and Considerate Service”,our business mainly focus on the distribution of electronic components. Line cards we deal with include Microchip,ALPS,ROHM,Xilinx,Pulse,ON,Everlight and Freescale. Main products comprise IC,Modules,Potentiometer,IC Socket,Relay,Connector.Our parts cover such applications as commercial,industrial, and automotives areas.

We are looking forward to setting up business relationship with you and hope to provide you with the best service and solution. Let us make a better world for our industry!



Contact us

Tel: +86-755-8981 8866 Fax: +86-755-8427 6832

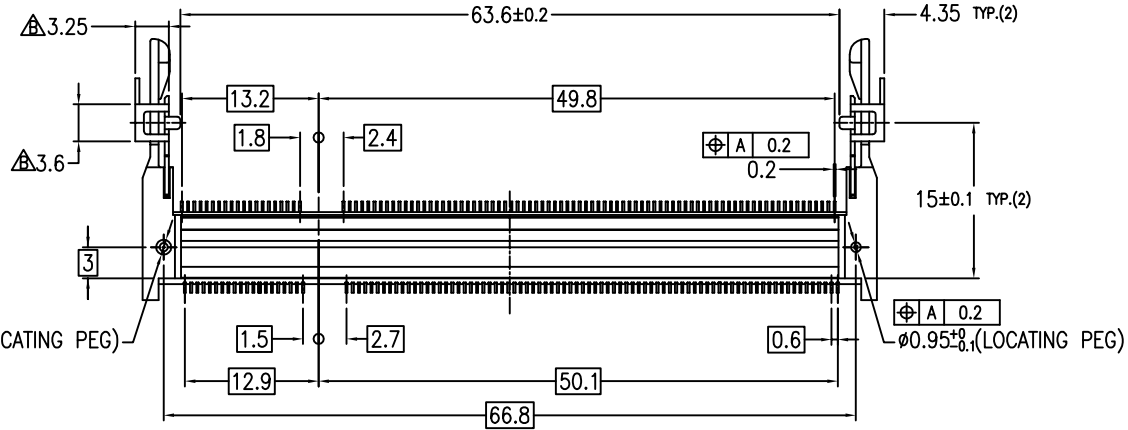
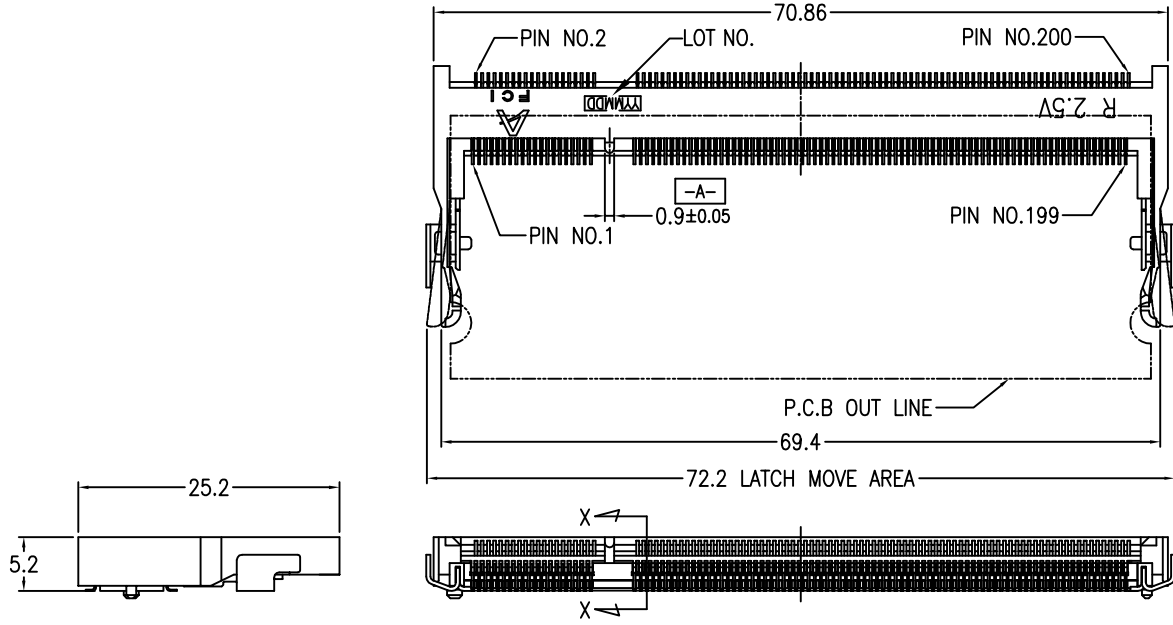
Email & Skype: info@chipsmall.com Web: www.chipsmall.com

Address: A1208, Overseas Decoration Building, #122 Zhenhua RD., Futian, Shenzhen, China



PRODUCT NO.

SEE SHEET 4



NOTE

1. PRODUCT SPEC. : GS-12-195
2. PACKAGING SPEC. : GS-14-786
3. MATERIAL
 - 1) HOUSING : LCP, UL94V-0, COLOR BLACK
 - 2) CONTACT : COPPER ALLOY
 - 3) HOLD DOWN : BRASS
4. FINISH
 - 1) TERMINAL : SEE TABLE
 - 2) HOLD DOWN : SEE TABLE
5. CO-PLANARITY : 0.1 MAX.(INCLUDE HOLD DOWN)
6. THIS PRODUCT MEETS EUROPEAN UNION DIRECTIVES AND OTHER COUNTRY REGULATIONS AS DESCRIBED IN GS-22-008.
7. THE HOUSING WILL WITHSTAND EXPOSURE TO 260° PEAK TEMPERATURE FOR 10 SECONDS IN A REFLOW SOLDER APPLICATION.

φA 0.2
φ1.45±0.1(LOCATING PEG)

φA 0.2
φ0.95±0.1(LOCATING PEG)

SECT X-X

mat'l. code				tolerances unless otherwise specified			CUSTOMER COPY	 www.fciconnect.com
ltr	ecn no	dr	date	linear	.X ± 0.30	projection		
J	T05-0226	R C	02/04/05'		.XX ± 0.30			DDR SO-DIMM 0.6 mm PITCH 200 POS. REVERSE TYPE ASS'Y
K	DG05-0388	K W	10/13/05'	angles	0° ±2'	MM scale 2:1		
L	DG08-0333	B L	12/01/08'	dr	M.Hasegawa		4/6/04	code
				enr	M.Hasegawa	4/6/04	JP	
				chr			sheet	
				appd			1 of 4	
sheet index	revision sheet	L 1	L 2	L 3	L 4			

Tous droits strictement reserves. Reproduction ou communication a des tiers interdite sous quelque forme que ce soit sans autorisation ecrite du proprietaire. Propriete de c FCI. Droits de reproduction FCI.



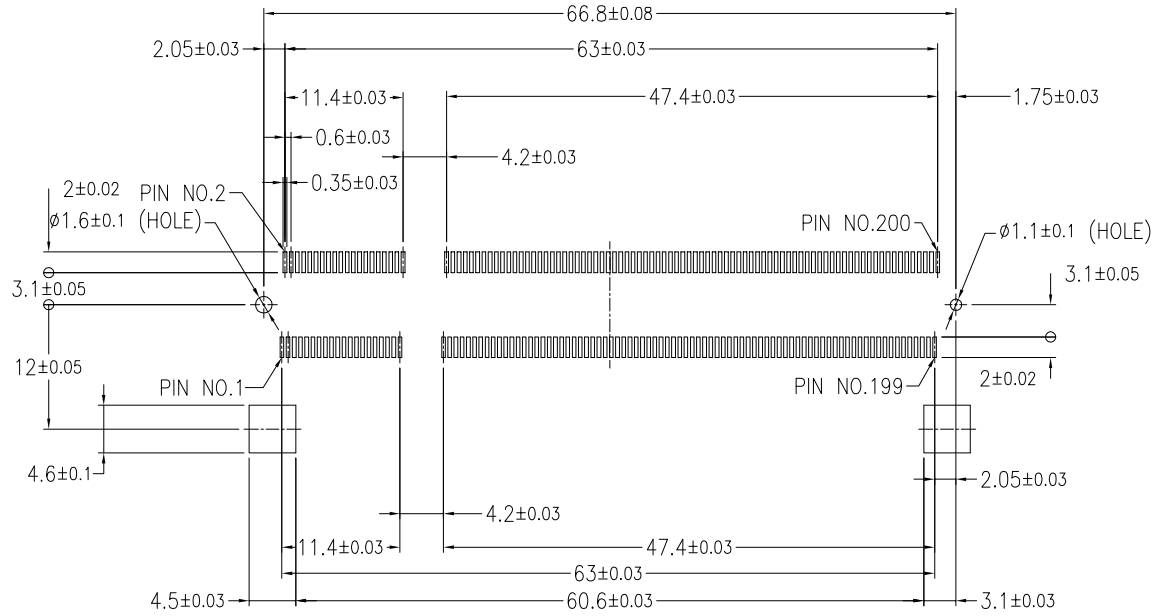
All rights strictly reserved. Reproduction or issue to third parties in any form whatever is not permitted without written authority from the proprietor. Property of FCI. Copyright FCI.

Tous droits strictement réservés. Reproduction ou communication à des tiers interdite sous quelque forme que ce soit sans autorisation écrite du propriétaire. Propriété de c FCI. Droits de reproduction FCI.



All rights strictly reserved. Reproduction or issue to third parties in any form whatever is not permitted without written authority from the proprietor. Property of FCI. Copyright FCI.

PRODUCT NO.
 59355-x52xx



RECOMMENDED MOUNTING P.C.B LAYOUT

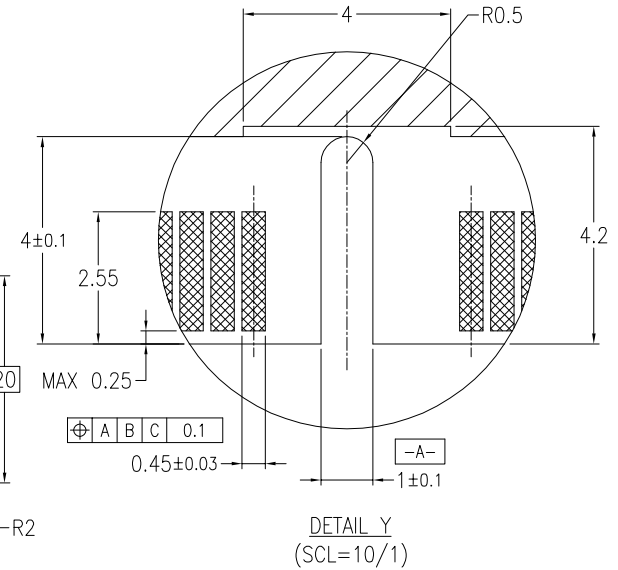
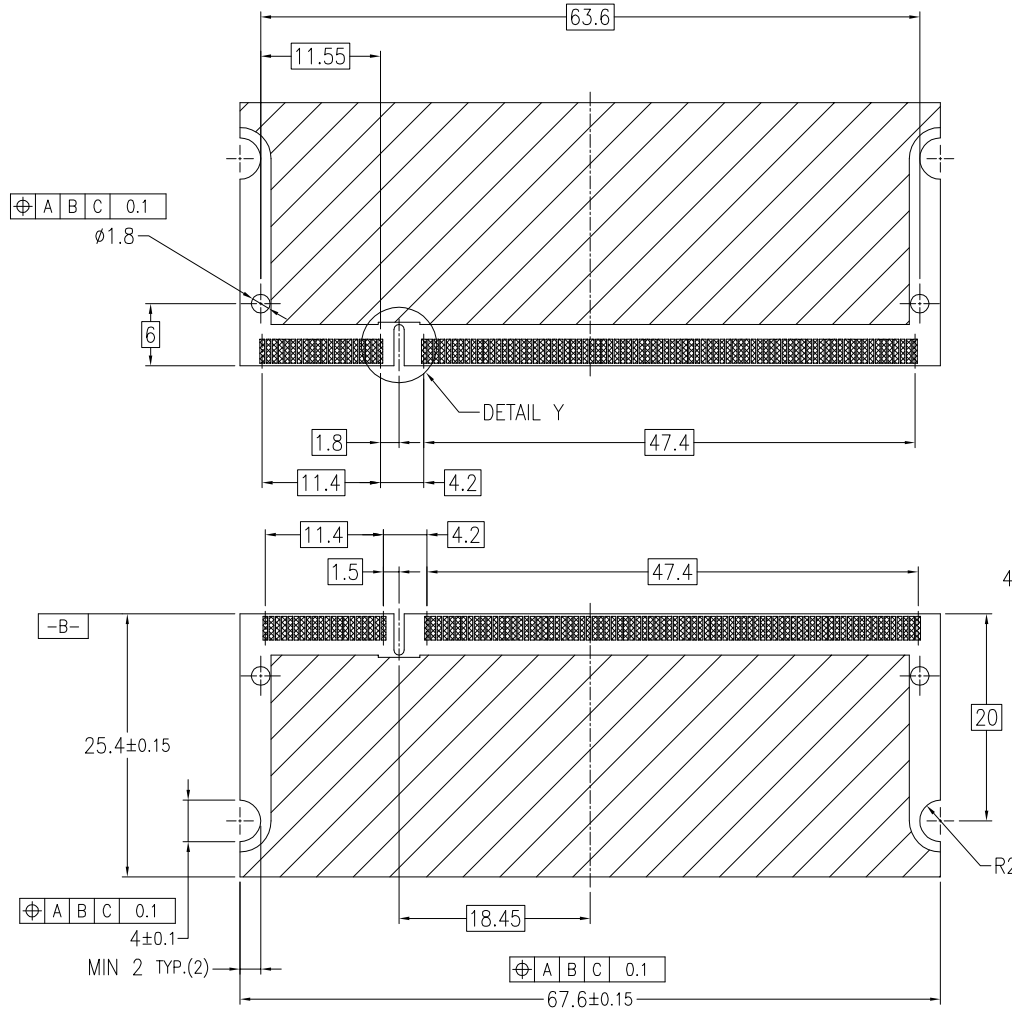
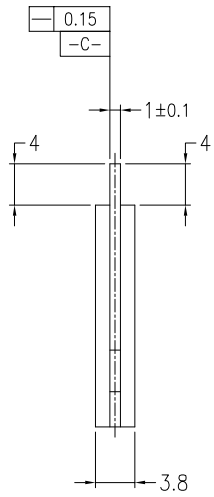
mat'l. code				tolerances unless otherwise specified			CUSTOMER COPY		 www.fciconnect.com		
ltr	ecn no	dr	date	linear	.X ± 0.30		projection	 title DDR SO-DIMM 0.6 mm PITCH 200 POS. REVERSE TYPE ASS'Y			
L					.XX ± 0.30						
				angles	0° ±2°		 MM	product family 50UF SO-DIMM size dwg no		code JP	
				dr	M.Hasegawa	4/6/04					scale 2:1
				chr	M.Hasegawa	4/6/04					
				appd							
sheet index	revision sheet										

Tous droits strictement réservés. Reproduction ou communication à des tiers interdite sous quelque forme que ce soit sans autorisation écrite du propriétaire. Propriété de c FCI. Droits de reproduction FCI.



All rights strictly reserved. Reproduction or issue to third parties in any form whatever is not permitted without written authority from the proprietor. Property of FCI. Copyright FCI.

PRODUCT NO.
59355-x52xx



RECOMMENDED MODULE P.C.B LAYOUT

mat'l. code				tolerances unless otherwise specified		CUSTOMER COPY		 www.fciconnect.com	
ltr	ecn no	dr	date	linear	.X ± 0.30		projection	title	
L					.XX ± 0.30			DDR SO-DIMM 0.6 mm PITCH 200 POS. REVERSE TYPE ASS'Y	
				angles	0° ± 2°		 MM	product family 50UF SO-DIMM	
				dr	M.Hasegawa	4/6/04		size dwg no	
				enr	M.Hasegawa	4/6/04	B 59355		
				chr			code JP		
				appd			sheet 3 of		
sheet index	revision sheet								

Tous droits strictement réservés. Reproduction ou communication à des tiers interdite sous quelque forme que ce soit sans autorisation écrite du propriétaire. Propriété de c FCI. Droits de reproduction FCI.



All rights strictly reserved. Reproduction or issue to third parties in any form whatever is not permitted without written authority from the proprietor. Property of FCI. Copyright FCI.

PRODUCT NO.	LOCATING PEG	TERMINAL CONTACT AREA FINISH	HOLD DOWN FINISH	SOLDER TAIL FINISH
59355-052FS	YES	Au FLASH	Pure Sn PLATING	Au FLASH PLATING
59355-152FS	NO			
59355-052TS	YES	Au 0.3µm MIN.		
59355-152TS	NO			
59355-052AS	YES	Au 0.76µm MIN.		
59355-152AS	NO			
59355-052FC	YES	Au FLASH	Sn-Pb PLATING	Au FLASH PLATING
59355-152FC	NO			
59355-052TC	YES	Au 0.3µm MIN.		
59355-152TC	NO			
59355-052AC	YES	Au 0.76µm MIN.		
59355-152AC	NO			
59355-252FS	YES	Au FLASH	Pure Sn PLATING	Pure Sn PLATING
59355-352FS	NO			
59355-252TS	YES	Au 0.3µm MIN.		
59355-352TS	NO			
59355-252AS	YES	Au 0.76µm MIN.		
59355-352AS	NO			
59355-252FC	YES	Au FLASH	Sn-Pb PLATING	Pure Sn PLATING
59355-352FC	NO			
59355-252TC	YES	Au 0.3µm MIN.		
59355-352TC	NO			
59355-252AC	YES	Au 0.76µm MIN.		
59355-352AC	NO			

PRODUCT NO.	LOCATING PEG	TERMINAL CONTACT AREA FINISH	HOLD DOWN FINISH	SOLDER TAIL FINISH
59355-452FS	YES	Au FLASH	Pure Sn PLATING	Sn-Pb PLATING
59355-552FS	NO			
59355-452TS	YES	Au 0.3µm MIN.		
59355-552TS	NO			
59355-452AS	YES	Au 0.76µm MIN.		
59355-552AS	NO			
59355-452FC	YES	Au FLASH	Sn-Pb PLATING	Sn-Pb PLATING
59355-552FC	NO			
59355-452TC	YES	Au 0.3µm MIN.		
59355-552TC	NO			
59355-452AC	YES	Au 0.76µm MIN.		
59355-552AC	NO			

△ B 59355 - □ □ □ □ □ LF

<PACKING METHOD>
R : TAPE REEL
DEFAULT : TRAY

<HOLD DOWN FINISH>
S : Pure Sn
B : Sn-Pb

<CONTACT AREA FINISH>
F : Au FLASH
T : Au 0.3um MIN.
A : Au 0.76um MIN.

<TOTAL HEIGHT>
52 : 5.2mm

<LOCATING PEG, SOLDER TAIL FINISH>
0 : YES, Au FLASH
1 : NO, Au FLASH
2 : YES, Pure Sn PLATING
3 : NO, Pure Sn PLATING
4 : YES, Sn-Pb PLATING
5 : NO, Sn-Pb PLATING

For Rohs OPTIONS:
TAIL PLATING CODE MUST BE 0~3.
HOLD DOWN PLATING CODE MUST BE "S".
"LF" CODE IS EXIST IN THE END.
EX: 59355-252SLF

FOR NOT Rohs COMPATIBLE:
THIS "LF" CODE IS "BLANK".
EX: 59355-452TS

mat'l. code				tolerances unless otherwise specified		CUSTOMER COPY		 www.fciconnect.com	
ltr	ecn no	dr	date	linear	.X ± 0.30	projection		title	
L					.XX ± 0.30			DDR SO-DIMM 0.6 mm PITCH 200 POS. REVERSE TYPE ASS'Y	
				angles	0° ± 2°			product family	code
				dr	M.Hasegawa	4/6/04	← MM →	50UF SO-DIMM	JP
				enr	M.Hasegawa	4/6/04		size	dwg no
				chr			scale	B	59355
				appd					
sheet index	revision sheet								