



Chipsmall Limited consists of a professional team with an average of over 10 year of expertise in the distribution of electronic components. Based in Hongkong, we have already established firm and mutual-benefit business relationships with customers from,Europe,America and south Asia,supplying obsolete and hard-to-find components to meet their specific needs.

With the principle of “Quality Parts,Customers Priority,Honest Operation,and Considerate Service”,our business mainly focus on the distribution of electronic components. Line cards we deal with include Microchip,ALPS,ROHM,Xilinx,Pulse,ON,Everlight and Freescale. Main products comprise IC,Modules,Potentiometer,IC Socket,Relay,Connector.Our parts cover such applications as commercial,industrial, and automotives areas.

We are looking forward to setting up business relationship with you and hope to provide you with the best service and solution. Let us make a better world for our industry!



Contact us

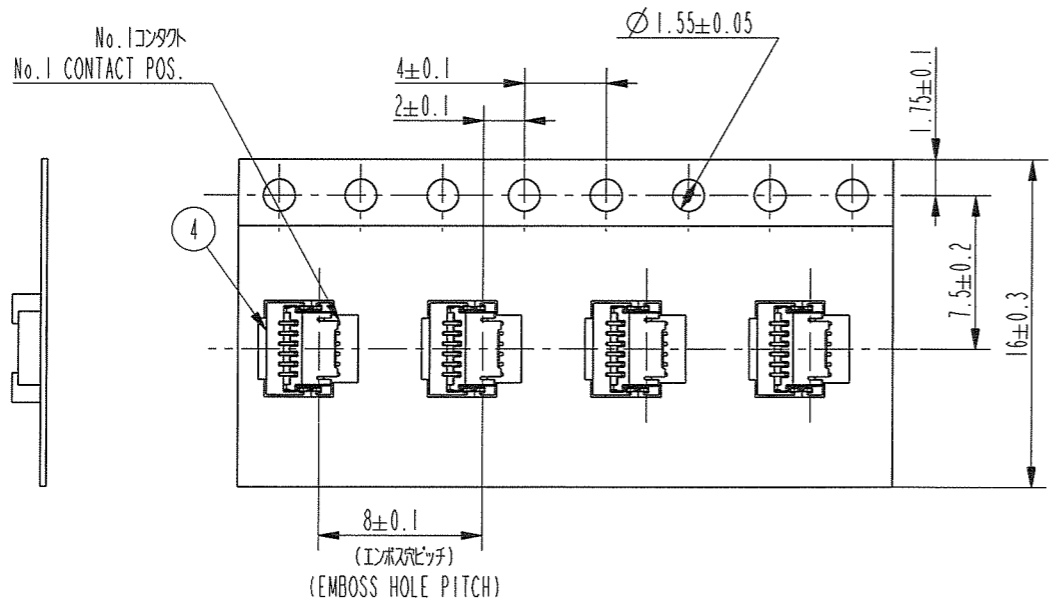
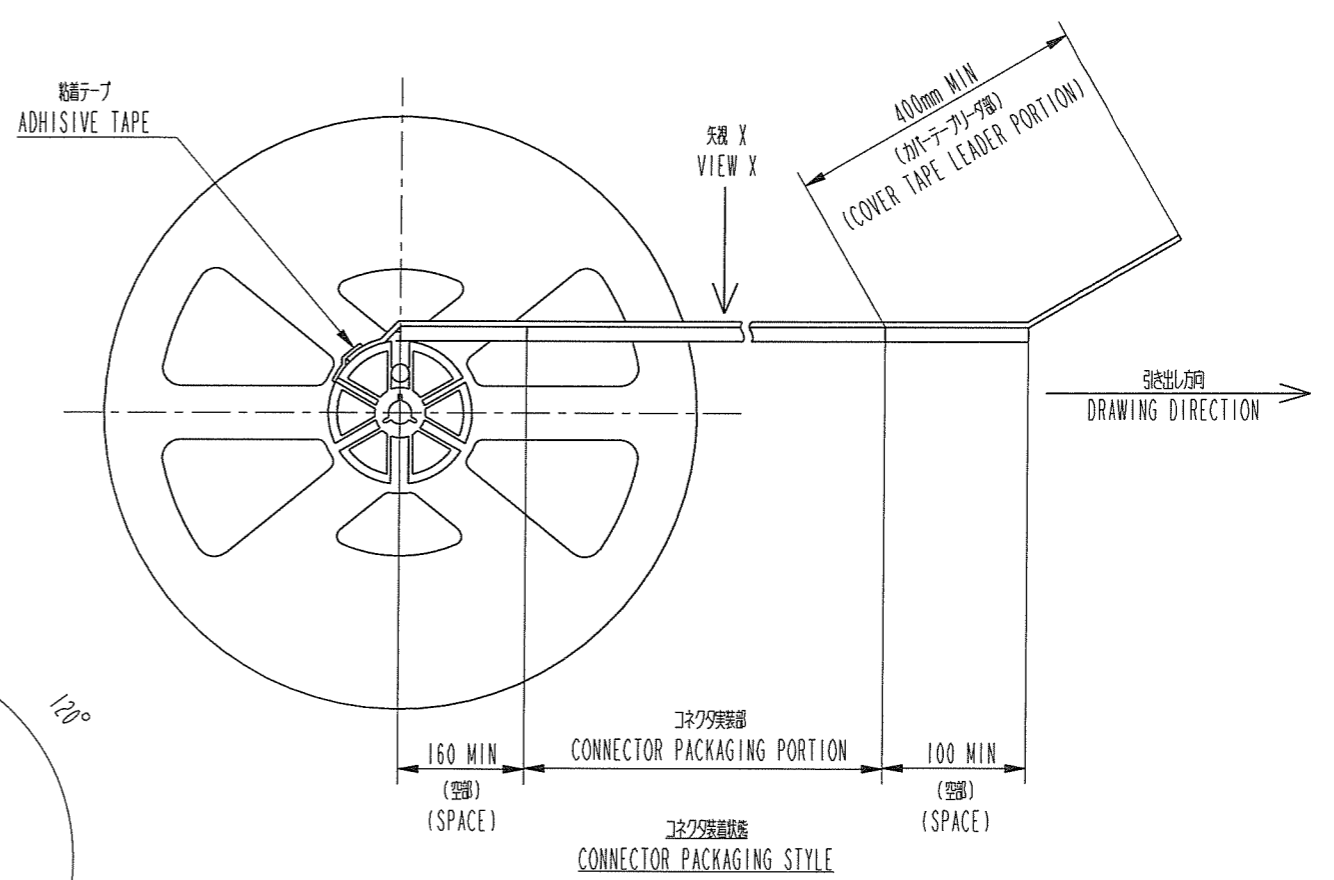
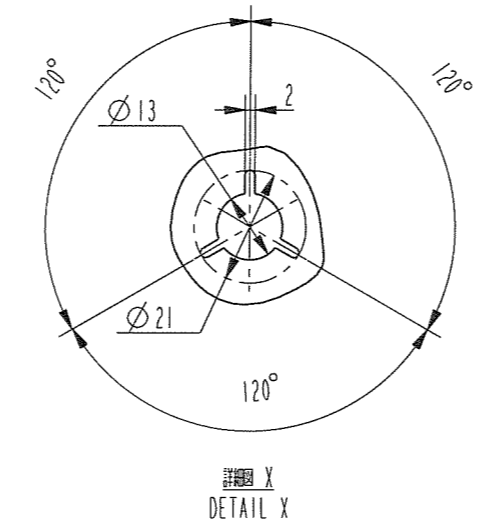
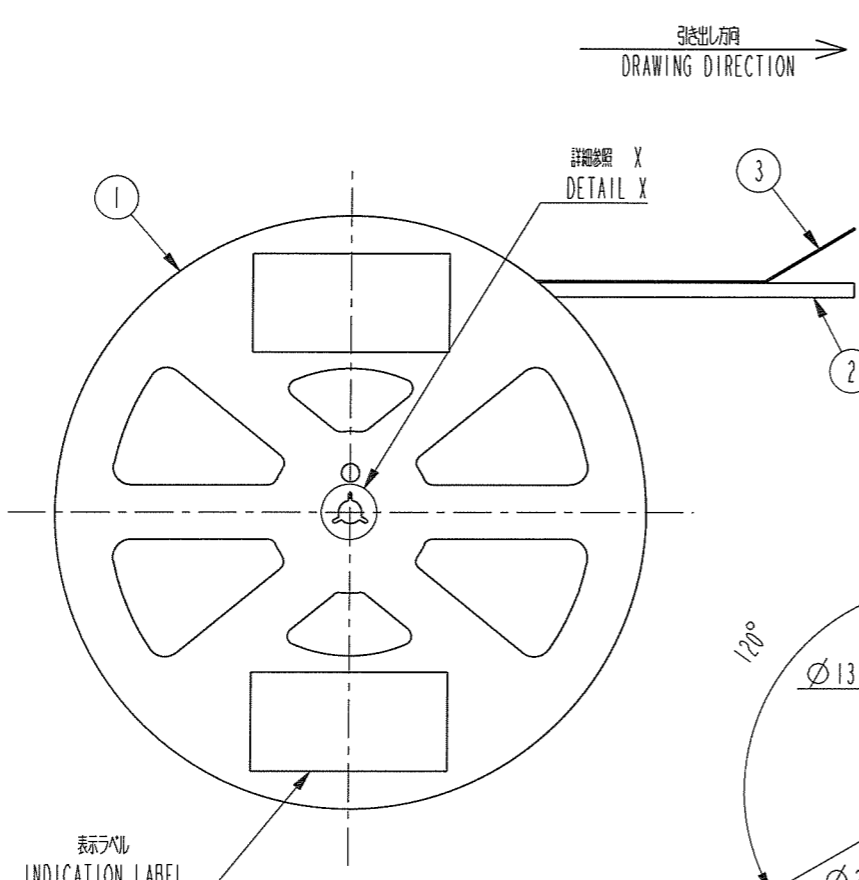
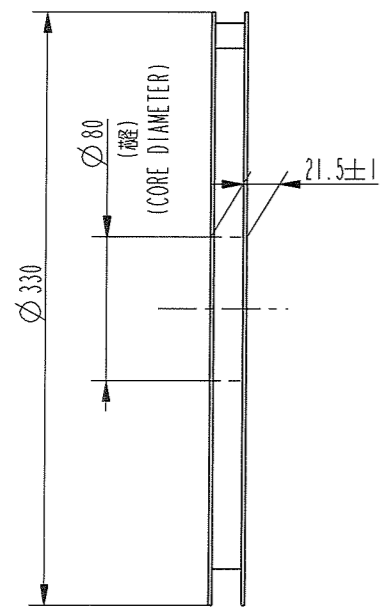
Tel: +86-755-8981 8866 Fax: +86-755-8427 6832

Email & Skype: info@chipsmall.com Web: www.chipsmall.com

Address: A1208, Overseas Decoration Building, #122 Zhenhua RD., Futian, Shenzhen, China



Product No.	No. of Contacts
59453-041110EHLF	4 Contacts
59453-051110EHLF	5 Contacts
59453-061110EHLF	6 Contacts
59453-071110EHLF	7 Contacts
59453-081110EHLF	8 Contacts
59453-091110EHLF	9 Contacts
59453-121110EHLF	12 Contacts
59453-131110EHLF	13 Contacts



部番 No.	品名 PART NAME	型番 PRODUCT No.	材質 MATERIAL	数量 Q'TY	記事 NOTE
1	リール REEL	-----	ポリスチレン POLYSTYRENE	1	色:白, 帯電防止 COLER:WHITE, ANTI STATIC
2	プラスチック(エンボス)テープ PLASTIC(EMBOSS)TAPE	-----	PP又は, PET PP or PET	1	帯電防止 ANTI STATIC
3	カバーテープ COVER TAPE	-----	ポリエステル POLYESTER	1	
4	コネクタ(単体) CONNECTOR	59453-__111CHLF	添付図面参照 SEE ATTACHED DRAWING	5,000	接点部:金めっき CONTACT AREA PLATING:GOLD ターミナル部:金めっき TERMINAL AREA PLATING:GOLD

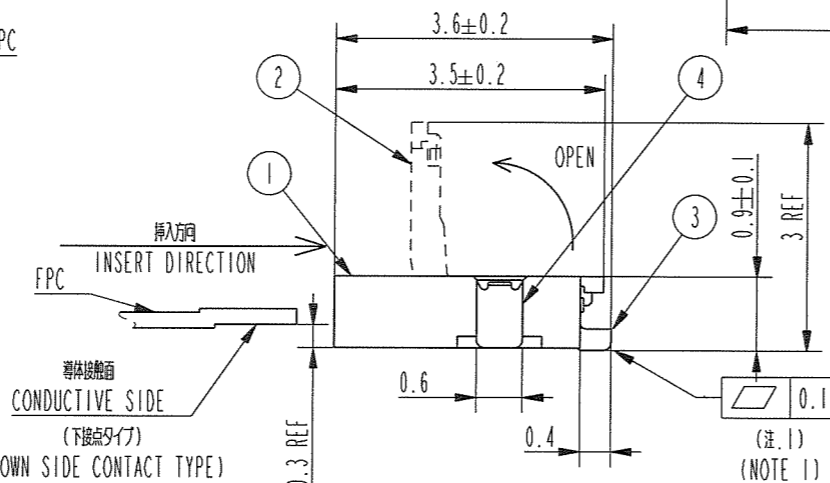
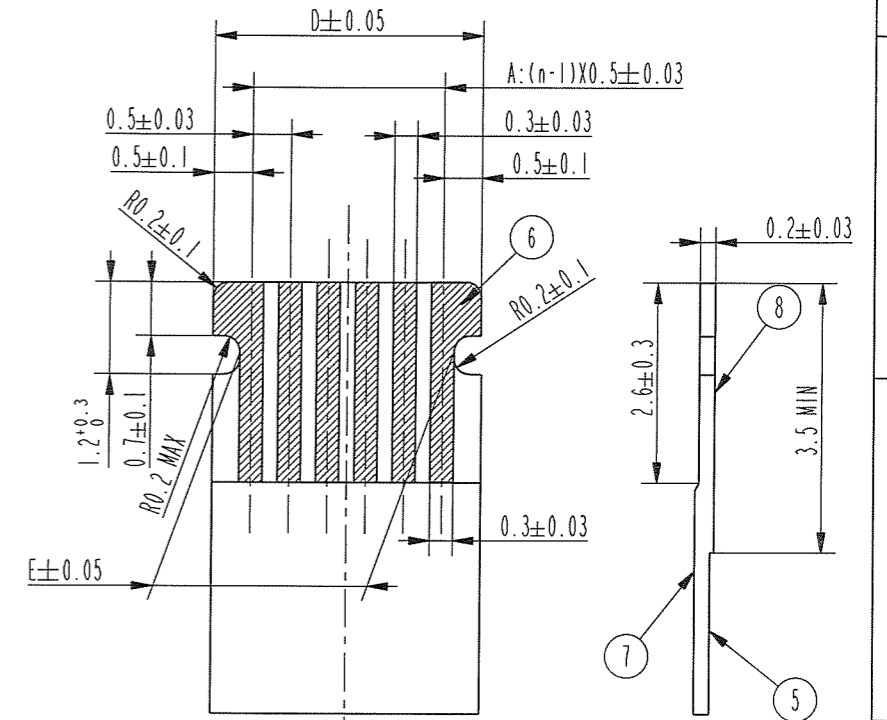
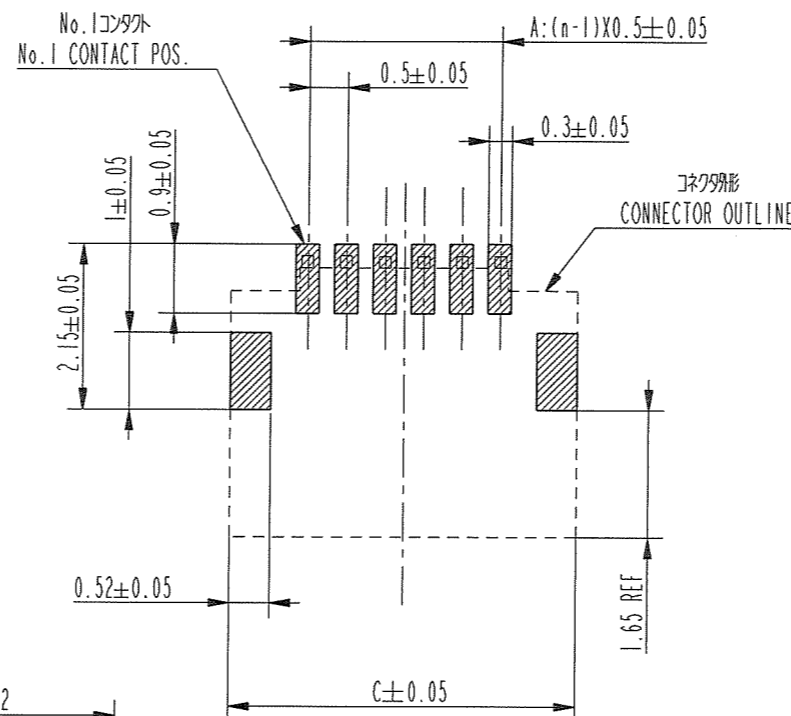
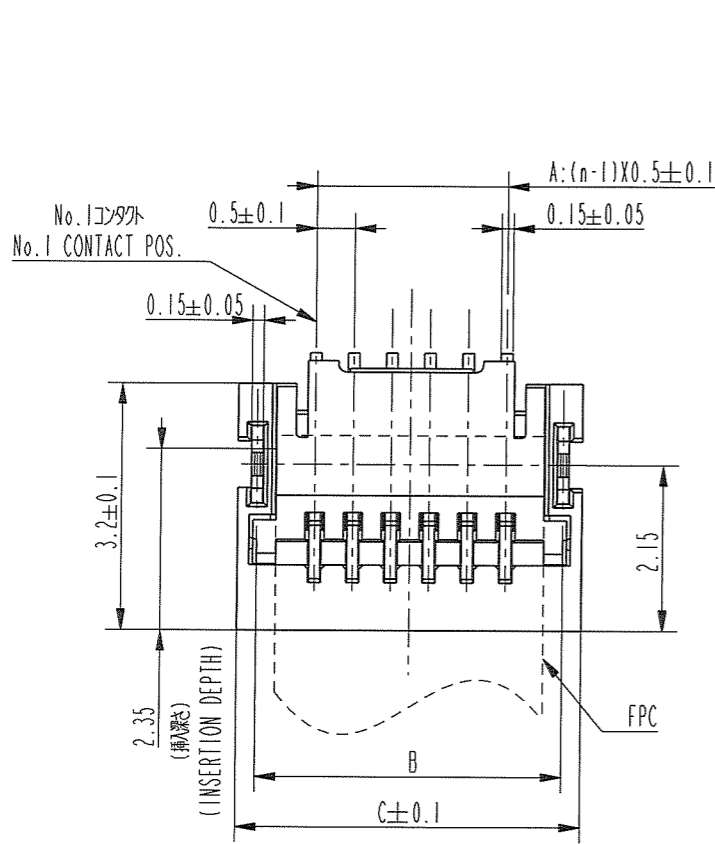
注記
 1. 本製品は、自動実装(SMT)対応、FPC用コネクタのプラスチックテープ巻品である。
 2. プラスチック(エンボス)テープ及びリールの形状寸法は、JIS C 0806(電子部品のテーピング)(表面実装部品)に準ずる。
 NOTE
 1. THIS IS PLASTIC TAPE PACKAGED CONNECTOR USED FOR FPC AND COPS WITH AUTOMATIC MOUNTING(SMT)
 2. SEE JIS C 0806 (PACKING OF ELECTRONIC COMPONENTS ON CONTINUOUS TAPES (SURFACE MOUNTING DEVICES))

Copyright FCI, FCI

www.fciconnect.com		surface <input checked="" type="checkbox"/>	tolerance std	projection	MM
		TOLERANCES UNLESS OTHERWISE SPECIFIED			
Dr	M. Higo	Jun. 22, '10	ANGULAR	size	Scale
Eng	M. Higo	Jun. 22, '10	LINEAR	$\pm 5^\circ$	N/A
Chr	H. Okano	Jun. 22, '10	$5^\circ \pm$	ECN	J10-0173
Appr	M. Higuma	Jun. 22, '10	Product family	59CF	Spec ref Released
FCI		TITLE		dwg no	Rev.
		PLASTIC TAPE PACKAGED 0.5mm PITCH FPC CONNECTOR		59453	A
		(DOWN SIDE CONTACT TYPE)			
		catalog no	See table	CUSTOMER	sheet 1 of 2

推奨基板パターン図
RECOMMENDED PCB LAYOUT

推奨FPC寸法
RECOMMENDED FPC



CONNECTOR PARTS LIST

部品番号 No.	部品名 PART NAME	材料 MATERIAL	数量 Q'TY	記号 NOTE
1	ハウジング HOUSING	ガラス繊維入り熱可塑性樹脂 UL94V-0 GLASS FILLED THERMOPLASTIC RESIN	1	色:黒 ハロゲンフリー COLOR:BLACK, HALOGEN FREE
2	アクチュエータ ACTUATOR	ガラス繊維入り熱可塑性樹脂 UL94V-0 GLASS FILLED THERMOPLASTIC RESIN	1	色:黒 ハロゲンフリー COLOR:BLACK, HALOGEN FREE
3	コンタクト CONTACT	銅合金 COPPER ALLOY	n	接点部:金めっき CONTACT AREA PLATING:GOLD 端子部:金めっき TERMINAL AREA PLATING:GOLD 下地ニッケルめっき UNDER Ni PLATING
4	固定金具 FIXING TAB	黄銅 BRASS	2	めっき:鍍めっき(鉛フリー) PLATING:TIN(LEAD FREE)

注記 / NOTE
1. コンタクト、固定金具の平直度は0.08以内
1. COPLANARITY FOR CONTACT TERMINAL AND FIXING TAB MUST BE WITHIN 0.08mm.
2. 本製品は、GS-22-008に記載されたヨーロッパ指令と他国の規格に適合しています。
2. THIS PRODUCT MEETS EUROPEAN UNION DIRECTIVES AND OTHER COUNTRY REGULATIONS AS DESCRIBED IN GS-22-008.

PRODUCT No. AND DIMENSIONS

PRODUCT No. (Not emboss packaging)	DIMENSIONS				
	A	B	C	D	E
59453-04111CHLF(4 CONTACTS)	1.5	3.0	3.5	2.5	1.8
59453-05111CHLF(5 CONTACTS)	2.0	3.5	4.0	3.0	2.3
59453-06111CHLF(6 CONTACTS)	2.5	4.0	4.5	3.5	2.8
59453-07111CHLF(7 CONTACTS)	3.0	4.5	5.0	4.0	3.3
59453-08111CHLF(8 CONTACTS)	3.5	5.0	5.5	4.5	3.8
59453-09111CHLF(9 CONTACTS)	4.0	5.5	6.0	5.0	4.3
59453-12111CHLF(12 CONTACTS)	5.5	7.0	7.5	6.5	5.8
59453-13111CHLF(13 CONTACTS)	6.0	7.5	8.0	7.0	6.3

FPC PARTS LIST

部品番号 No.	品名 PART NAME	材質 MATERIAL	記号 NOTE
5	ベースフィルム BASE FILM	ポリイミド POLYIMIDE	
6	導体 CONDUCTOR	銅箔、金めっき、0.1μm以上 COPPER FOIL (PLATING:GOLD 0.1μm)	
7	オーバーレイ OVER LAY	ポリイミド POLYIMIDE	
8	補強板 SUPPORTING TAPE	ポリイミド POLYIMIDE	

注記
熱硬化接着剤を使用し、接合方式は熱圧着とする。
NOTE
ADHESIVE METHOD OF SUPPORTING TAPE SHALL BE HEAT CRIMPING METHOD AND THERMOSETTING ADHESIVE SHALL BE USED

www.fciconnect.com		surface	tolerance std	projection	MM
		ANGULAR	LINER	size	Scale
		3° ±	±0.3	A2	N/A
		Product family	59CF	ECN	J10-0173
		Spec ref	Released		
FCJ		PLASTIC TAPE PACKAGED 0.5mm PITCH FPC CONNECTOR (DOWN SIDE CONTACT TYPE)		dwg no	59453
catalog no		CUSTOMER		Rev.	A
		sheet 2 of 2			