



Chipsmall Limited consists of a professional team with an average of over 10 year of expertise in the distribution of electronic components. Based in Hongkong, we have already established firm and mutual-benefit business relationships with customers from,Europe,America and south Asia,supplying obsolete and hard-to-find components to meet their specific needs.

With the principle of “Quality Parts,Customers Priority,Honest Operation,and Considerate Service”,our business mainly focus on the distribution of electronic components. Line cards we deal with include Microchip,ALPS,ROHM,Xilinx,Pulse,ON,Everlight and Freescale. Main products comprise IC,Modules,Potentiometer,IC Socket,Relay,Connector.Our parts cover such applications as commercial,industrial, and automotives areas.

We are looking forward to setting up business relationship with you and hope to provide you with the best service and solution. Let us make a better world for our industry!



Contact us

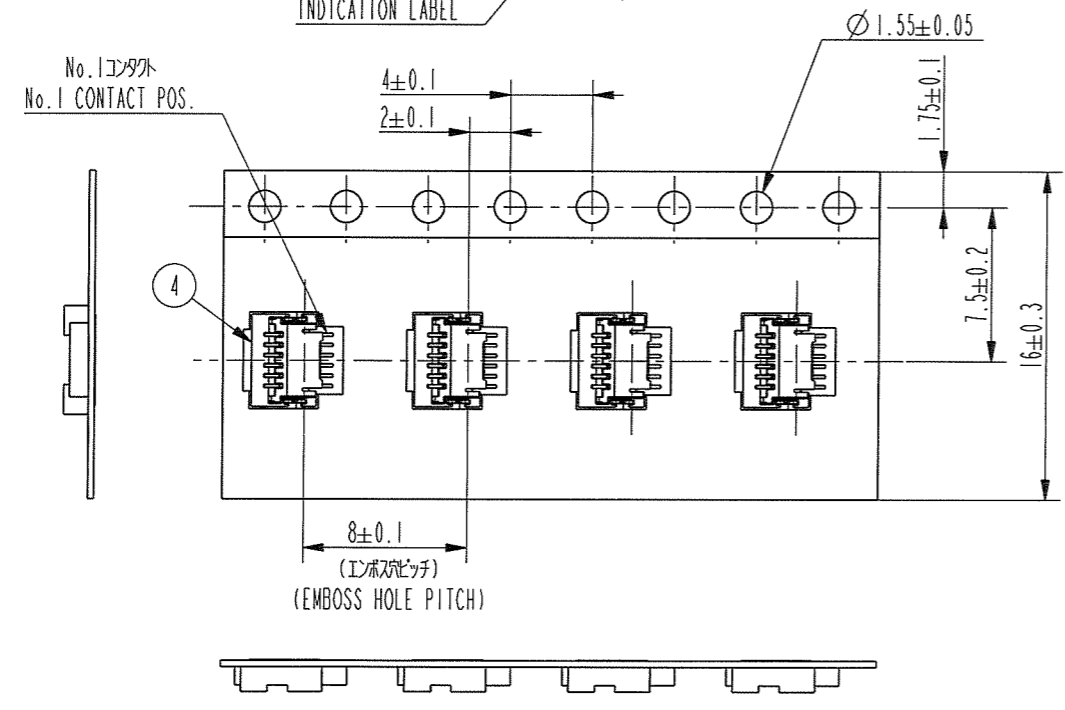
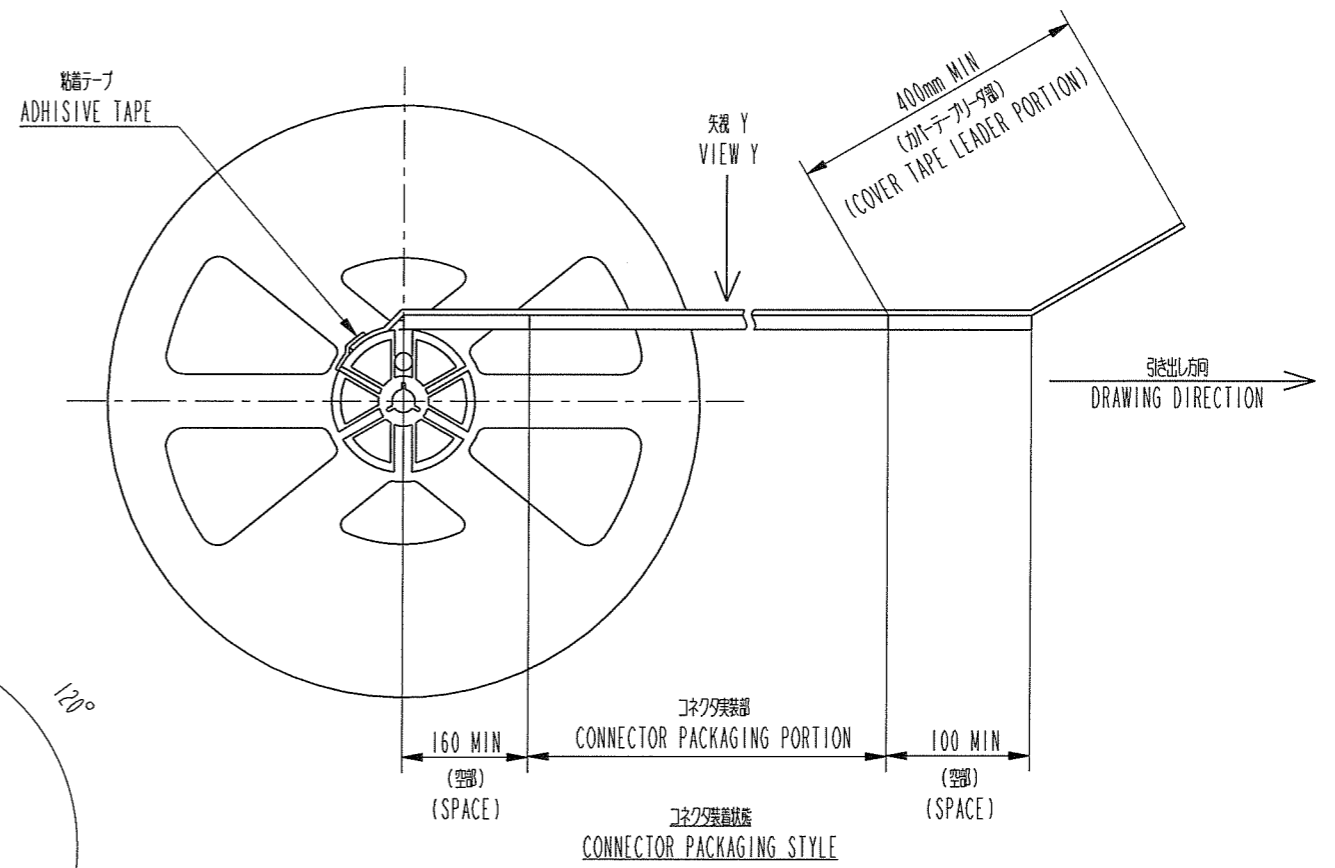
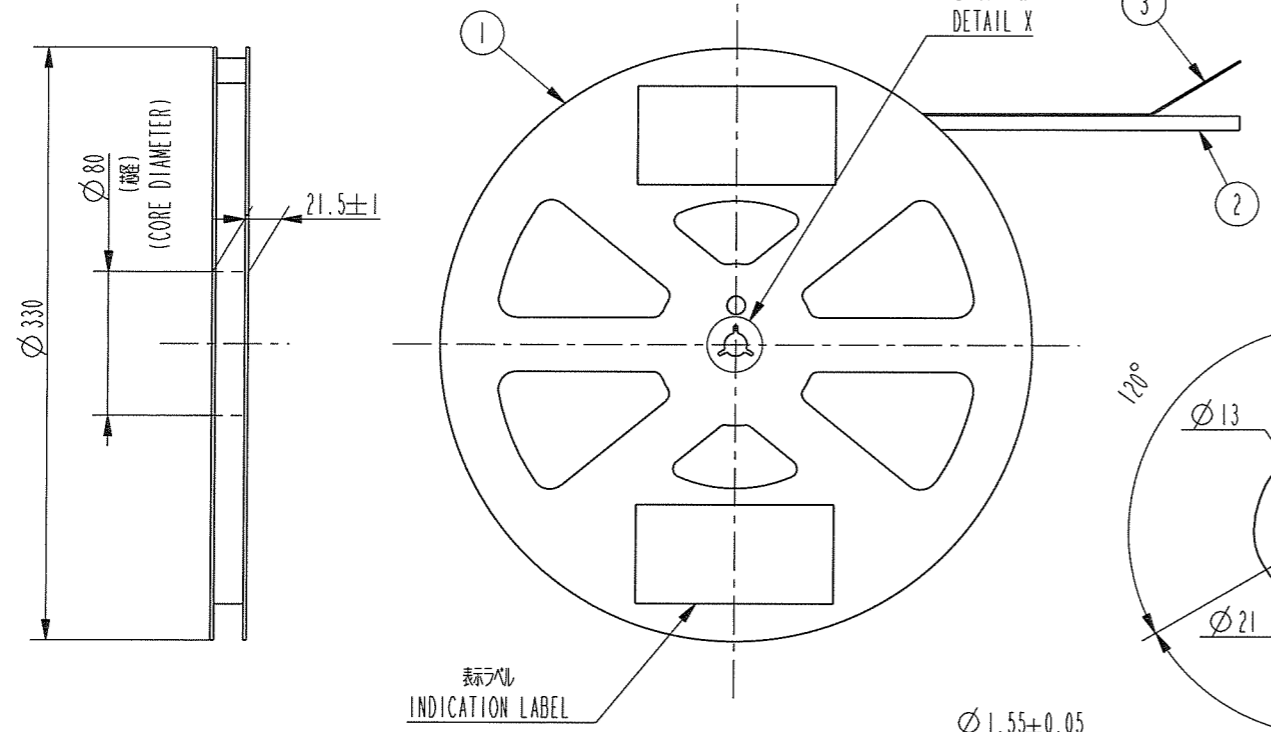
Tel: +86-755-8981 8866 Fax: +86-755-8427 6832

Email & Skype: info@chipsmall.com Web: www.chipsmall.com

Address: A1208, Overseas Decoration Building, #122 Zhenhua RD., Futian, Shenzhen, China



| PRODUCT No. | No. OF CONTACTS |
|-------------------|-----------------|
| 59453-041110EDHLF | 4 CONTACTS |
| 59453-051110EDHLF | 5 CONTACTS |
| 59453-061110EDHLF | 6 CONTACTS |
| 59453-071110EDHLF | 7 CONTACTS |
| 59453-081110EDHLF | 8 CONTACTS |
| 59453-091110EDHLF | 9 CONTACTS |
| 59453-121110EDHLF | 12 CONTACTS |
| 59453-131110EDHLF | 13 CONTACTS |



| 部番 No. | 品名 PART NAME | 型番 PRODUCT No. | 材質 MATERIAL | 数量 Q'TY | 記号 NOTE |
|--------|-------------------------------------|------------------|-----------------------------|---------|--|
| 1 | リール REEL | ----- | ポリスチレン POLYSTYRENE | 1 | 色:白,帯電防止 COLER:WHITE,ANTI STATIC |
| 2 | プラスチック(エンボス)テープ PLASTIC(EMBOSS)TAPE | ----- | PP又は, PET PP or PET | 1 | 帯電防止 ANTI STATIC |
| 3 | カバーテープ COVER TAPE | ----- | ポリエステル POLYESTER | 1 | |
| 4 | コネクタ(単体) CONNECTOR | 59453-...111DHLF | 添付図面参照 SEE ATTACHED DRAWING | 5,000 | 接点部:金めっき CONTACT AREA PLATING:GOLD ターミナル部:金めっき TERMINAL AREA PLATING:GOLD |

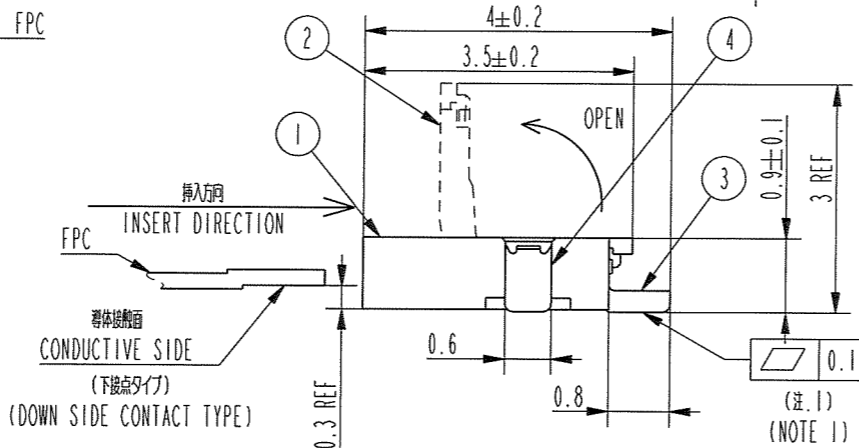
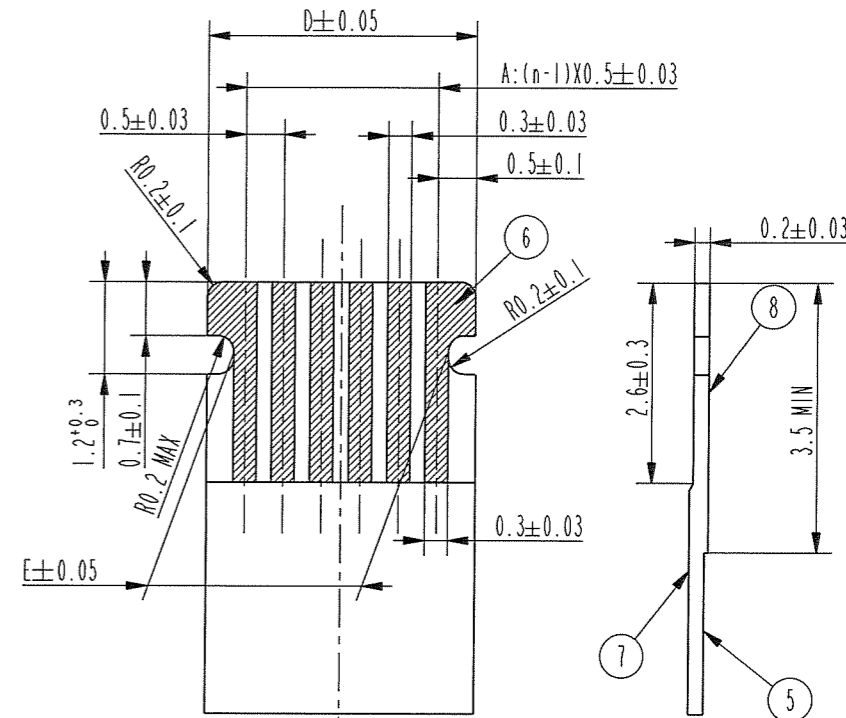
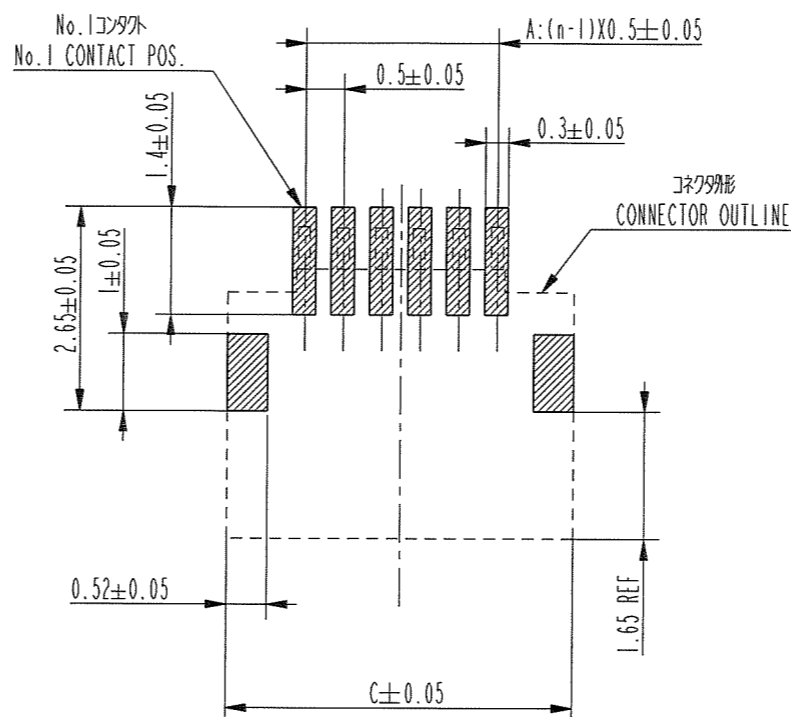
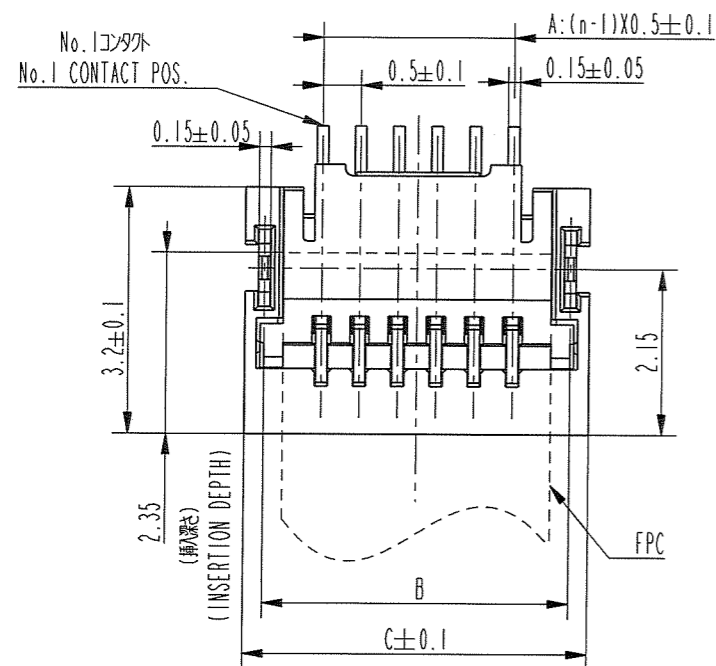
法記
 1. 本製品は, 自動実装(SMT)対応, FPC用コネクタのプラスチックテープ巻品である。
 2. プラスチック(エンボス)テープ及びリールの形状寸法は, JIS C 0806(電子部品のテーピング)(表面実装部品)に準ずる。
 NOTE
 1. THIS IS PLASTIC TAPE PACKAGED CONNECTOR USED FOR FPC AND COPES WITH AUTOMATIC MOUNTING(SMT)
 2. SEE JIS C 0806 (PACKING OF ELECTRONIC COMPONENTS ON CONTINUOUS TAPES (SURFACE MOUNTING DEVICES))

| | | | | | |
|--------------------|-----------|---------------------------------------|---------------|---|--------------|
| www.fciconnect.com | | surface | tolerance std | projection | MM |
| | | TOLERANCES UNLESS OTHERWISE SPECIFIED | | ← ⊕ → | |
| Dr | T. Sakuma | Flg | 1, '10 | size | A2 |
| Eng | M. Higo | Flg | 1, '10 | Scale | N/A |
| Chr | M. Higo | Flg | 1, '10 | ECN | J10-0179 |
| Appr | M. Higo | Flg | 1, '10 | Product family | 59CF |
| | | Product family | | 59CF | Spec ref |
| rev | ecn no | dr | date | Title | |
| A | J08-0218 | M.K | May.21 '08 | PLASTIC TAPE PACKAGED 0.5mm PITCH FPC CONNECTOR | |
| B | J08-0406 | M.K | Oct.15 '08 | (下接点タイプ/DOWN SIDE CONTACT TYPE) | |
| C | J09-0292 | M.K | Aug.06 '09 | catalog no | |
| D | J10-0179 | M.K | July 1, '10 | 59453 | |
| | | | | customer | sheet 1 of 2 |

Copyright FCI, FCI

推奨基板パターン図
RECOMMENDED PCB LAYOUT

推奨FPC寸法
RECOMMENDED FPC



CONNECTOR PARTS LIST

| 部品番号 No. | 部品名 PART NAME | 材料 MATERIAL | 数量 Q'TY | 記事 NOTE |
|-------------|---------------------|--------------------------|------------|---|
| 1 | ハウジング HOUSING | ガラス繊維入り熱可塑性樹脂 UL94V-0 | 1 | 色:黒 ハロゲンフリー COLOR:BLACK Halogen Free |
| 2 | アクチュエータ ACTUATOR | ガラス繊維入り熱可塑性樹脂 UL94V-0 | 1 | 色:黒 ハロゲンフリー COLOR:BRACK Halogen Free |
| 3 | コンタクト CONTACT | 銅合金 COPPER ALLOY | n | 接点部:金めっき CONTACT AREA PLATING:GOLD 端子部:金めっき TERMINAL AREA PLATING:GOLD |
| 4 | 補強金具 FIXING TAB | 黄銅 BRASS | 2 | めっき:錫めっき(鉛フリー) PLATING:TIN(LEAD FREE) |

注記
1. コンタクト、補強金具の平均厚は0.1以内
NOTE
1. COPLANARITY FOR CONTACT TERMINAL AND FIXING TAB MUST BE WITHIN 0.1mm.
2. 本製品は、GS-22-008に記載されたヨーロッパ指令と他国の規格に適合しています。
2. THIS PRODUCT MEETS EUROPEAN UNION DIRECTIVES AND OTHER COUNTRY REGULATIONS AS DESCRIBED IN GS-22-008.

PRODUCT No. AND DIMENSIONS

| PRODUCT No. (Not emboss packaging) | DIMENSIONS | | | | |
|---------------------------------------|------------|-----|-----|-----|-----|
| | A | B | C | D | E |
| 59453-04111DHLF(4 CONTACTS) | 1.5 | 3.0 | 3.5 | 2.5 | 1.8 |
| 59453-05111DHLF(5 CONTACTS) | 2.0 | 3.5 | 4.0 | 3.0 | 2.3 |
| 59453-06111DHLF(6 CONTACTS) | 2.5 | 4.0 | 4.5 | 3.5 | 2.8 |
| 59453-07111DHLF(7 CONTACTS) | 3.0 | 4.5 | 5.0 | 4.0 | 3.3 |
| 59453-08111DHLF(8 CONTACTS) | 3.5 | 5.0 | 5.5 | 4.5 | 3.8 |
| 59453-09111DHLF(9 CONTACTS) | 4.0 | 5.5 | 6.0 | 5.0 | 4.3 |
| 59453-12111DHLF(12 CONTACTS) | 5.5 | 7.0 | 7.5 | 6.5 | 5.8 |
| 59453-13111DHLF(13 CONTACTS) | 6.0 | 7.5 | 8.0 | 7.0 | 6.3 |

FPC PARTS LIST

| 部品番号 No. | 品名 PART NAME | 材質 MATERIAL | 記事 NOTE |
|-------------|------------------------|---|------------|
| 5 | ベースフィルム BASE FILM | ポリイミド POLYIMIDE | |
| 6 | 導体 CONDUCTOR | 銅箔 金めっき 0.1µm以上 COPPER FOIL (PLATING:GOLD 0.1µm) | |
| 7 | オーバーレイ OVER LAY | ポリイミド POLYIMIDE | |
| 8 | 補強版 SUPPORTING TAPE | ポリイミド POLYIMIDE | |

注記
熱硬化接着剤を使用し、接着方式は熱圧着とする。
NOTE
ADHISIVE METHOD OF SUPPORTING TAPE SHALL BE HEAT CRIMPING METHOD AND THERMOSETTING ADHISIVE SHALL BE USED

| | | | | | |
|--------------------|-------------|---------------------------------------|---------------|--|--------------|
| www.fciconnect.com | | surface | tolerance std | projection | MM |
| | | ANGULAR | LINER | size | Scale |
| | | TOLERANCES UNLESS OTHERWISE SPECIFIED | | A2 | N/A |
| Dr | B. Fujimura | Flg 1, '10 | | ECN | J10-0179 |
| Eng | M. Higo | Flg 1, '10 | | Spec ref | |
| Chr | M. Higo | Flg 1, '10 | 3° ± | | |
| Appr | M. Higo | Flg 1, '10 | | | |
| rev | ecn no | dr | date | Product family | 59CF |
| A | J08-0218 | M.K | May.21 '08 | | |
| B | J08-0406 | M.K | Oct.15 '08 | | |
| C | J09-0292 | M.K | Aug.06 '09 | | |
| D | J10-0179 | M.K | July 1, '10 | | |
| FCJ | | | | 0.5mm PITCH FPC CONNECTOR (下接点タイプ/DOWN SIDE CONTACT TYPE) | 59453 |
| catalog no | | | | CUSTOMER | sheet 2 of 2 |