



Chipsmall Limited consists of a professional team with an average of over 10 year of expertise in the distribution of electronic components. Based in Hongkong, we have already established firm and mutual-benefit business relationships with customers from,Europe,America and south Asia,supplying obsolete and hard-to-find components to meet their specific needs.

With the principle of “Quality Parts,Customers Priority,Honest Operation,and Considerate Service”,our business mainly focus on the distribution of electronic components. Line cards we deal with include Microchip,ALPS,ROHM,Xilinx,Pulse,ON,Everlight and Freescale. Main products comprise IC,Modules,Potentiometer,IC Socket,Relay,Connector.Our parts cover such applications as commercial,industrial, and automotives areas.

We are looking forward to setting up business relationship with you and hope to provide you with the best service and solution. Let us make a better world for our industry!



Contact us

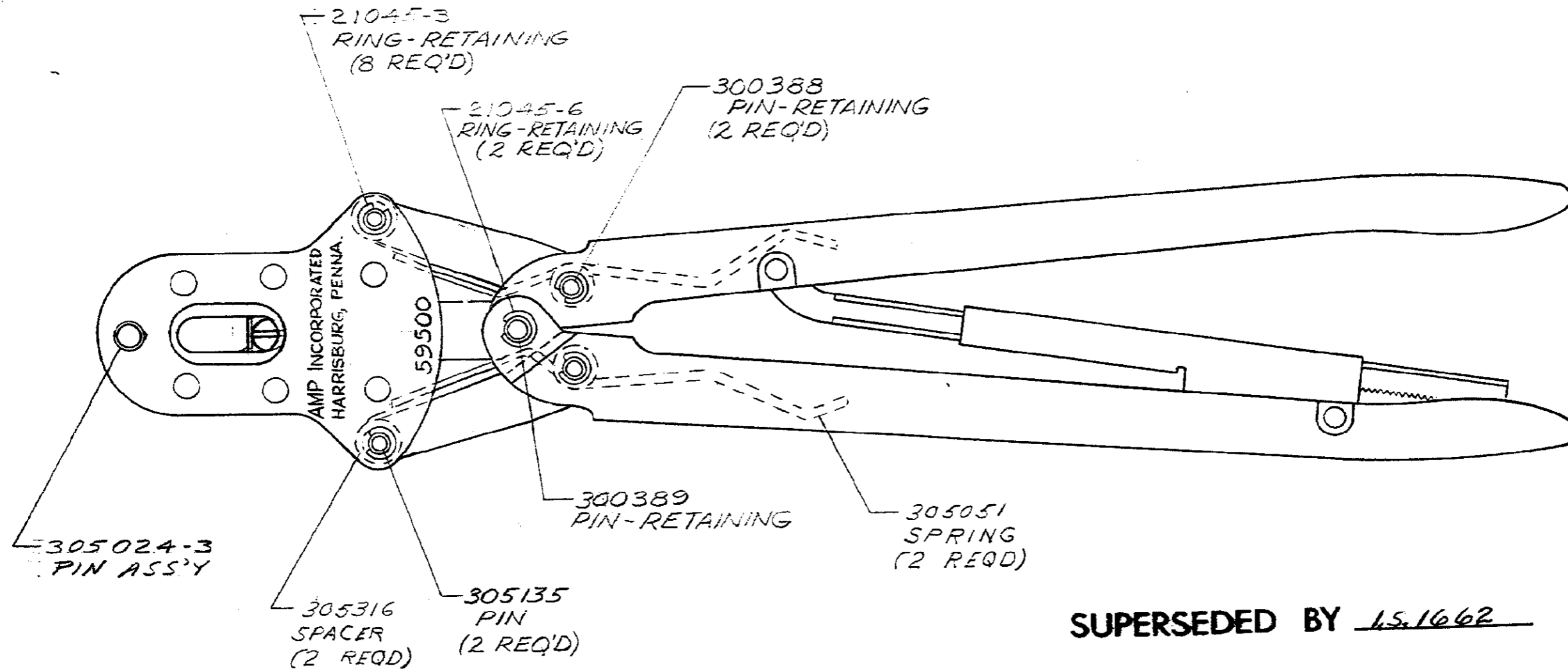
Tel: +86-755-8981 8866 Fax: +86-755-8427 6832

Email & Skype: info@chipsmall.com Web: www.chipsmall.com

Address: A1208, Overseas Decoration Building, #122 Zhenhua RD., Futian, Shenzhen, China



CATALOG NUMBER 59500



SUPERSEDED BY 15.1662

For replacement of parts other than Snap Rings or Pins, Tool should be returned to our Factory to insure proper Certi-Crimp Adjustment.

ST.	NO.	ALT.
1		
2		
3	X	G
4		
5		
6		
7		
8		
9		
10		
11		
12		
13		
14		
15		
16		
17		
18		
19		
20		
21		

CUSTOMER COPY REFERENCE ONLY				AMP INCORPORATED HARRISBURG, PENNA.	
© 1953 BY AMP INCORPORATED ALL RIGHTS RESERVED - AMP PRODUCTS COVERED BY PATENTS AND/OR PATENTS PENDING.				TERMASHIELD CRIMPING TOOL ASSEMBLY	
CLASS		SCALE		CATALOG NUMBER	
TYPE		1-1		59500	
SIZE		RE.		G.	
LOC.	SIZE	DR.	DATE	APP'VD	DATE
M	B	DR. L. OSMAN	11/19/59	E. J. F. [Signature]	11/19/59
		CKD. J. B. Foster	10/20/59		