



Chipsmall Limited consists of a professional team with an average of over 10 year of expertise in the distribution of electronic components. Based in Hongkong, we have already established firm and mutual-benefit business relationships with customers from,Europe,America and south Asia,supplying obsolete and hard-to-find components to meet their specific needs.

With the principle of “Quality Parts,Customers Priority,Honest Operation,and Considerate Service”,our business mainly focus on the distribution of electronic components. Line cards we deal with include Microchip,ALPS,ROHM,Xilinx,Pulse,ON,Everlight and Freescale. Main products comprise IC,Modules,Potentiometer,IC Socket,Relay,Connector.Our parts cover such applications as commercial,industrial, and automotives areas.

We are looking forward to setting up business relationship with you and hope to provide you with the best service and solution. Let us make a better world for our industry!



## Contact us

Tel: +86-755-8981 8866 Fax: +86-755-8427 6832

Email & Skype: info@chipsmall.com Web: www.chipsmall.com

Address: A1208, Overseas Decoration Building, #122 Zhenhua RD., Futian, Shenzhen, China

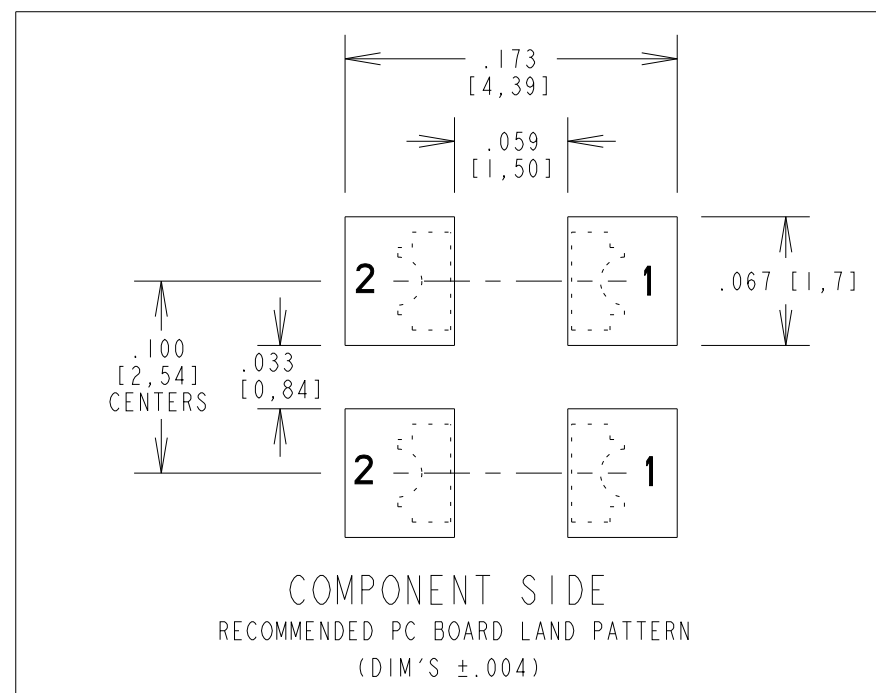
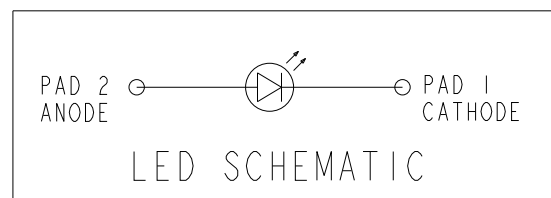
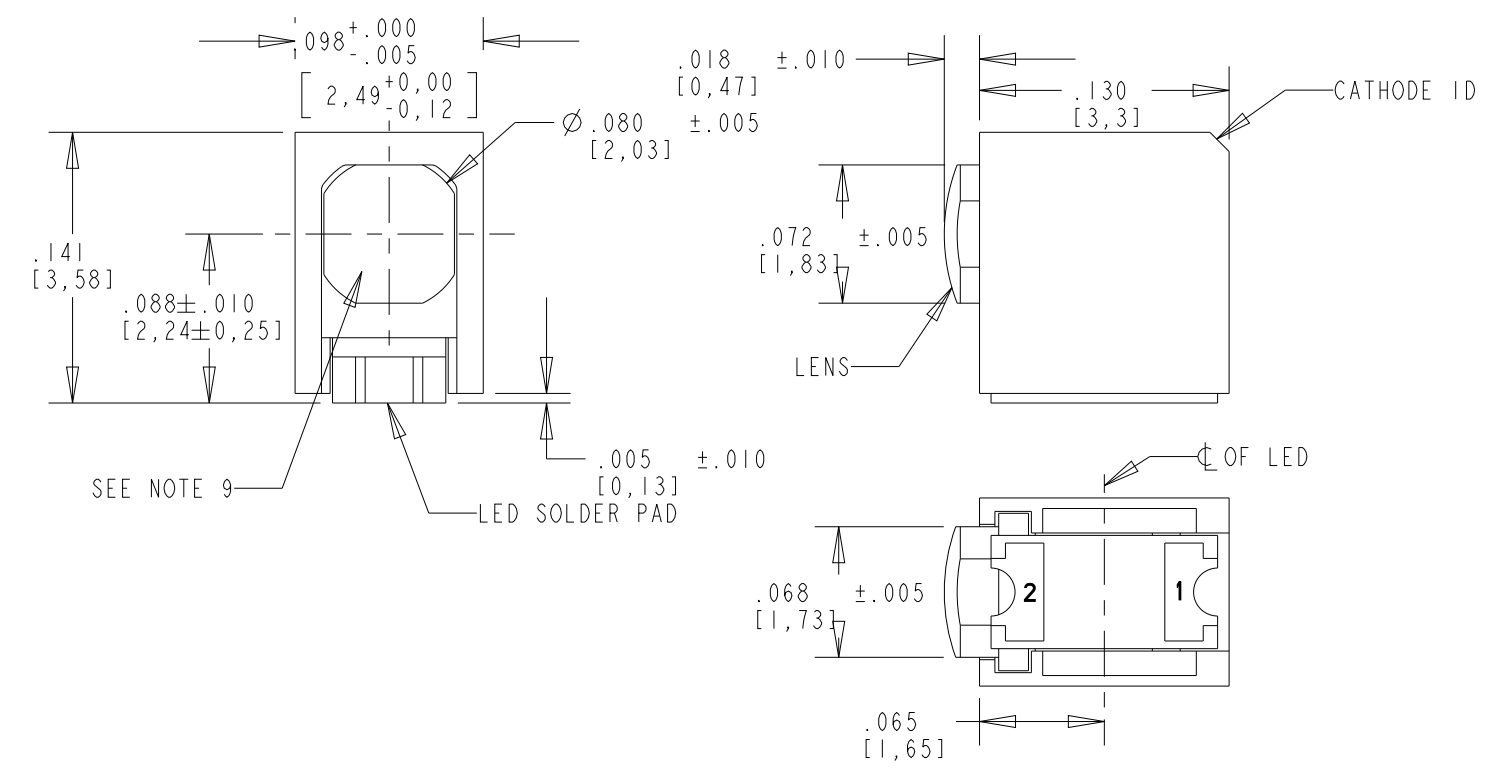


PART NUMBER	LED COLOR
595-2301-002NF	GREEN
595-2301-007NF	
595-2301-013NF	
595-2401-002NF	YELLOW
595-2401-007NF	
595-2401-013NF	

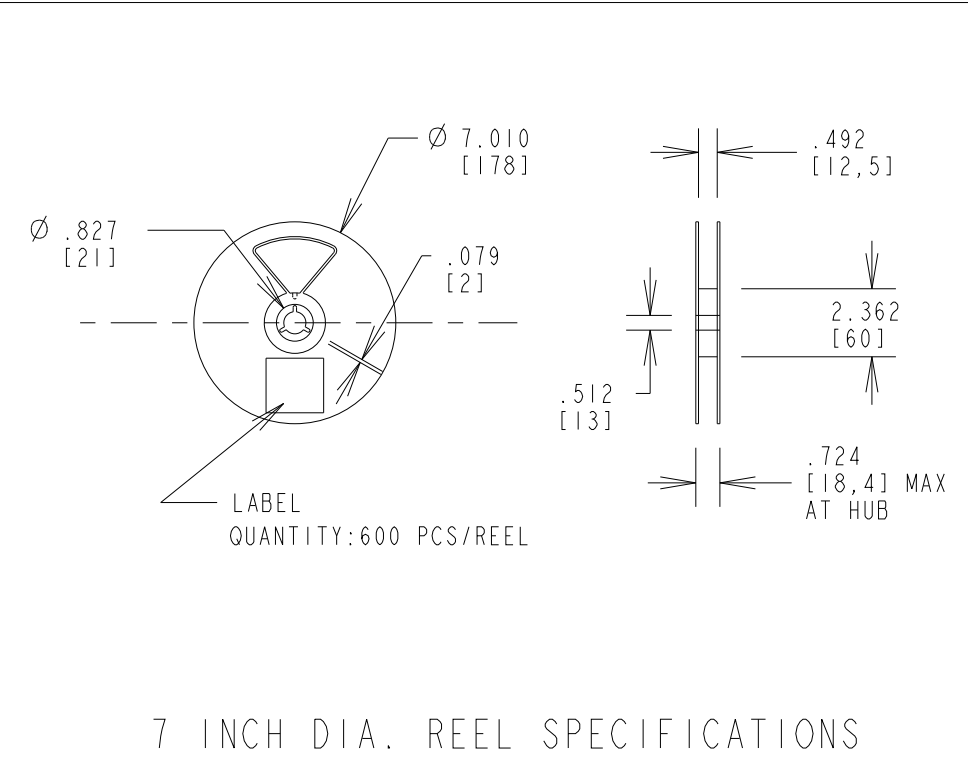
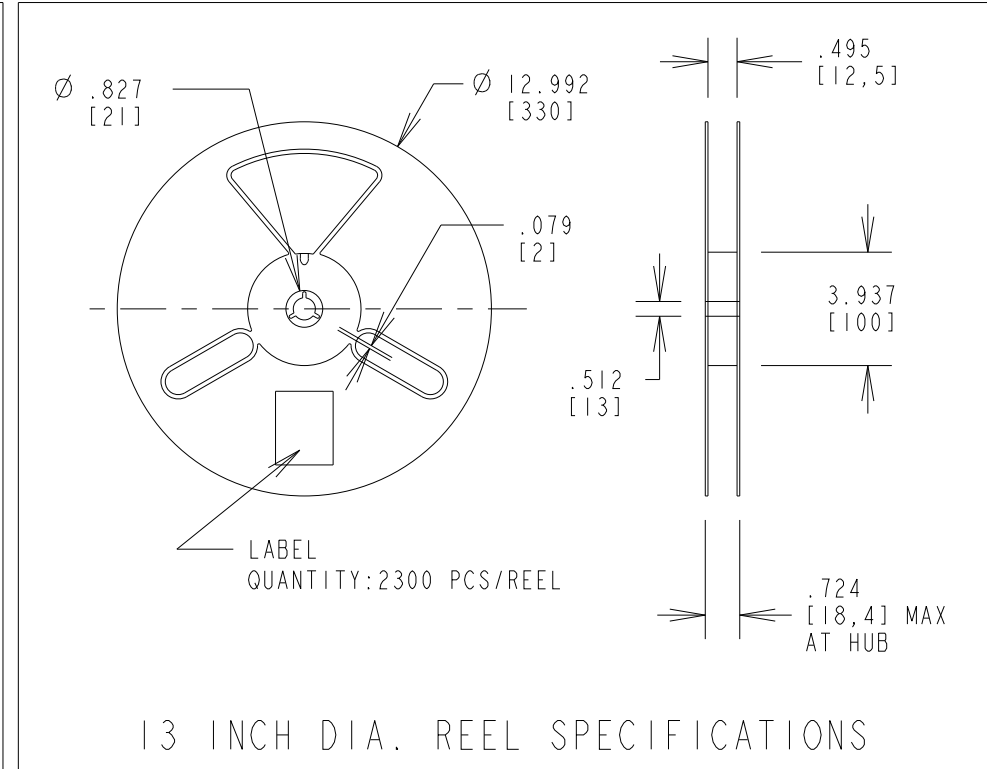
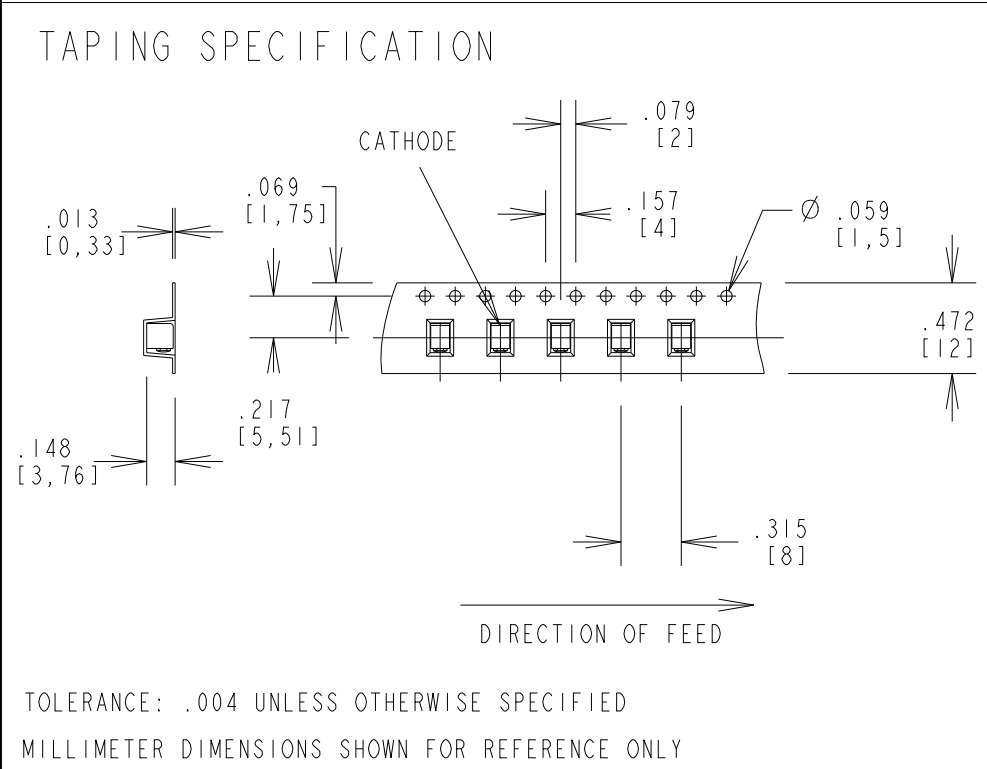
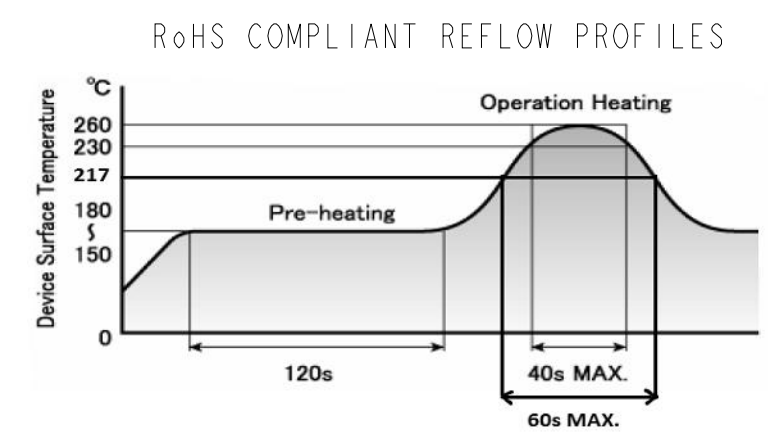
OPERATING CHARACTERISTICS AT 25°C AMBIENT						
CHARACTERISTICS	COLOR	MIN	TYP	MAX	UNITS	TEST CONDITIONS
LUMINOUS INTENSITY	GREEN	—	19.0	—	mcd	$I_F = 20 \text{ mA}$
	YELLOW	—	17.0	—		
FORWARD VOLTAGE	GREEN	—	2.1	2.5	V	
	YELLOW	—	2.2	2.5		
REVERSE VOLTAGE	ALL	—	—	4	V	$I_R = 100 \mu\text{A}$
PEAK WAVELENGTH	GREEN	—	560	—	nm	$I_F = 20 \text{ mA}$
	YELLOW	—	580	—		
DOMINANT WAVELENGTH	GREEN	—	567	—		
	YELLOW	589	—	595		

REV	ECN NO	REVISIONS	DRN	CKD	APP	DATE
A	—	NEW RELEASE	RSK	WFB	NO	11/20/14
B	—	MODIFIED GRAPH TO REFLECT VALUE OF 217	VP	SK	NO	5-21-15

ABSOLUTE MAXIMUM RATINGS AT 25°C AMBIENT	COLOR	VALUE	UNITS
POWER DISSIPATION	GREEN	75	
	YELLOW	75	
DERATE LINEARLY FROM 75°C	GREEN, YELLOW	1.0	mA/°C
CONTINUOUS FORWARD CURRENT	GREEN, YELLOW	30	mA
PEAK FORWARD CURRENT (1/10 DUTY CYCLE, 0.1 ms PULSE WIDTH)	GREEN, YELLOW	70	mA
OPERATING TEMPERATURE	GREEN, YELLOW	-40 TO +100	°C
STORAGE TEMPERATURE	GREEN, YELLOW	-40 TO +120	°C



- NOTES:
- MILLIMETER DIMENSIONS SHOWN FOR REFERENCE ONLY.
  - PAD NUMBERS ARE FOR REFERENCE ONLY, DESIGNATION NON-EXISTENT ON PART.
  - STORAGE CONDITIONS FOR TAPED PRODUCT: RE-TAPING MAY BE NECESSARY FOR PRODUCTS STORED MORE THAN TWELVE MONTHS.
  - ORDER QUANTITY IS LED ASSEMBLIES, NOT REELS
  - ...-002NF SUFFIX MEANS PARTS ARE PACKED ON A 20 pc SAMPLE STRIP
  - ...-007NF SUFFIX MEANS PARTS ARE PACKED ON A 7 INCH REEL, 600 pcs/REEL
  - ...-013NF SUFFIX MEANS PARTS ARE PACKED ON A 13 INCH REEL, 2300 pcs/REEL
  - DIALIGHT PART NUMBERS = 595-2x01-002NF, 595-2x01-007NF, 595-2x01-013NF
  - PLACE MOISTURE SENSITIVITY LEVEL "3" LABEL ON 595-2301-002NF, 595-2301-007NF, 595-2301-013NF, 595-2401-002NF, 595-2401-007NF, 595-2401-013NF. VACUUM SEAL BAG.
  - PACKAGE ONE HUMIDITY INDICATOR CARD (P/N 9100-999-0662-99) PER BAG.
  - PER LENS INSPECTION PROCEDURE 01-225 THIS AREA CAN HAVE PORTIONS MISSING OF UP TO 50%. NON-CRITICAL AREA BELOW LENS.



**RoHS Compliant 595-2X01-0XXNF Surface Mount CBI**  
 Part Numbers with the "F" suffix ending are RoHS Compliant.  
 Example: 595-2301-002NF  
 Packaging is marked with "RoHS Compliant" label or equivalent markings. Parts can be wave soldered, dip soldered, or hand soldered using typical lead-free soldering process with max 260°C temp. for 5 sec.

THIS DRAWING AND THE CONTENTS HEREIN ARE CONFIDENTIAL AND THE SOLE PROPERTY OF DIALIGHT. REPRODUCTION OF THIS DRAWING OR CONSTRUCTION OF ANY PARTS WITHIN THIS DRAWING ARE FORBIDDEN WITHOUT THE WRITTEN CONSENT OF DIALIGHT.		
SCALE: DRAWING SCALE	DRAWING NUMBER	REV
ALL DIM'S IN: INCHES (MM)	C-18127	A
TOLERANCES: UNLESS OTHERWISE SPECIFIED	TITLE SURFACE MOUNT CBI	
FRACTIONS: ±1/64	RoHS COMPLIANT	
DECIMALS (.XX): ±.01	MATERIAL	
DECIMALS (.XXX): ±.005	FINISH:	
DECIMALS (.XXXX): ±.0005	FSCM 83330	
ANGLES: ±1°	SHEET 1 OF 1 FAMILY TABLE:	
Dialight 1501 ROUTE 34 SOUTH FARMINGDALE, NJ 07727		

TOLERANCE: .004 UNLESS OTHERWISE SPECIFIED  
 MILLIMETER DIMENSIONS SHOWN FOR REFERENCE ONLY