



Chipsmall Limited consists of a professional team with an average of over 10 year of expertise in the distribution of electronic components. Based in Hongkong, we have already established firm and mutual-benefit business relationships with customers from,Europe,America and south Asia,supplying obsolete and hard-to-find components to meet their specific needs.

With the principle of "Quality Parts,Customers Priority,Honest Operation,and Considerate Service",our business mainly focus on the distribution of electronic components. Line cards we deal with include Microchip,ALPS,ROHM,Xilinx,Pulse,ON,Everlight and Freescale. Main products comprise IC,Modules,Potentiometer,IC Socket,Relay,Connector.Our parts cover such applications as commercial,industrial, and automotives areas.

We are looking forward to setting up business relationship with you and hope to provide you with the best service and solution. Let us make a better world for our industry!



Contact us

Tel: +86-755-8981 8866 Fax: +86-755-8427 6832

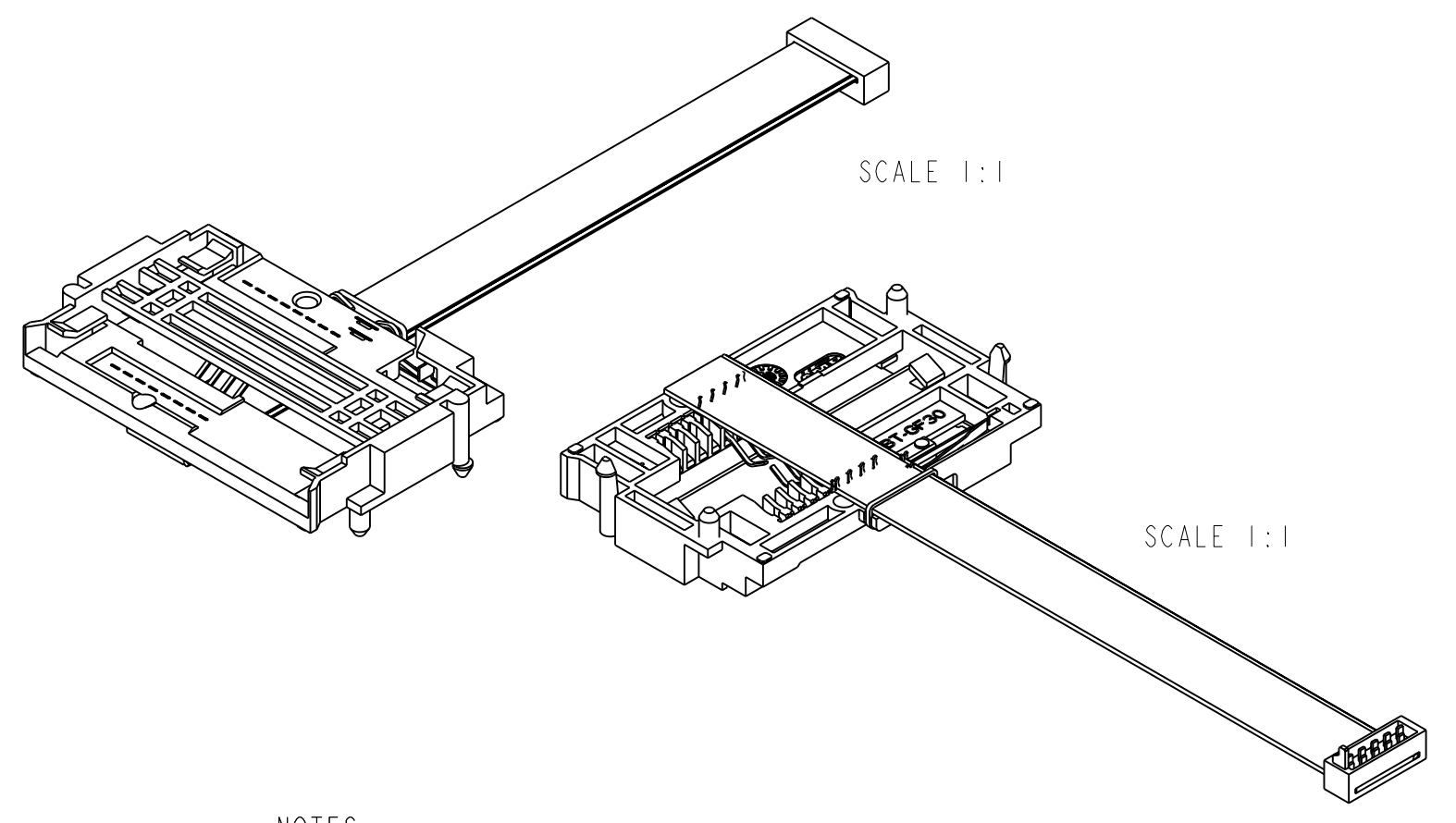
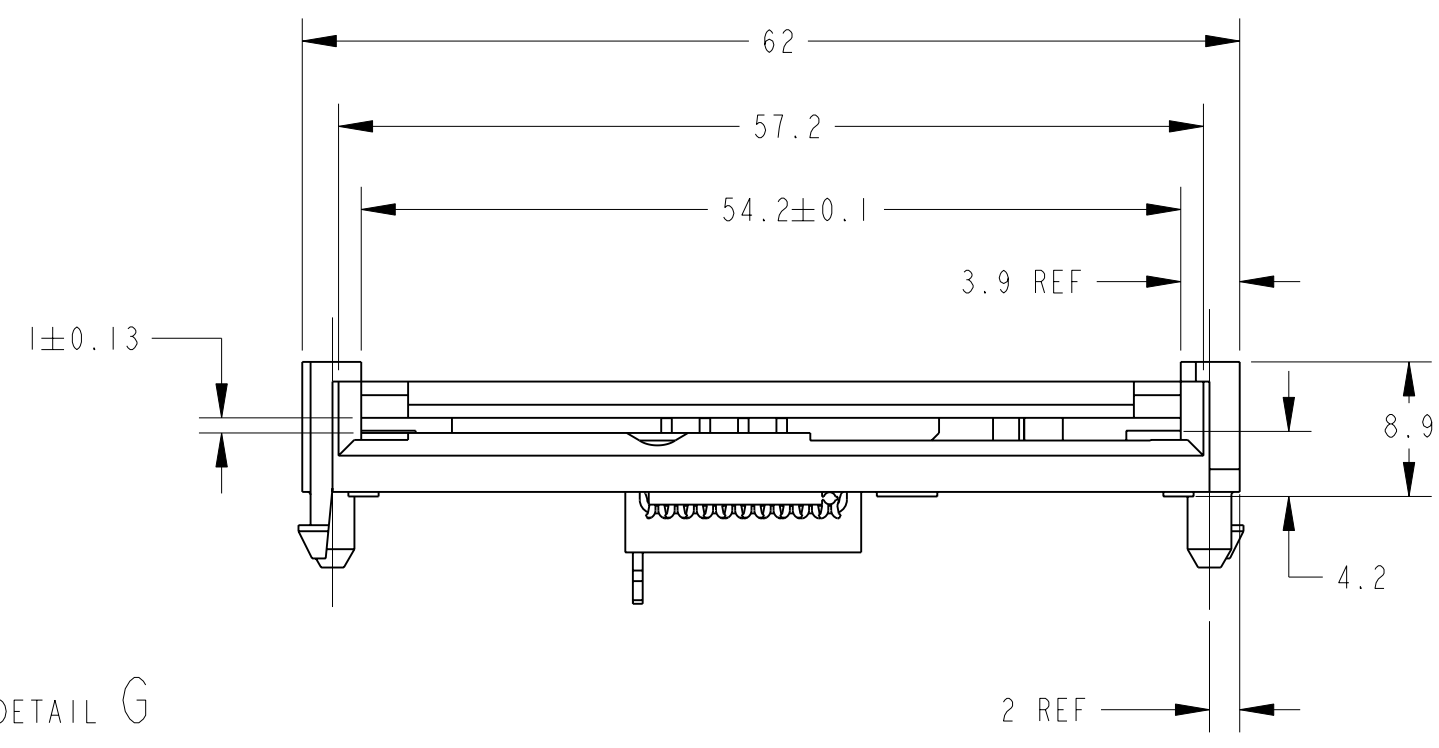
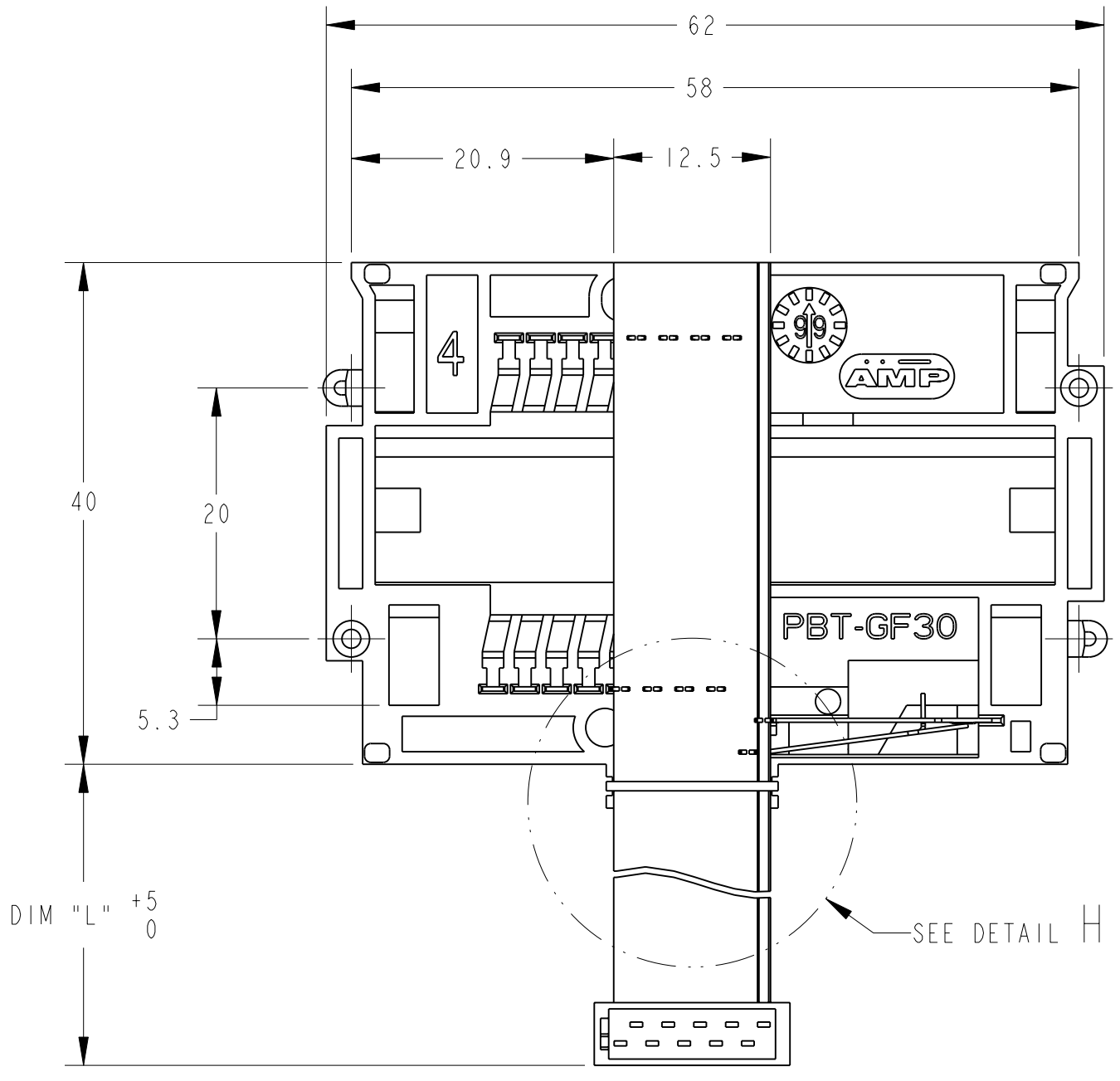
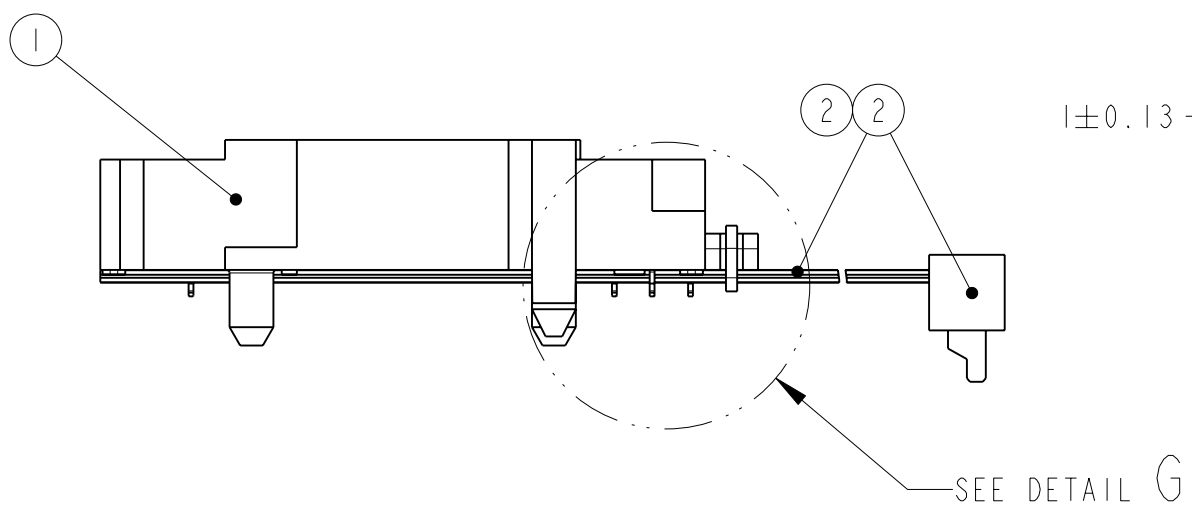
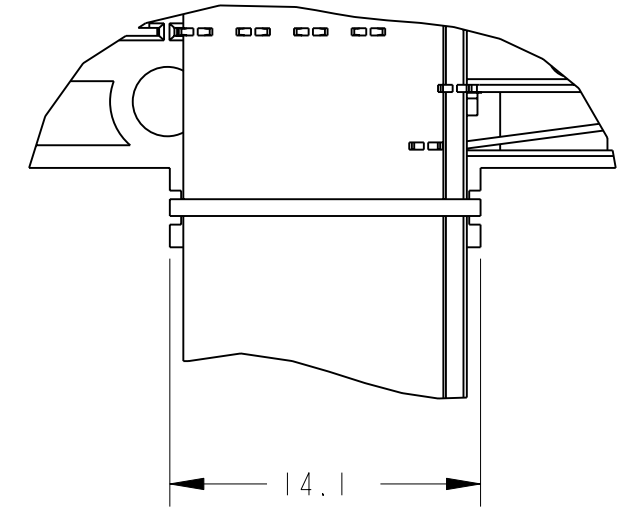
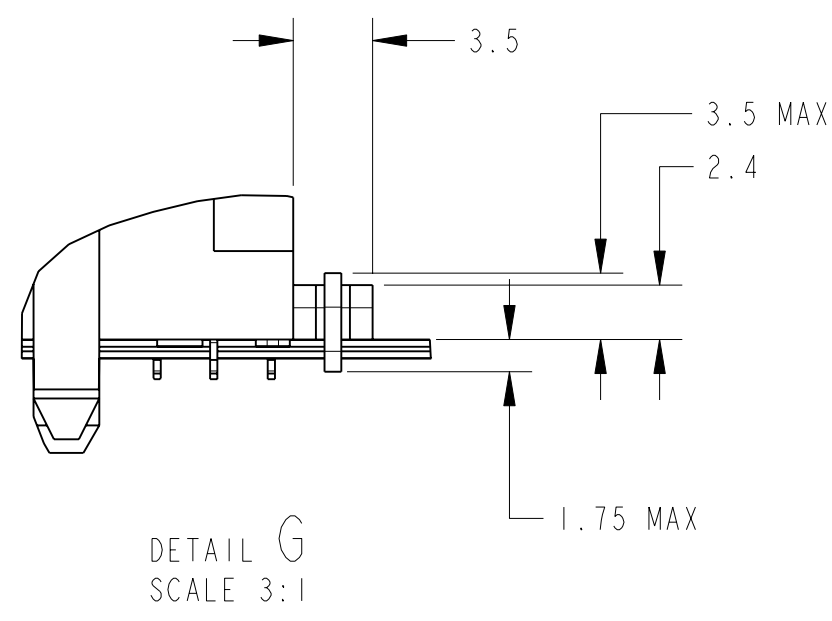
Email & Skype: info@chipsmall.com Web: www.chipsmall.com

Address: A1208, Overseas Decoration Building, #122 Zhenhua RD., Futian, Shenzhen, China



THIS DRAWING IS UNPUBLISHED. RELEASED FOR PUBLICATION
 © COPYRIGHT - ALL RIGHTS RESERVED.

LOC	DIST	REVISIONS					
IR	-	P	LTR	DESCRIPTION	DATE	DWN	APVD
		A		EH10-0478-04	30NOV2004	RC	PJ
		B		ECR-09-024818	12 NOV 2009	GG	PCH
		BI		ECR-11-004915	08 MAR 2011	GG	PKS



NOTES:

CONTACTS PLATING :

- 1 OVERALL: Ni 2µm MIN, ALL OVER THE CONTACTS.
- 2 SOLDER ZONE: Sn 2.5µm MIN ON THE SOLDER ZONE OF THE CONTACTS.
- 3 MATING ZONE: PLATING CONFIRMS TO PRODUCT REQUIREMENTS AS PER SPECIFICATION 108-15174.

MATERIAL :

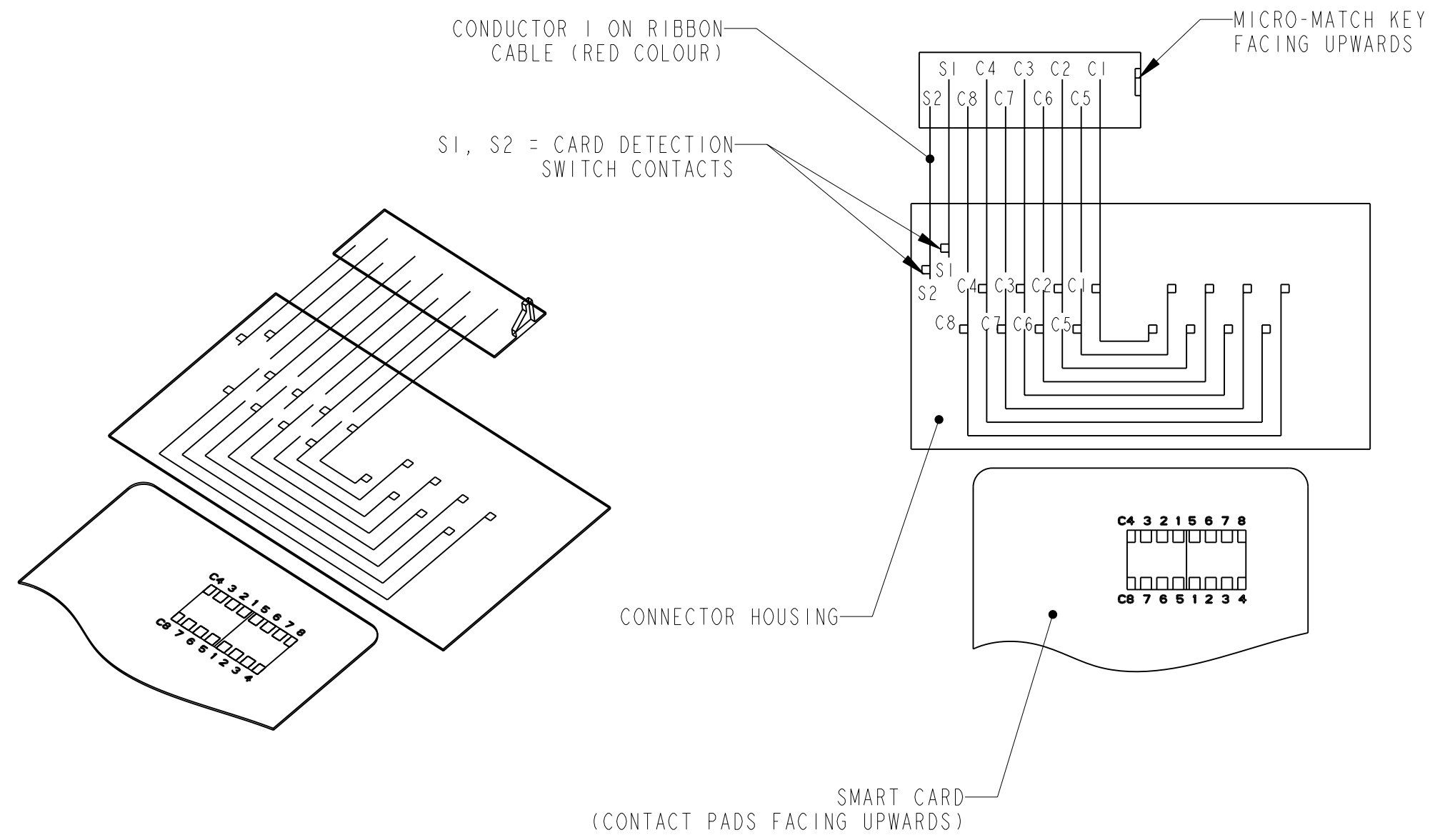
- 1 HOUSING: PBT-GF, BLACK UL 94V0.
- 2 CONTACTS: PHOSPHOR BRONZE.
- 3 TE SMART CARD RECEPTACLE DESIGNED TO ACCEPT ISO 7810-7816 TYPE INTEGRATED CIRCUIT SMART CARDS (0.76MM REF. THICKNESS) SEE SHEET 2/2
- 4 UL STYLE 2651 RIBBON CABLE AND, 10 POSITIONS MICRO-MATCH CONNECTOR; TO BE MATED WITH 1-215079-0 THROUGH HOLE VERSION OR 1-188275-0 SMT VERSION.

ASS'Y P/N	5	4	3	2	1	DESCRIPTION	ITEM
						FERRITE CORE (SEE SHEET 2)	3
						RIBBON CABLE ASS'Y, L = 80mm	2
						RIBBON CABLE ASS'Y, L = 150mm	2
						RIBBON CABLE ASS'Y, L = 305mm	2
						RIBBON CABLE ASS'Y, L = 100mm	2
						SMART CARD READER ASS'Y 8 POS. WITH METAL STRAIN RELIEF	1
ASS'Y P/N 5953131	-5	-4	-3	-2	-1	DESCRIPTION	ITEM
Qty per ASS'Y							

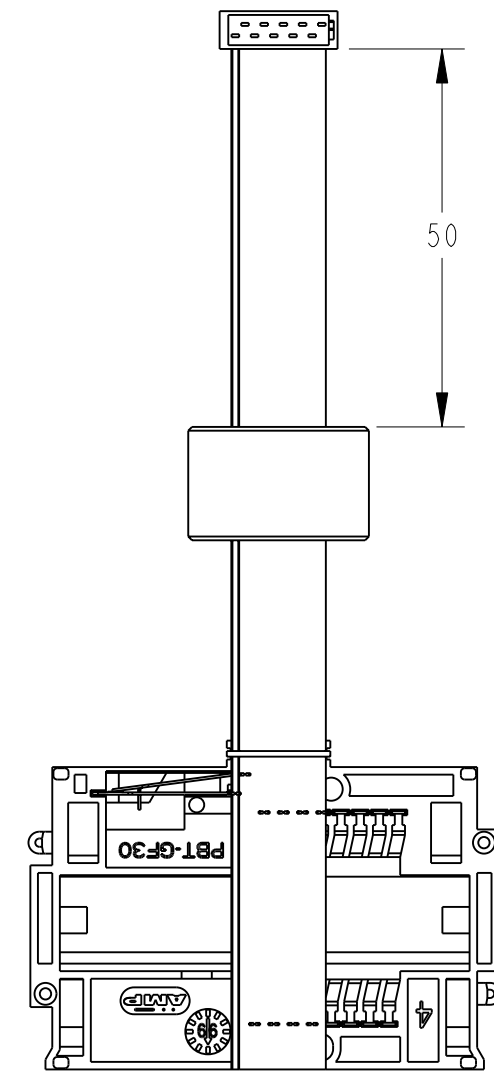
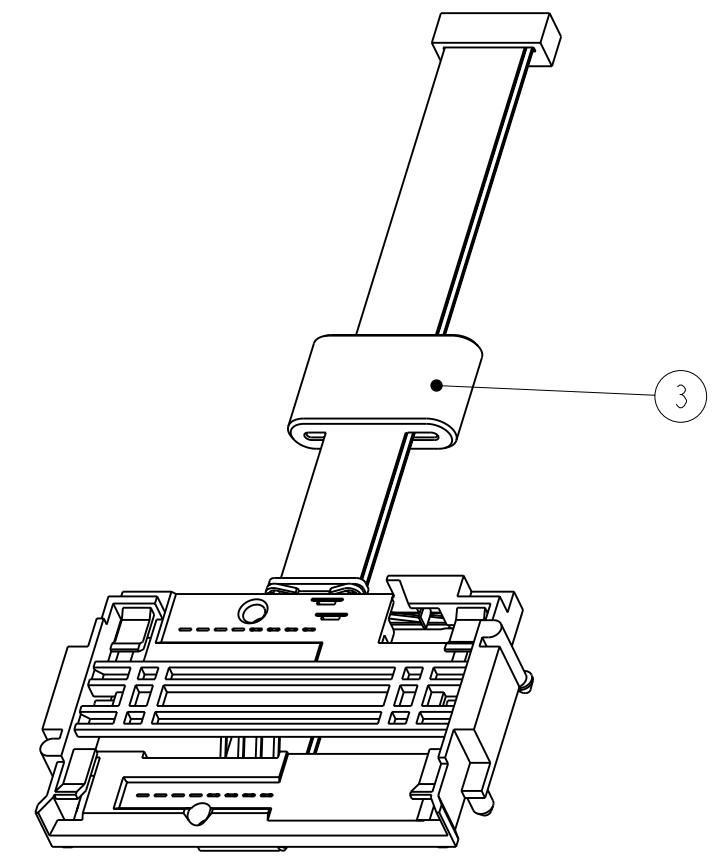
THIS DRAWING IS A CONTROLLED DOCUMENT.		DWN R. Coolen	30-Nov-04	TE Connectivity	
DIMENSIONS: mm		CHK W. Jansen			
TOLERANCES UNLESS OTHERWISE SPECIFIED:		APVD P. Jaeger		NAME	
0 PLC ±0,3		PRODUCT SPEC	108-15174	SMART CARD READER WITH RIBBON CABLE 8 POSITIONS	
1 PLC ±0,3		APPLICATION SPEC		SIZE	A2
2 PLC ±0,3		WEIGHT		CAGE CODE	C-5953131
3 PLC ±				DRAWING NO	
4 PLC ±				RESTRICTED TO	
ANGLES ±				SCALE	2:1
FINISH				SHEET	1 OF 2
MATERIAL				REV	BI
				CUSTOMER DRAWING	

THIS DRAWING IS UNPUBLISHED. RELEASED FOR PUBLICATION
 © COPYRIGHT - ALL RIGHTS RESERVED.

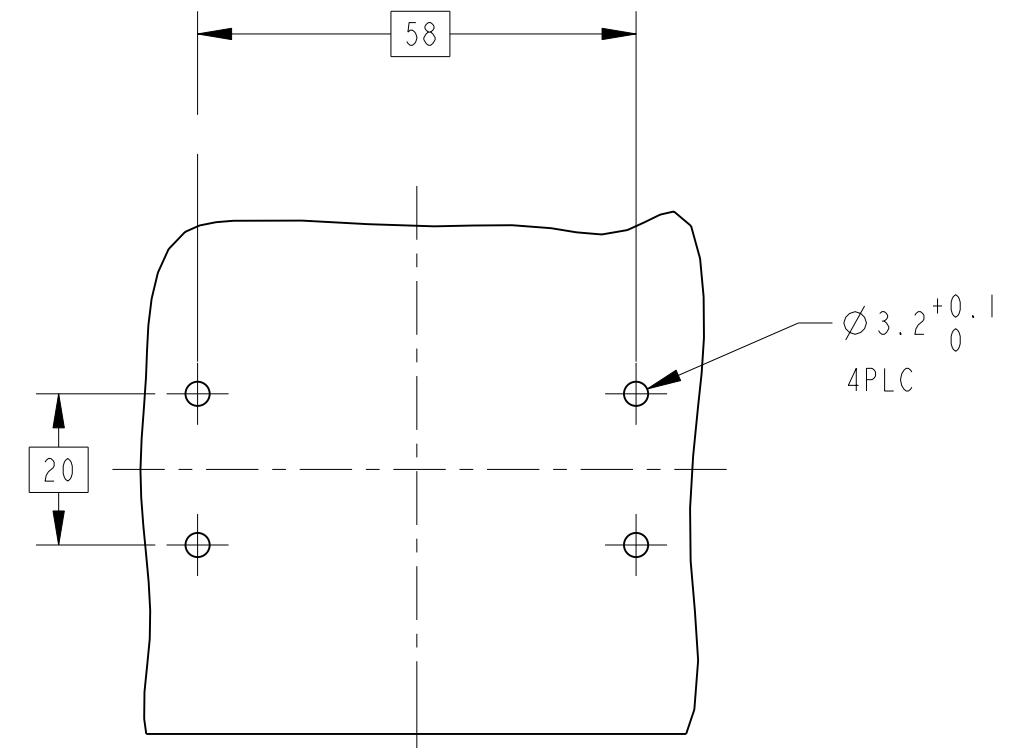
LOC	DIST	REVISIONS					
1R	-	P	LTR	DESCRIPTION	DATE	DWN	APVD
		-		SEE SHEET 1			



ELECTRICAL DIAGRAM



PN 5953131-5 AS SHOWN



SMART CARD INSERTION DIRECTION ↑
RECOMMENDED LAYOUT
 CONNECTOR SIDE
 BOARD THICKNESS = 1.57mm
 POSITION TOLERANCE FOR ALL HOLES $\varnothing 0.1$

THIS DRAWING IS A CONTROLLED DOCUMENT.		DWN R. Coolen	30-Nov-04	STE TE Connectivity	
DIMENSIONS: mm		CHK W. Jansen			
TOLERANCES UNLESS OTHERWISE SPECIFIED:		APVD P. Jaeger		NAME SMART CARD READER WITH RIBBON CABLE 8 POSITIONS	
0 PLC ±0,3		PRODUCT SPEC		SIZE A2	CAGE CODE
1 PLC ±0,3		APPLICATION SPEC		DRAWING NO	RESTRICTED TO
2 PLC ±0,3		WEIGHT		C=5953131	
3 PLC ±				SCALE 2:1	SHEET 2 OF 2
4 PLC ±					REV B1
ANGLES ±					
FINISH					
MATERIAL		CUSTOMER DRAWING			