



Chipsmall Limited consists of a professional team with an average of over 10 year of expertise in the distribution of electronic components. Based in Hongkong, we have already established firm and mutual-benefit business relationships with customers from,Europe,America and south Asia,supplying obsolete and hard-to-find components to meet their specific needs.

With the principle of “Quality Parts,Customers Priority,Honest Operation,and Considerate Service”,our business mainly focus on the distribution of electronic components. Line cards we deal with include Microchip,ALPS,ROHM,Xilinx,Pulse,ON,Everlight and Freescale. Main products comprise IC,Modules,Potentiometer,IC Socket,Relay,Connector.Our parts cover such applications as commercial,industrial, and automotives areas.

We are looking forward to setting up business relationship with you and hope to provide you with the best service and solution. Let us make a better world for our industry!



## Contact us

Tel: +86-755-8981 8866 Fax: +86-755-8427 6832

Email & Skype: info@chipsmall.com Web: www.chipsmall.com

Address: A1208, Overseas Decoration Building, #122 Zhenhua RD., Futian, Shenzhen, China

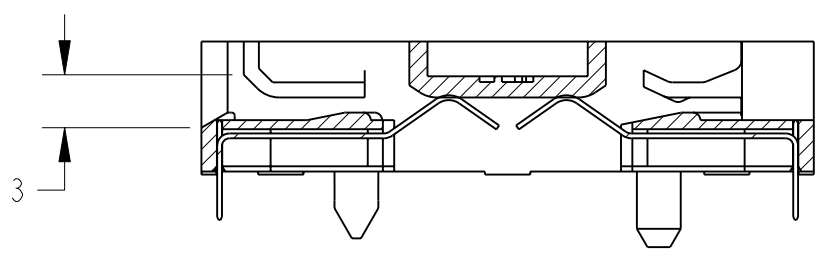


THIS DRAWING IS UNPUBLISHED. RELEASED FOR PUBLICATION  
 © COPYRIGHT - ALL RIGHTS RESERVED.

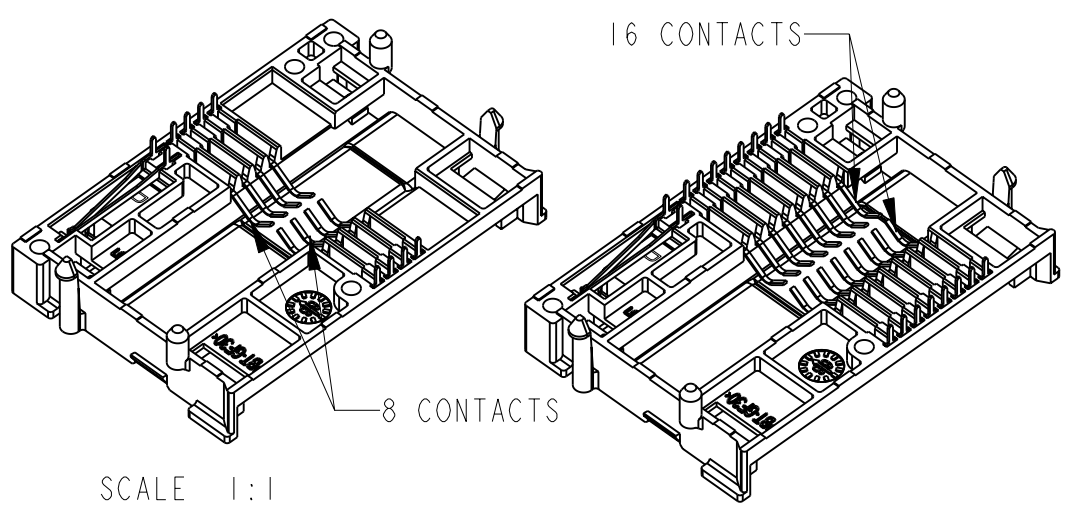
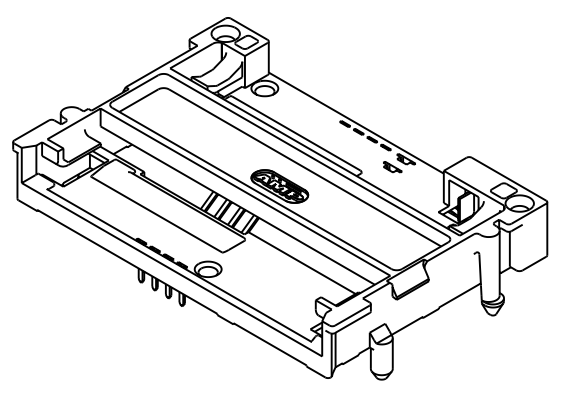
PN 5953398-1

PN 5953398-2

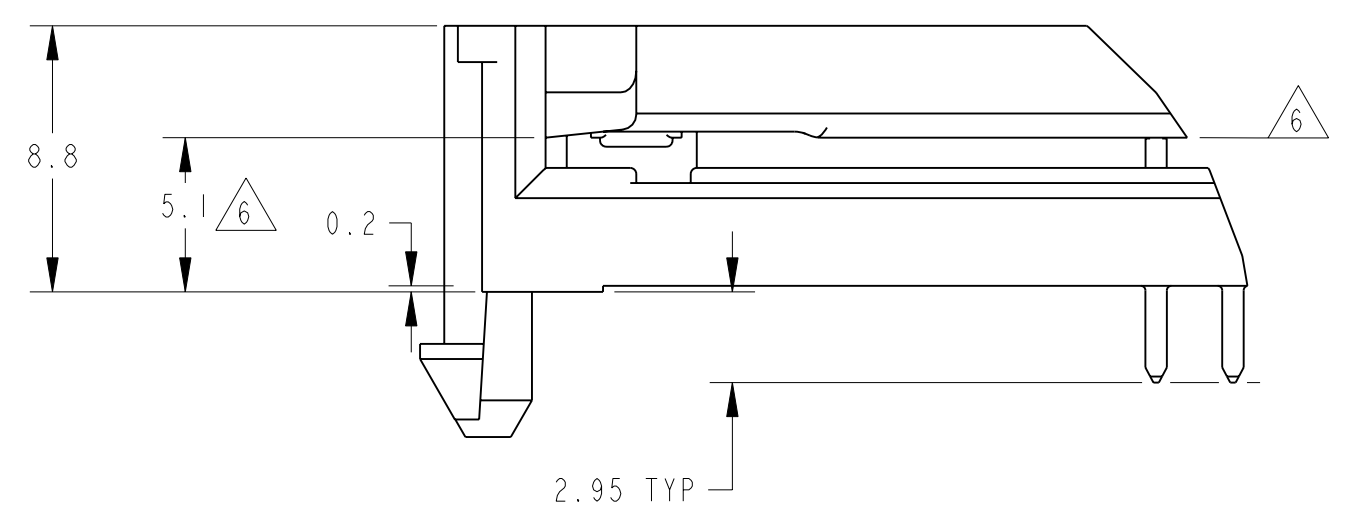
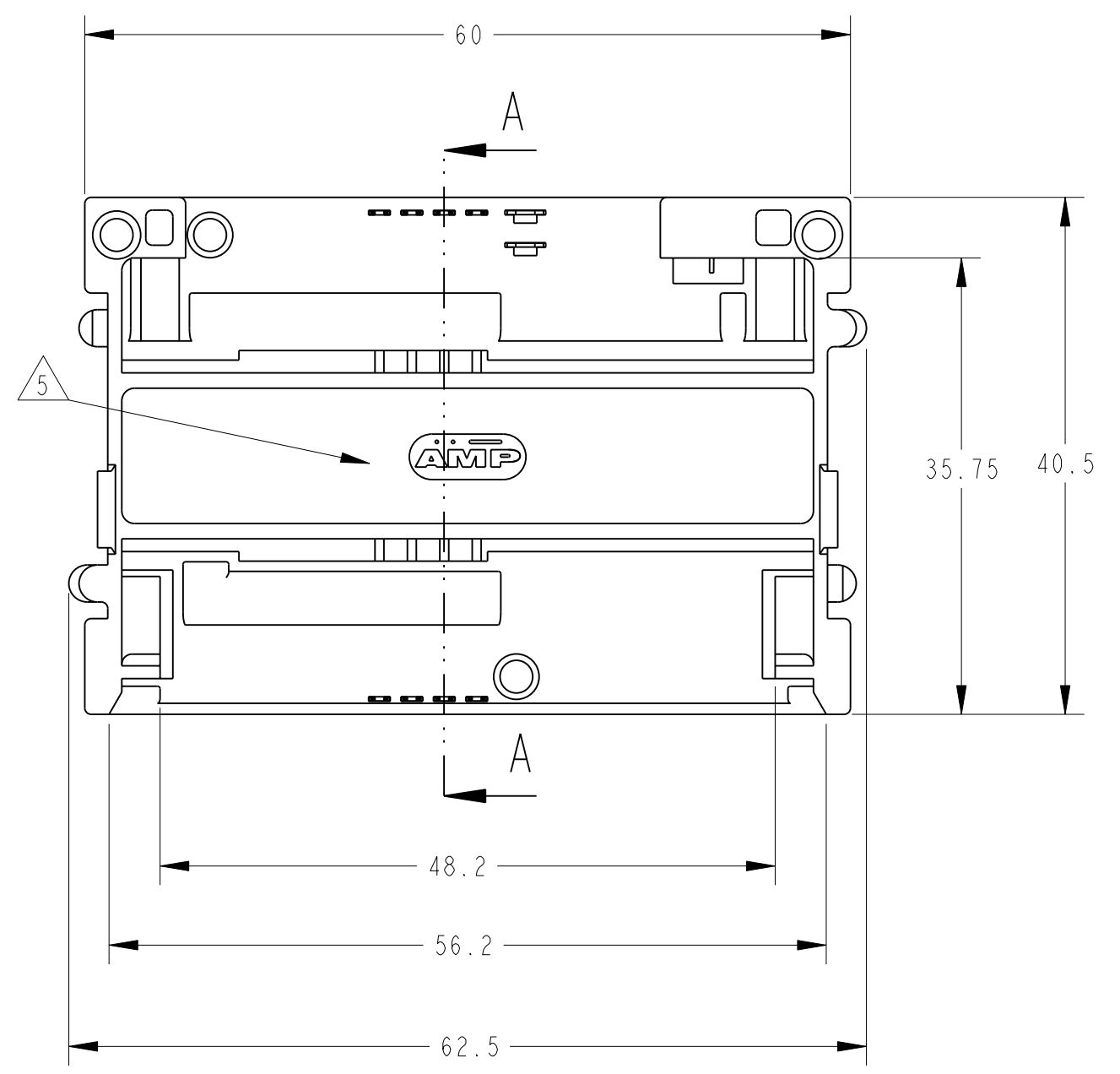
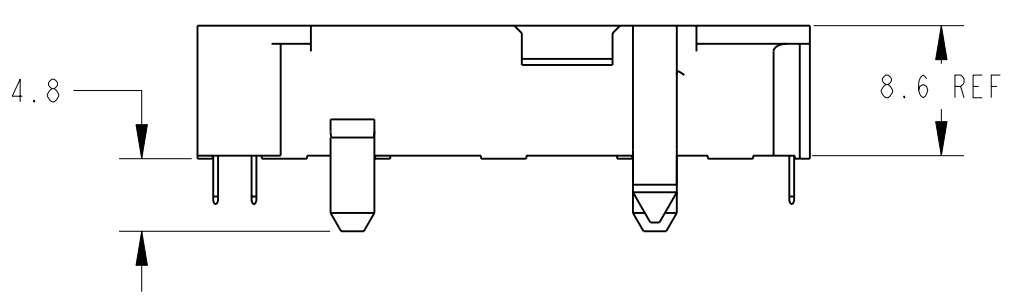
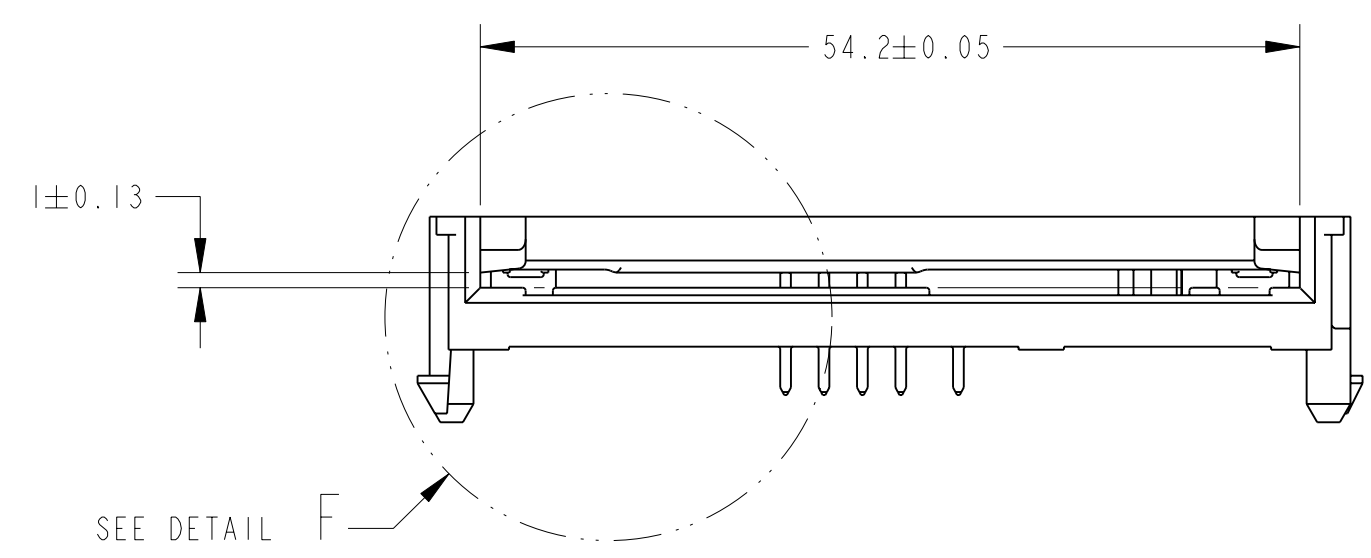
LOC	DIST	REVISIONS			
P	LTR	DESCRIPTION	DATE	DWN	APVD
IR	-	D	ECR-11-025634	20DEC2011	GG RRP



SECTION A-A



SCALE 1:1



DETAIL F  
SCALE 4:1

NOTES:

CONTACTS PLATING :

- 1 OVERALL: Ni 2µm MIN, ALL OVER THE CONTACTS.
- SOLDER ZONE: Sn 2.5µm MIN ON THE SOLDER ZONE OF THE CONTACTS.
- MATING ZONE: PLATING CONFIRMS TO PRODUCT REQUIREMENTS AS PER SPECIFICATION 108-15202.

MATERIAL :

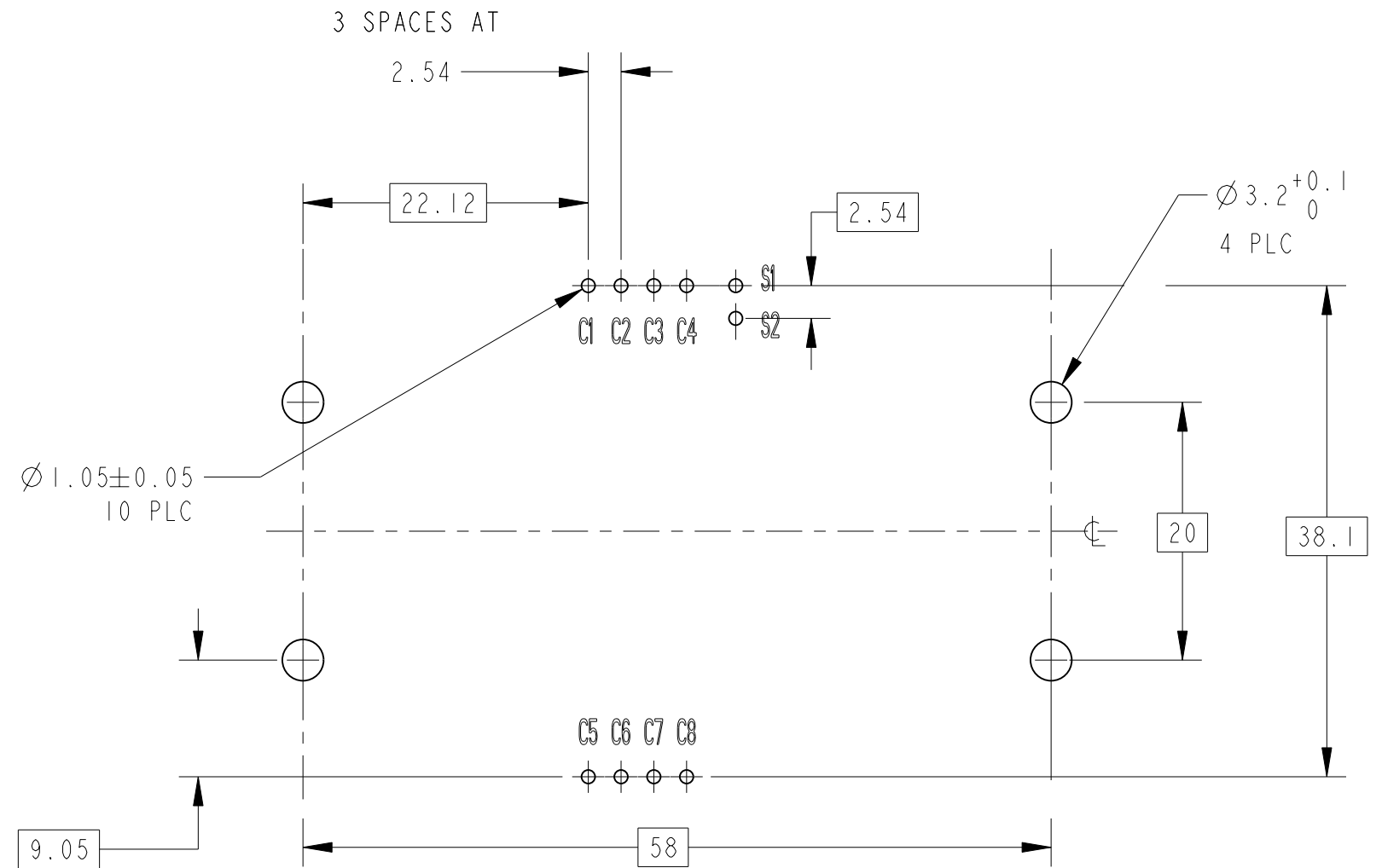
- 2 HOUSING: PBT-GF, BLACK UL 94V0.
- CONTACTS: PHOSPHOR BRONZE.
- 3 TE SMART CARD RECEPTACLE DESIGNED TO ACCEPT ISO 7810-7816 TYPE INTEGRATED CIRCUIT SMART CARDS (0.76MM REF. THICKNESS) SEE SHEET 2/2
- 4 8 POSITIONS 5953398-1 SHOWN ON DRAWING
- 5 LOGO SHAPE AND POSITION VARY DEPENDING ON MOLD CAVITY NUMBER.
- 6 DIMENSION APPLICABLE IN CARD CONTACT AREA ONLY SURFACE VARY DEPENDING ON MOLD CAVITY NUMBER

PartNumber : 5953398-1	8 POSITIONS ISO 7816
PartNumber : 5953398-2	16 POSITIONS ISO / CP8 AFNOR

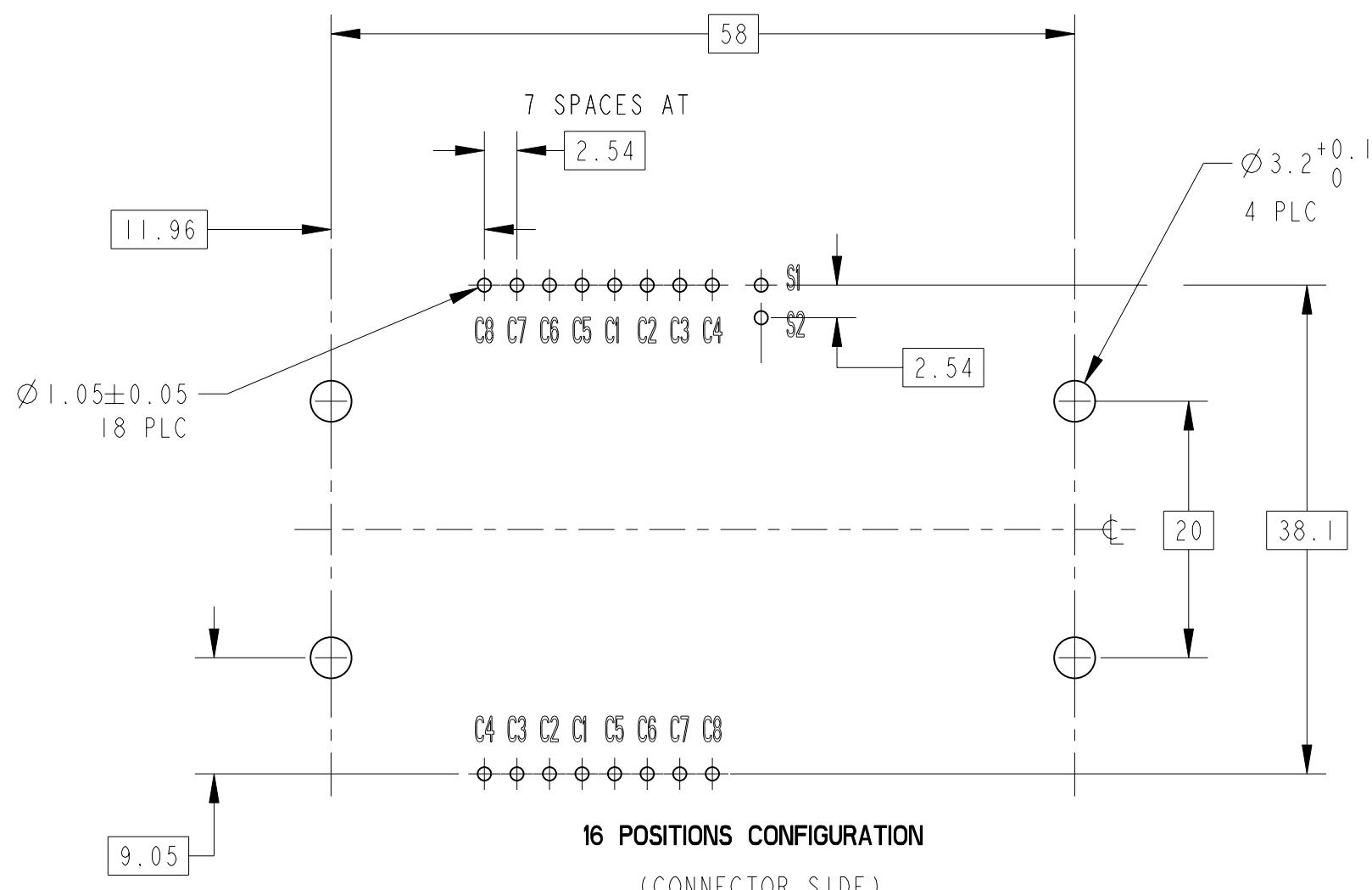
THIS DRAWING IS A CONTROLLED DOCUMENT.		DWN R. Coolen 16 Dec 04	TE Connectivity	
DIMENSIONS: mm		CHK W. Jansen		
TOLERANCES UNLESS OTHERWISE SPECIFIED:		APVD P. Jaeger	NAME SMART CARD READER 0.76	
0 PLC ± 0.5	1 PLC ± 0.3	PRODUCT SPEC 108-15202	PCB MOUNT THROUGH HOLE, LOW PROFILE	
2 PLC ± 0.13	3 PLC ± -	APPLICATION SPEC -	BLADE SWITCH NORMALLY CLOSED	
4 PLC ± -	ANGLES ± -	WEIGHT 8,5/9 g	SIZE A2	CAGE CODE G-5953398
FINISH	FINISH	CUSTOMER DRAWING	SCALE 1:1	SHEET 1 OF 2 REV D

THIS DRAWING IS UNPUBLISHED. RELEASED FOR PUBLICATION  
 © COPYRIGHT - ALL RIGHTS RESERVED.

LOC	DIST	REVISIONS			
P	LTR	DESCRIPTION	DATE	DWN	APVD
IR	-	SEE SHEET 1	-	-	-



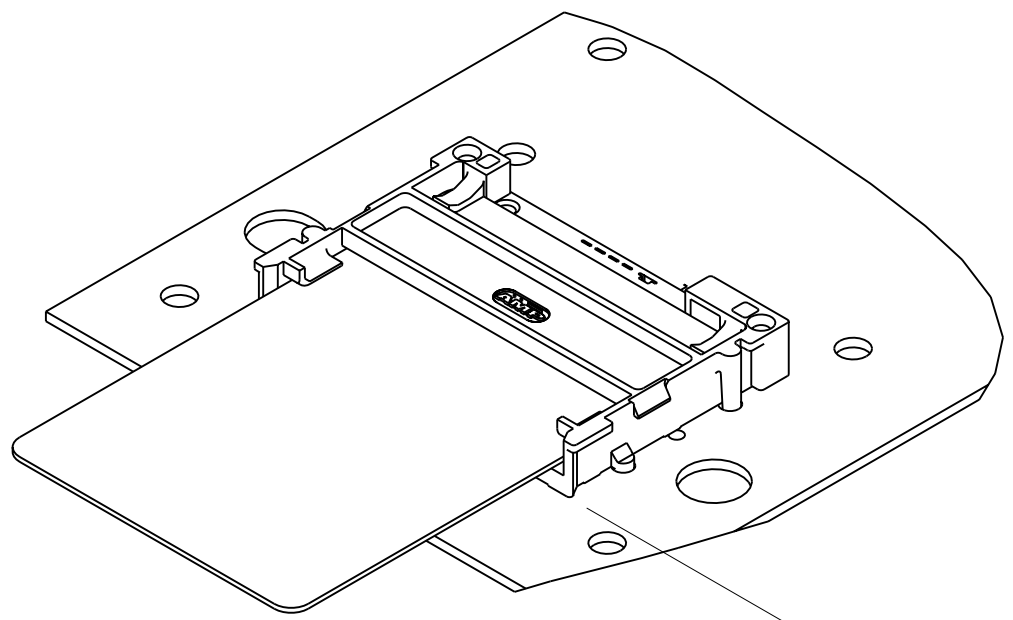
**8 POSITIONS CONFIGURATION**  
 (CONNECTOR SIDE)  
 SCALE 2:1



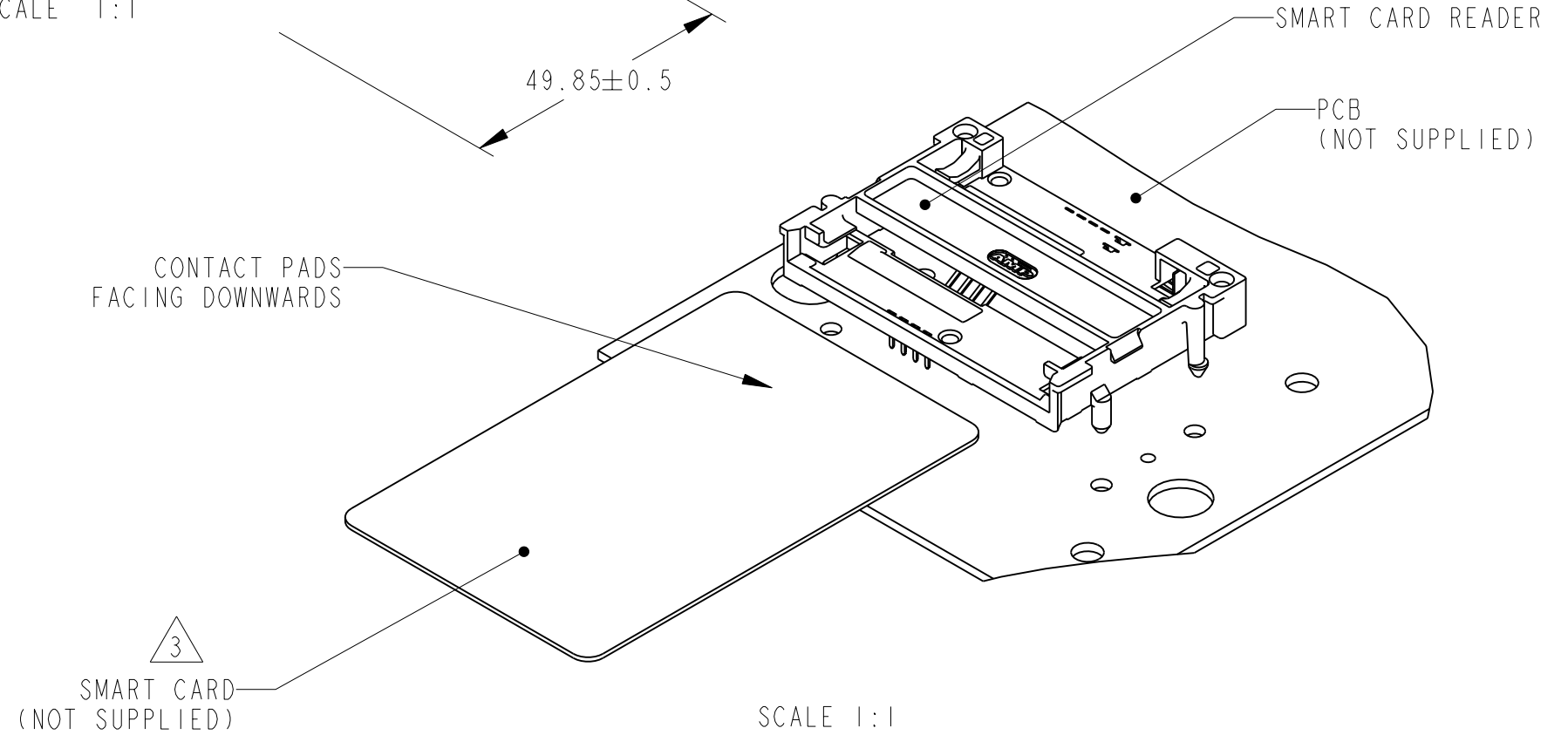
**16 POSITIONS CONFIGURATION**  
 (CONNECTOR SIDE)

POSITION TOLERANCE FOR ALL HOLES  $\oplus \ominus \varnothing 0.1$   
 PC BOARD THICKNESS 1.57±0.1 (.062)

**RECOMMENDED PCB LAYOUT**



SCALE 1:1



SCALE 1:1

**PCB MOUNTING CONFIGURATION**

THIS DRAWING IS A CONTROLLED DOCUMENT.		DWN R. Coolen	16 Dec 04	TE Connectivity	
DIMENSIONS: mm		CHK W. Jansen	APVD P. Jaeger		
TOLERANCES UNLESS OTHERWISE SPECIFIED:		PRODUCT SPEC 108-15202		SIZE A2	CAGE CODE C-5953398
0 PLC ±0,5 1 PLC ±0,3 2 PLC ±0,13 3 PLC ± 4 PLC ± ANGLES ± FINISH ±		APPLICATION SPEC -		WEIGHT 8,5/9 g	RESTRICTED TO -
MATERIAL		CUSTOMER DRAWING		SCALE 1:1	SHEET 2 OF 2