



Chipsmall Limited consists of a professional team with an average of over 10 year of expertise in the distribution of electronic components. Based in Hongkong, we have already established firm and mutual-benefit business relationships with customers from,Europe,America and south Asia,supplying obsolete and hard-to-find components to meet their specific needs.

With the principle of “Quality Parts,Customers Priority,Honest Operation,and Considerate Service”,our business mainly focus on the distribution of electronic components. Line cards we deal with include Microchip,ALPS,ROHM,Xilinx,Pulse,ON,Everlight and Freescale. Main products comprise IC,Modules,Potentiometer,IC Socket,Relay,Connector.Our parts cover such applications as commercial,industrial, and automotives areas.

We are looking forward to setting up business relationship with you and hope to provide you with the best service and solution. Let us make a better world for our industry!



Contact us

Tel: +86-755-8981 8866 Fax: +86-755-8427 6832

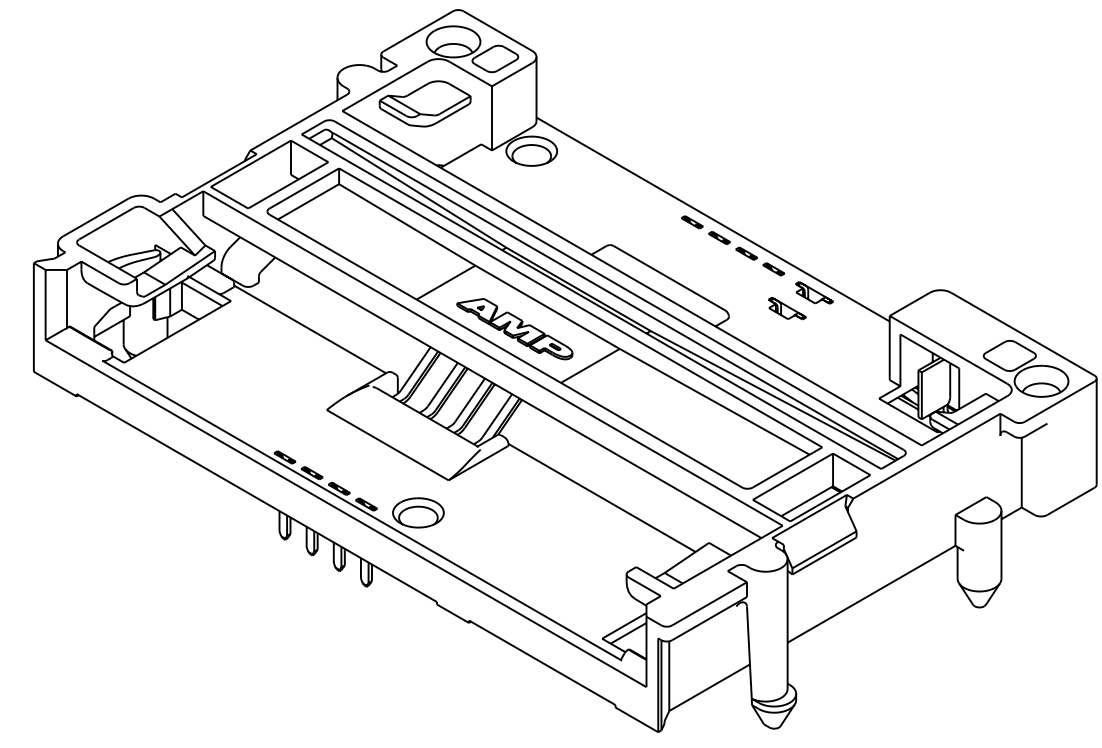
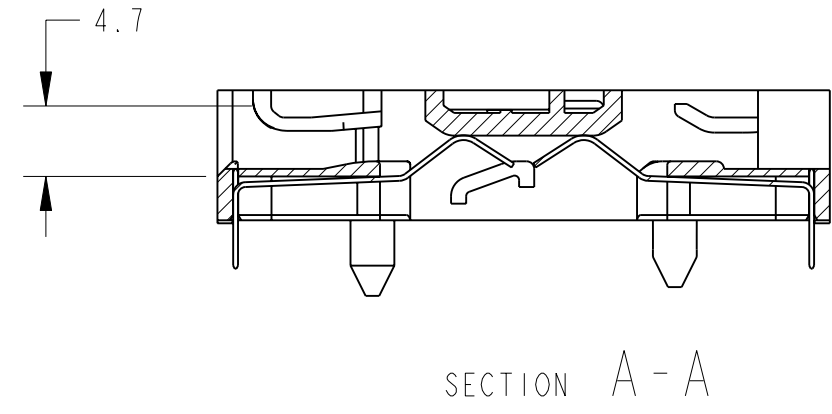
Email & Skype: info@chipsmall.com Web: www.chipsmall.com

Address: A1208, Overseas Decoration Building, #122 Zhenhua RD., Futian, Shenzhen, China



THIS DRAWING IS UNPUBLISHED. RELEASED FOR PUBLICATION
 © COPYRIGHT - ALL RIGHTS RESERVED.

LOC		DIST		REVISIONS			
P	LTR	DESCRIPTION	DATE	DWN	APVD		
IR	-	BI	ECR-11-004915	08 MAR 2011	GG	PKS	



NOTES:

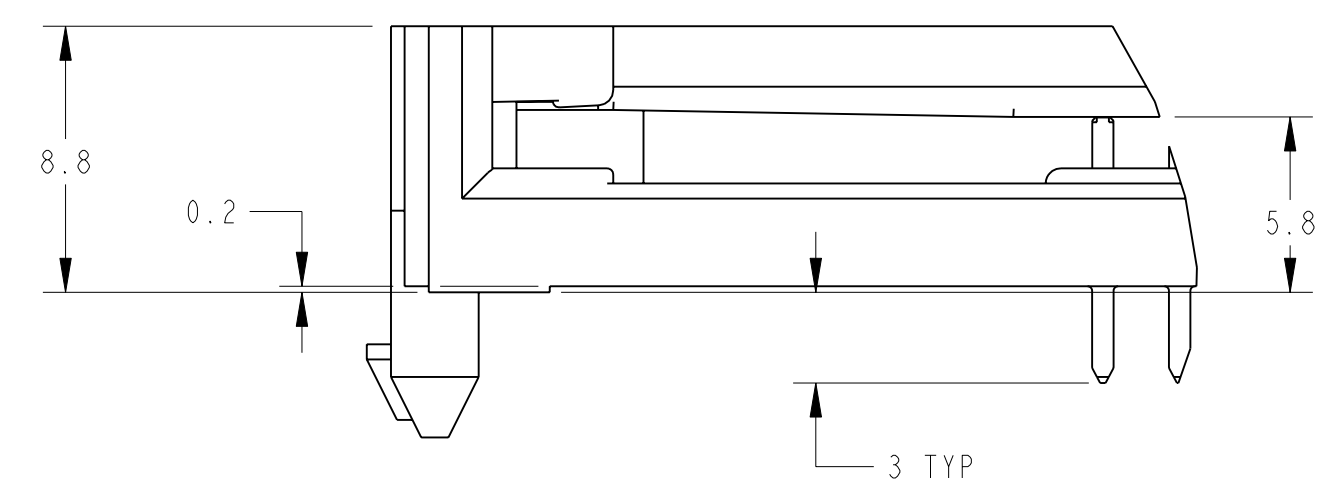
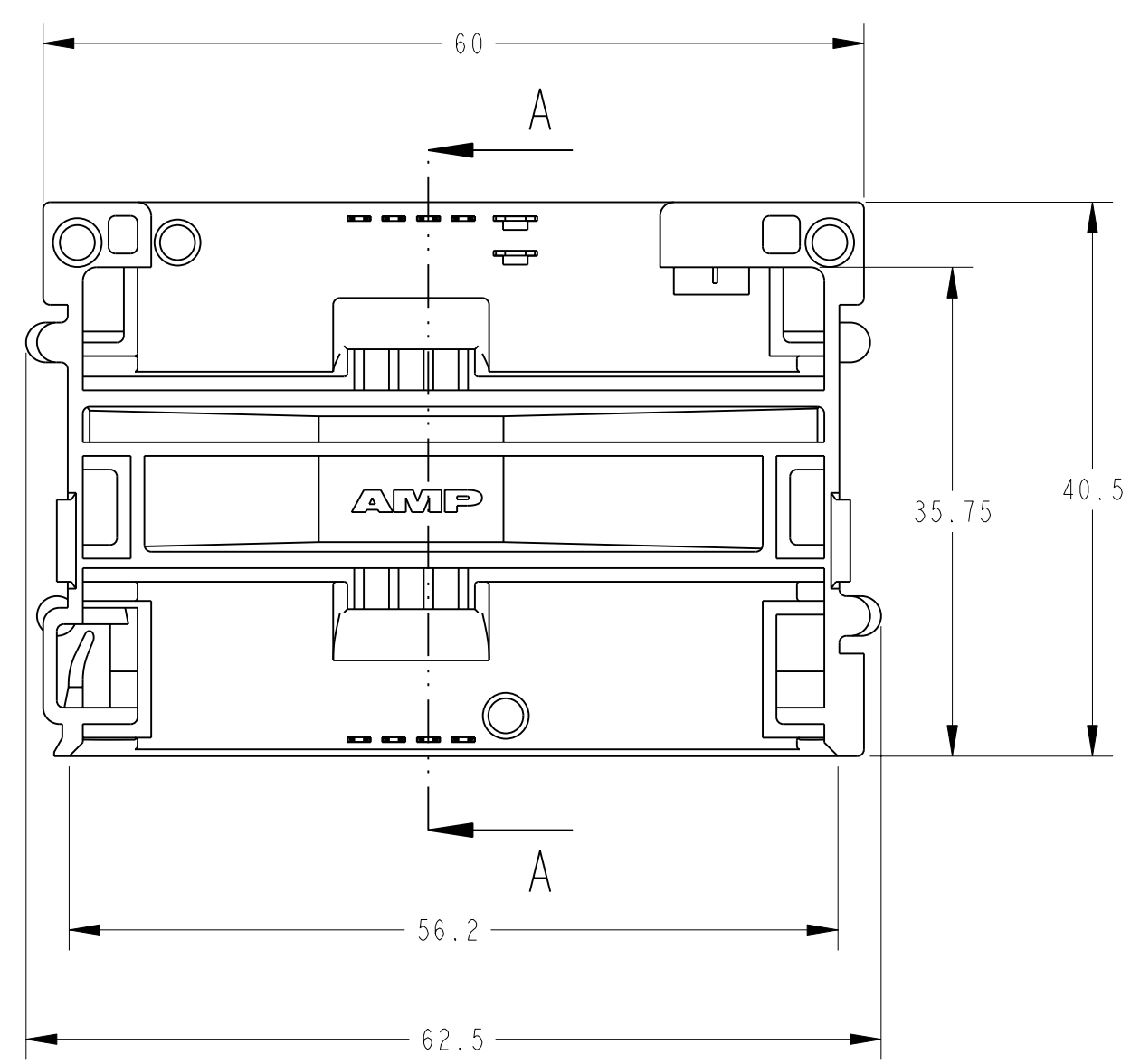
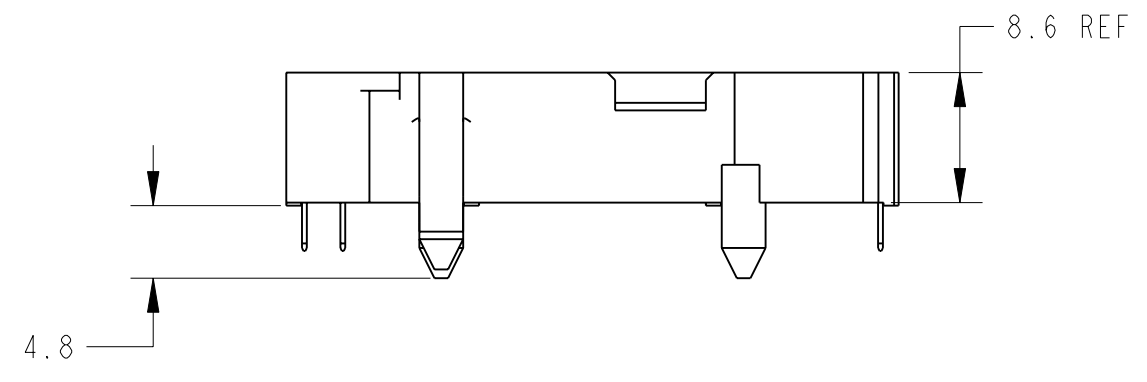
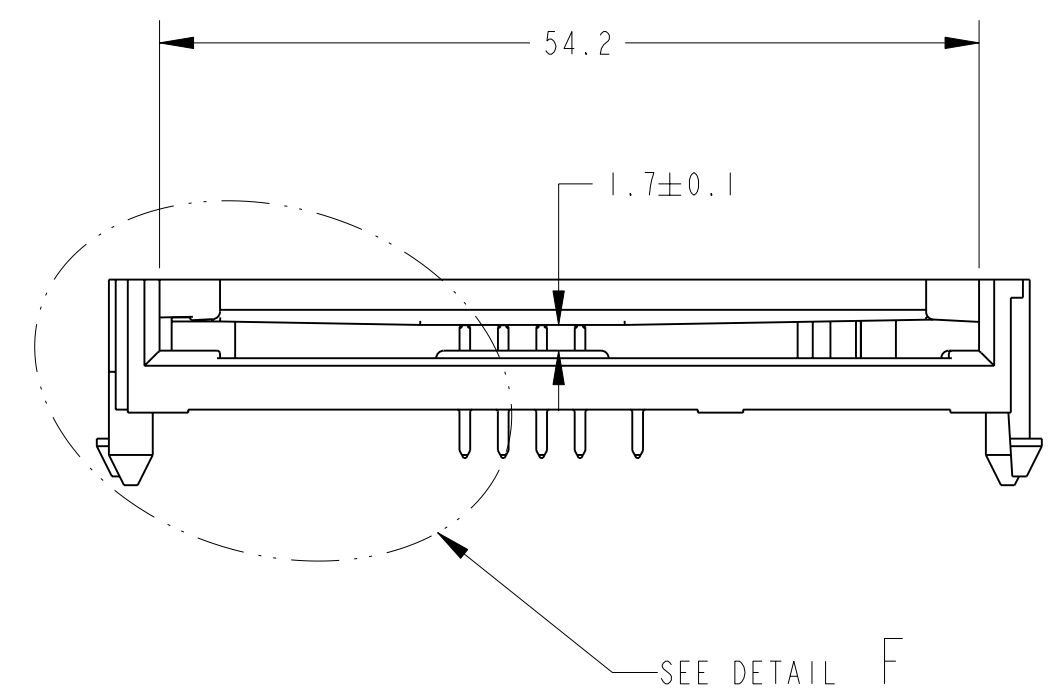
CONTACTS PLATING :

- 1 OVERALL: Ni 2µm MIN, ALL OVER THE CONTACTS.
 SOLDER ZONE: Sn 2.5µm MIN ON THE SOLDER ZONE OF THE CONTACTS.
 MATING ZONE: PLATING CONFIRMS TO PRODUCT REQUIREMENTS AS PER SPECIFICATION 108-15202.

MATERIAL :

- 2 HOUSING: PBT-GF, BLACK UL 94V0.
 CONTACTS: PHOSPHOR BRONZE.

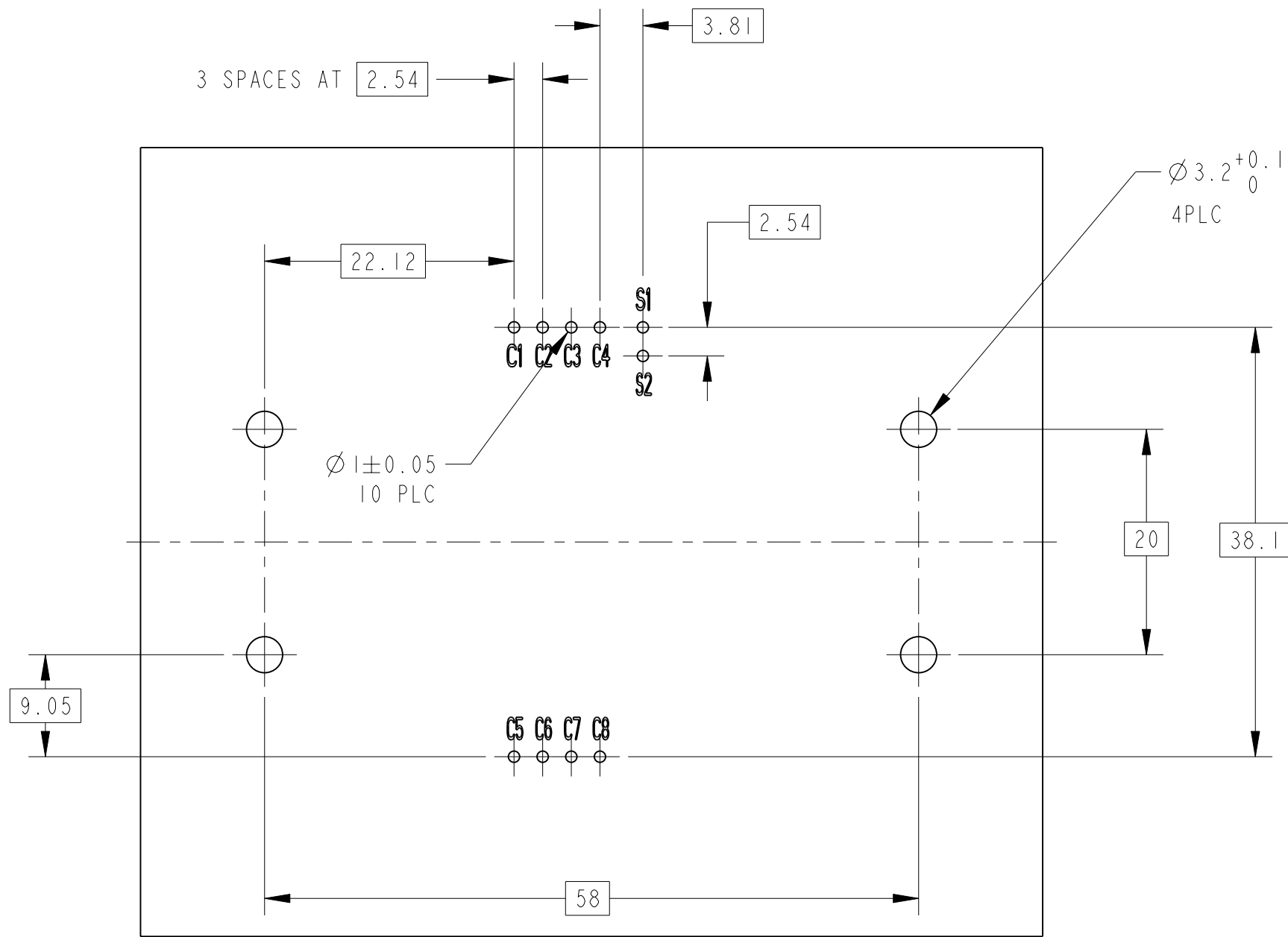
- 3 TE SMART CARD RECEPTACLE DESIGNED TO ACCEPT ISO 7810-7816 TYPE INTEGRATED CIRCUIT SMART CARDS (0.76MM REF. THICKNESS) SEE SHEET 2/2



P/N : 5953501-1

THIS DRAWING IS A CONTROLLED DOCUMENT.		DWN R. Coolen	02-Dec-04	TE Connectivity	
DIMENSIONS: mm		CHK W. Jansen			
TOLERANCES UNLESS OTHERWISE SPECIFIED:		APVD P. Jaeger		NAME SMART CARD CONNECTOR, VARIABLE THICKNESS, THRU HOLE	
0 PLC ±0,3		PRODUCT SPEC	108-15202	SIZE A2	CAGE CODE
1 PLC ±0,3		APPLICATION SPEC		DRAWING NO C-5953501	RESTRICTED TO
2 PLC ±0,3				SCALE 2:1	SHEET 1 OF 2
3 PLC ±				REV BI	
4 PLC ±					
ANGLES ±5					
FINISH					
MATERIAL					

THIS DRAWING IS UNPUBLISHED. RELEASED FOR PUBLICATION
 © COPYRIGHT - ALL RIGHTS RESERVED.



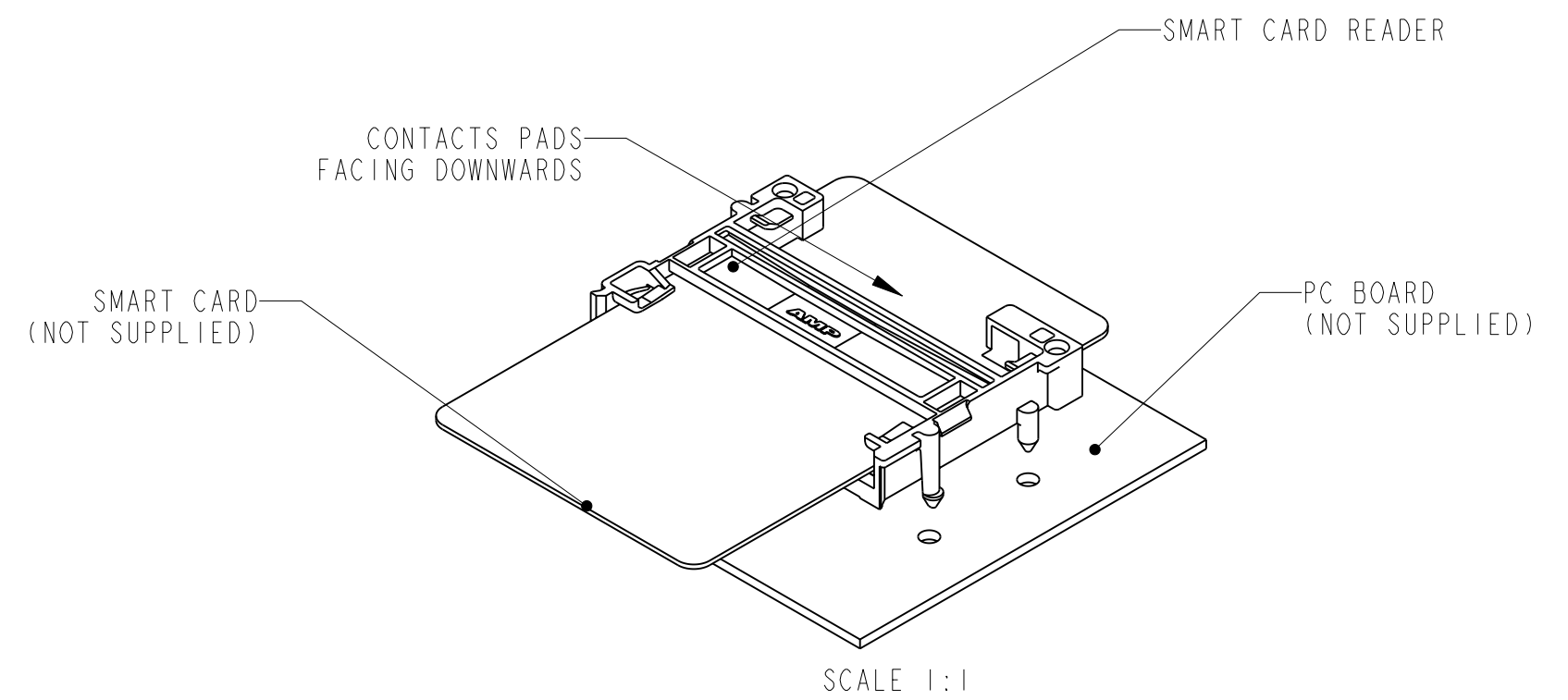
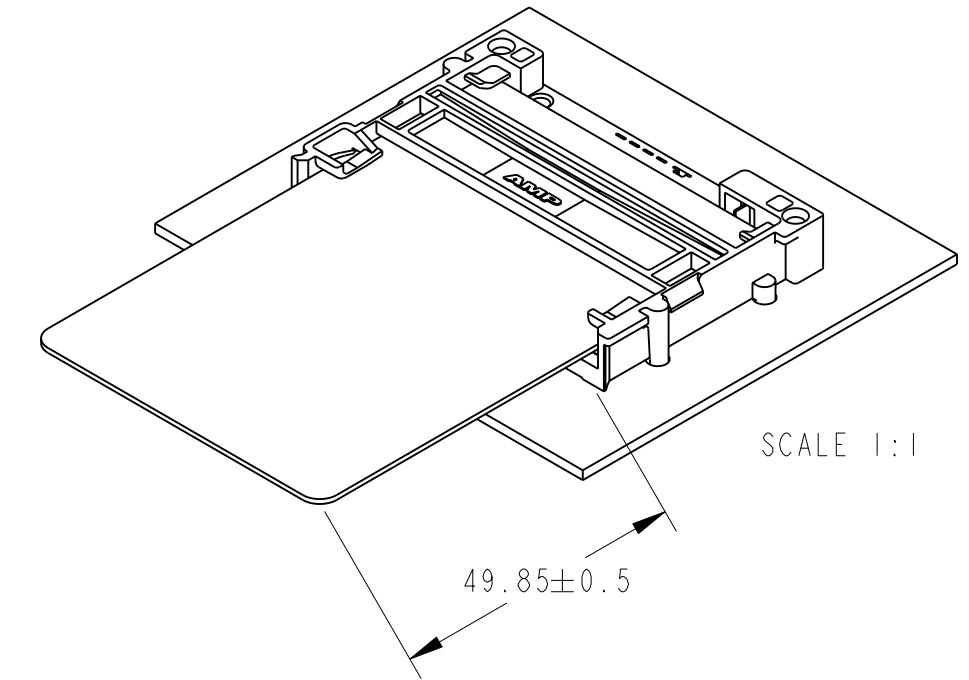
ECHELLE 2:1

(CONNECTOR SIDE)

POSITION TOLERANCE FOR ALL HOLES $\oplus \ominus \varnothing 0.13$

RECOMMENDED PCB LAYOUT
PCB BOARD THICKNESS 1.57 ± 0.1 (.062)

LOC	DIST	REVISIONS			
P	LTR	DESCRIPTION	DATE	DWN	APVD
IR	-	SEE SHEET 1	-	-	-



PCB MOUNTING CONFIGURATION

THIS DRAWING IS A CONTROLLED DOCUMENT.		DWN R. Coolen 02-Dec-04	STE TE Connectivity	
DIMENSIONS: mm		CHK W. Jansen		
TOLERANCES UNLESS OTHERWISE SPECIFIED:		APVD P. Jaeger	SMART CARD CONNECTOR, VARIABLE THICKNESS, THRU HOLE	
0 PLC ±0,3		PRODUCT SPEC	SIZE	RESTRICTED TO
1 PLC ±0,3		APPLICATION SPEC	A2	-
2 PLC ±0,3		WEIGHT	CAGE CODE	DRAWING NO
3 PLC ±		CUSTOMER DRAWING	G-5953501	SCALE 2:1
4 PLC ±		SCALE	SHEET 2 OF 2	REV B1
ANGLES ±5		FINISH		