



Chipsmall Limited consists of a professional team with an average of over 10 year of expertise in the distribution of electronic components. Based in Hongkong, we have already established firm and mutual-benefit business relationships with customers from,Europe,America and south Asia,supplying obsolete and hard-to-find components to meet their specific needs.

With the principle of "Quality Parts,Customers Priority,Honest Operation,and Considerate Service",our business mainly focus on the distribution of electronic components. Line cards we deal with include Microchip,ALPS,ROHM,Xilinx,Pulse,ON,Everlight and Freescale. Main products comprise IC,Modules,Potentiometer,IC Socket,Relay,Connector.Our parts cover such applications as commercial,industrial, and automotives areas.

We are looking forward to setting up business relationship with you and hope to provide you with the best service and solution. Let us make a better world for our industry!



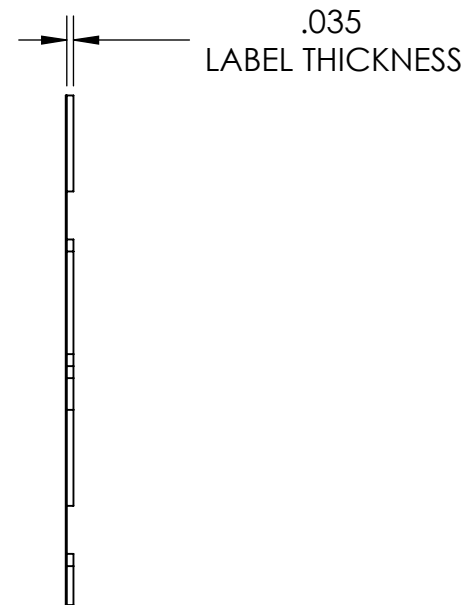
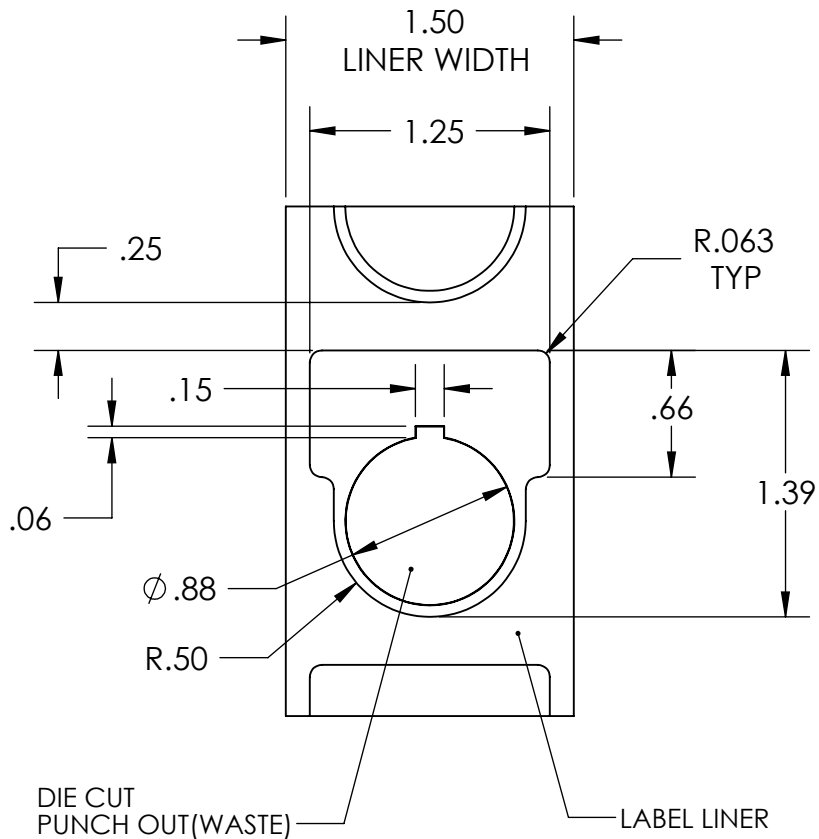
Contact us

Tel: +86-755-8981 8866 Fax: +86-755-8427 6832

Email & Skype: info@chipsmall.com Web: www.chipsmall.com

Address: A1208, Overseas Decoration Building, #122 Zhenhua RD., Futian, Shenzhen, China





250 LABELS PER ROLL
1 ACROSS ON A 3" CORE

PART NUMBER DESCRIPTION

NPLH31X31_22.5

COLOR
(CONTACT FACTORY FOR AVAIL COLORS)

INVENTORS

HellermannTyton

ALL PROPRIETARY RIGHTS IN THE SUBJECT MATTER SHOWN ON THIS DRAWING ARE EXCLUSIVE PROPERTY OF HELLERMANNTYTON

name	date	city, state

REVISION

D level	01
by	AAC
date	05/19/2010
ECN #	011562
part level	-

DIMENSIONS

FOOTER DIMENSIONS	.xxxx = ±.0005
	.xxx = ±.005
	.xx = ±.01
	.x = ±.03
	∠ = ±0.5°
	unless otherwise specified
units	inches

PART

number	NPLH31X31_22.5	phase	Production
name	FOAM BUTTON NAMEPLATE		
material	POLYESTER POLYETHYLENE FOAM BASE		

DRAWING

format	AH	CAD	SW 2009	scale	1:1
computer file name	LA3002095_01	previous drawing number			
drawn	AAC	checked	KAC	approved	
	05/19/2010		05/19/2010		
type	Detail		sheet 1 of 1		
number	LA3002095DTL				