



Chipsmall Limited consists of a professional team with an average of over 10 year of expertise in the distribution of electronic components. Based in Hongkong, we have already established firm and mutual-benefit business relationships with customers from,Europe,America and south Asia,supplying obsolete and hard-to-find components to meet their specific needs.

With the principle of “Quality Parts,Customers Priority,Honest Operation,and Considerate Service”,our business mainly focus on the distribution of electronic components. Line cards we deal with include Microchip,ALPS,ROHM,Xilinx,Pulse,ON,Everlight and Freescale. Main products comprise IC,Modules,Potentiometer,IC Socket,Relay,Connector.Our parts cover such applications as commercial,industrial, and automotives areas.

We are looking forward to setting up business relationship with you and hope to provide you with the best service and solution. Let us make a better world for our industry!



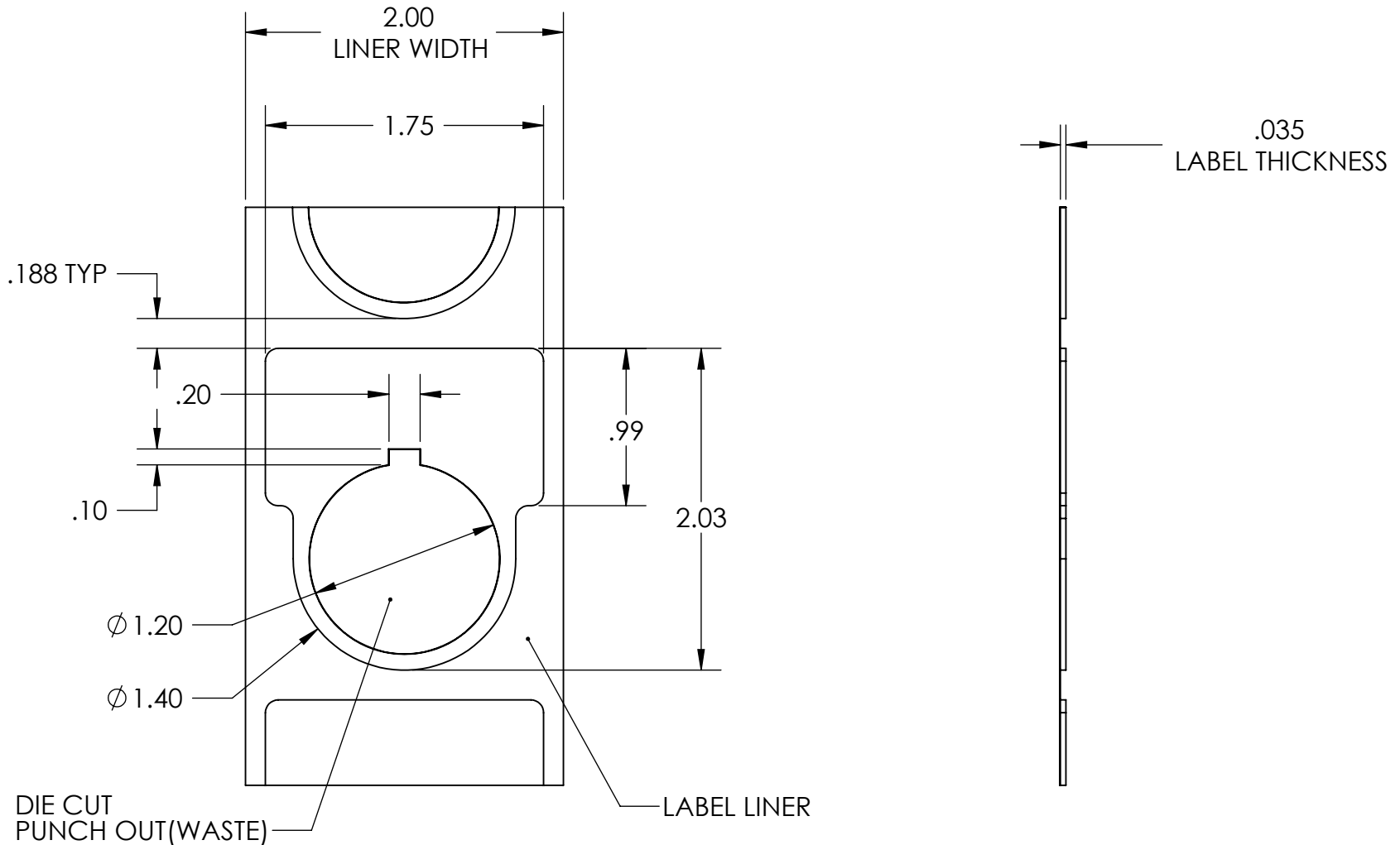
Contact us

Tel: +86-755-8981 8866 Fax: +86-755-8427 6832

Email & Skype: info@chipsmall.com Web: www.chipsmall.com

Address: A1208, Overseas Decoration Building, #122 Zhenhua RD., Futian, Shenzhen, China





PART NUMBER DESCRIPTION

NPLH44X44_30.5

COLOR
(CONTACT FACTORY FOR AVAIL COLORS)

HellermannTyton

ALL PROPRIETARY RIGHTS IN THE SUBJECT MATTER SHOWN ON THIS DRAWING ARE EXCLUSIVE PROPERTY OF HELLERMANNTYTON

name	date	city, state

REVISION	D level	01
	AW by	AAC
	IN date	05/19/2010
	G ECN #	011562
	part level	-

DIMENSIONS	FOOTER DIMENSIONS
	.xxxx = ±.0005
	.xxx = ±.005
	.xx = ±.01
	.x = ±.03
∠ = ±0.5°	
unless otherwise specified	
units	inches

PART	number	NPLH44X44_30.5	phase	Production
	name	FOAM BUTTON NAMEPLATE		
	material	POLYESTER POLYETHYLENE FOAM BASE		

DRAWING	format	AH	CAD	SW 2009	scale	1:1
	version	N				
	computer file name	LA3002094DTL_01		previous drawing number		
	drawn	AAC	checked	KAC	approved	
		05/19/2010		05/19/2010		
	type	Detail		sheet 1 of 1		
number	LA3002094DTL					