



Chipsmall Limited consists of a professional team with an average of over 10 year of expertise in the distribution of electronic components. Based in Hongkong, we have already established firm and mutual-benefit business relationships with customers from,Europe,America and south Asia,supplying obsolete and hard-to-find components to meet their specific needs.

With the principle of “Quality Parts,Customers Priority,Honest Operation,and Considerate Service”,our business mainly focus on the distribution of electronic components. Line cards we deal with include Microchip,ALPS,ROHM,Xilinx,Pulse,ON,Everlight and Freescale. Main products comprise IC,Modules,Potentiometer,IC Socket,Relay,Connector.Our parts cover such applications as commercial,industrial, and automotives areas.

We are looking forward to setting up business relationship with you and hope to provide you with the best service and solution. Let us make a better world for our industry!



Contact us

Tel: +86-755-8981 8866 Fax: +86-755-8427 6832

Email & Skype: info@chipsmall.com Web: www.chipsmall.com

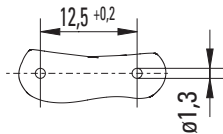
Address: A1208, Overseas Decoration Building, #122 Zhenhua RD., Futian, Shenzhen, China



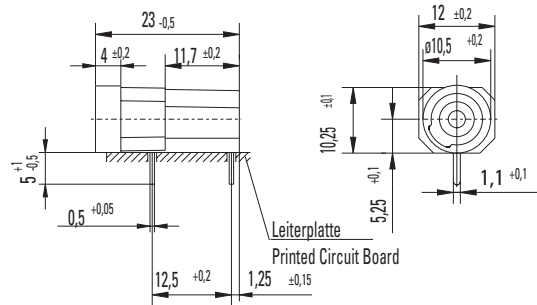
Holder / No. 596

Not for new designs;
please refer to holder no. 830

PC Mount, for 5x20mm Fuses



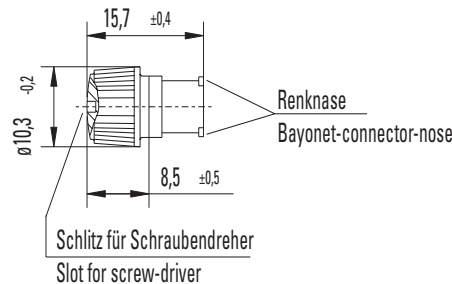
Holes in the Printed Circuit Board



Cap / No. 583



Flush Mount Type



Specifications

Montage

(2) Solder pins 0.5 x 1.1mm

Protection Class & Category

IP 40 (IEC 60529)

Materials

Holder: Duroplastic (Phenoplast PF), black
 Cap: Thermoplastic (Polyamide PA 6.6), UL 94 V-0, black
 Metal Parts: Copper alloy, corrosion protected solderable tinned
 Terminals:

Electrical Data (23 °C)

Rated Voltage: 250 V
 max. Current/Power: 6.3 A / 2.0 W

Operating Temperature

-25 °C to 70 °C (consider de-rating)

Stock Conditions

10 °C to 60 °C

Contact Resistance

≤ 5 mΩ

Dielectric Strength

3 kV, 50Hz, 1 min., dry

Insulation Resistance

> 10 MΩ (500 V DC, 1 min.)

Solderability

235 °C, 3 sec. (Wave)
 350 °C, 1 sec. (Soldering Iron)

Soldering Heat Resistance

260 °C, 5 sec.

Minimum Cross Section

Conduction Path - 0.2mm²

Marking

596, 250 V

Unit weight

2,2 g (596) / 1,7 g (583)

Order Information

Packaging

Bulk (100 St.)

Order Numbers

Holder No. 596 0000 000
 Cap No. 583 0000 000



Note: 1.00 means the number one with two decimal places. 1,000 means the number one thousand.