



Chipsmall Limited consists of a professional team with an average of over 10 year of expertise in the distribution of electronic components. Based in Hongkong, we have already established firm and mutual-benefit business relationships with customers from,Europe,America and south Asia,supplying obsolete and hard-to-find components to meet their specific needs.

With the principle of “Quality Parts,Customers Priority,Honest Operation,and Considerate Service”,our business mainly focus on the distribution of electronic components. Line cards we deal with include Microchip,ALPS,ROHM,Xilinx,Pulse,ON,Everlight and Freescale. Main products comprise IC,Modules,Potentiometer,IC Socket,Relay,Connector.Our parts cover such applications as commercial,industrial, and automotives areas.

We are looking forward to setting up business relationship with you and hope to provide you with the best service and solution. Let us make a better world for our industry!



Contact us

Tel: +86-755-8981 8866 Fax: +86-755-8427 6832

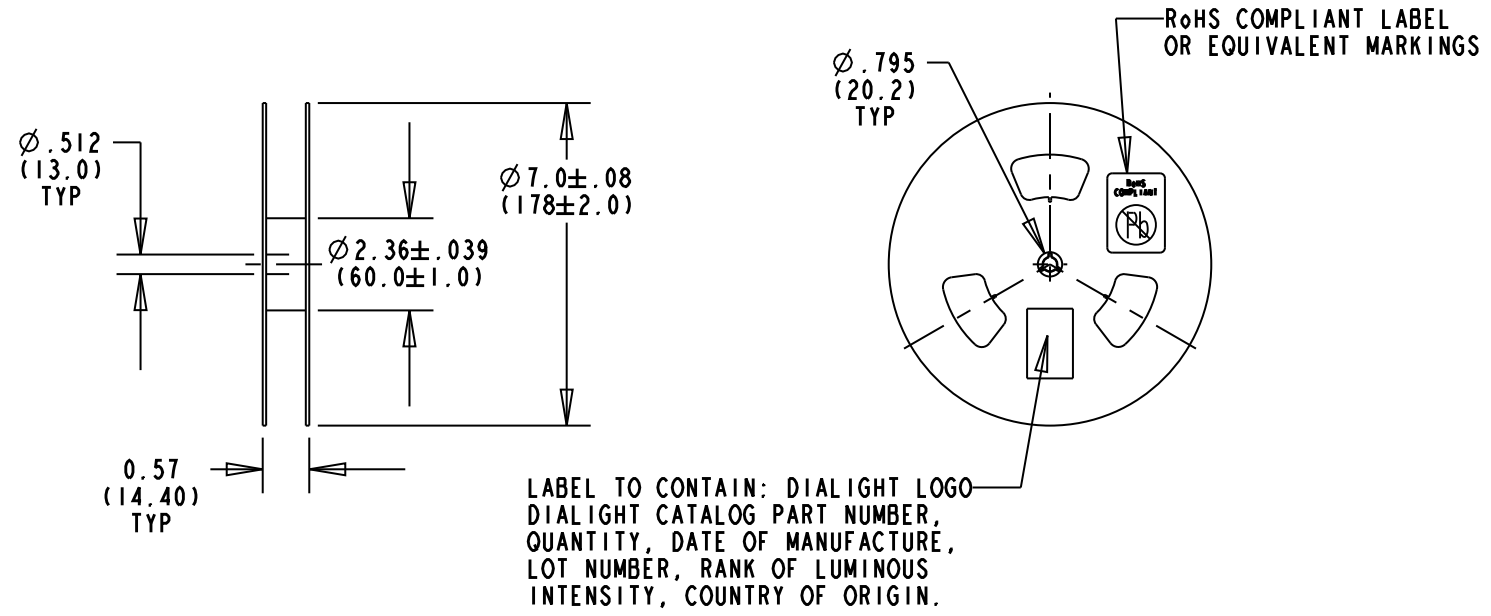
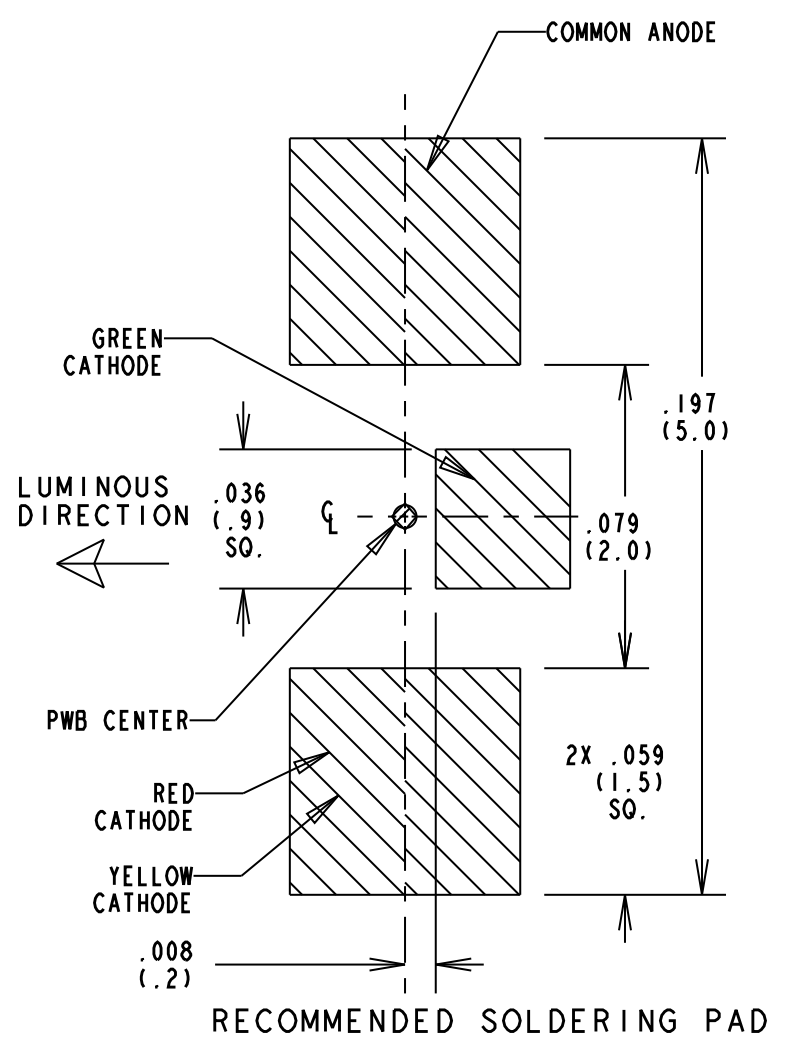
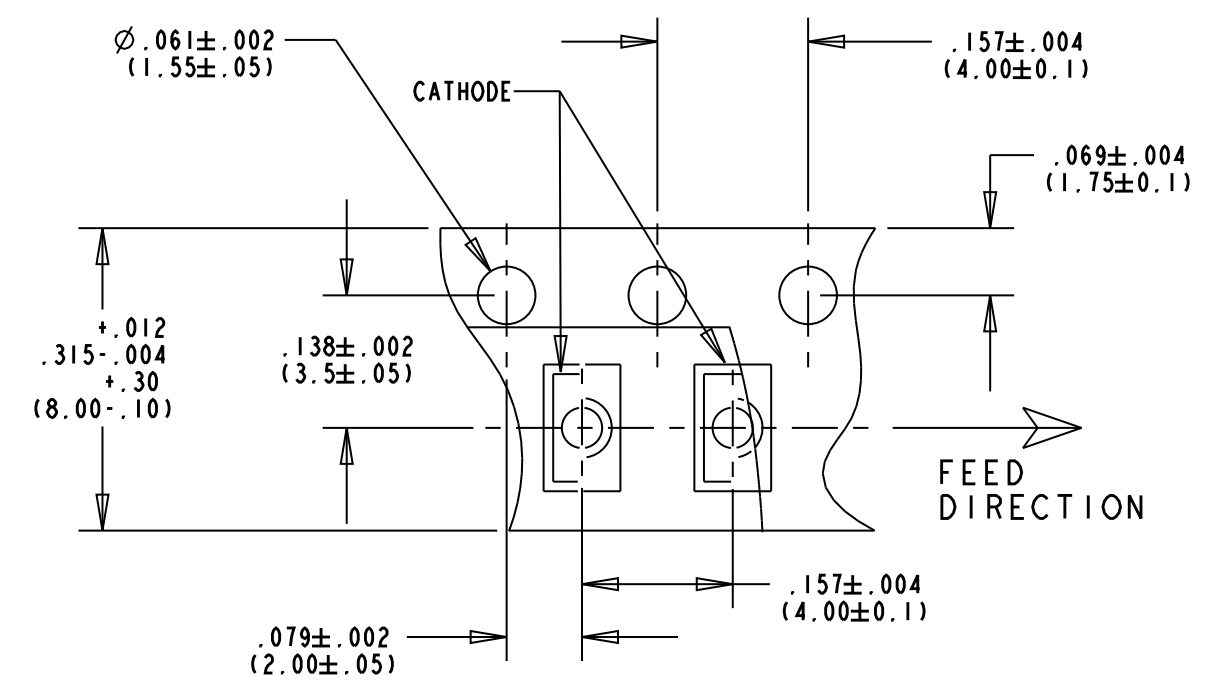
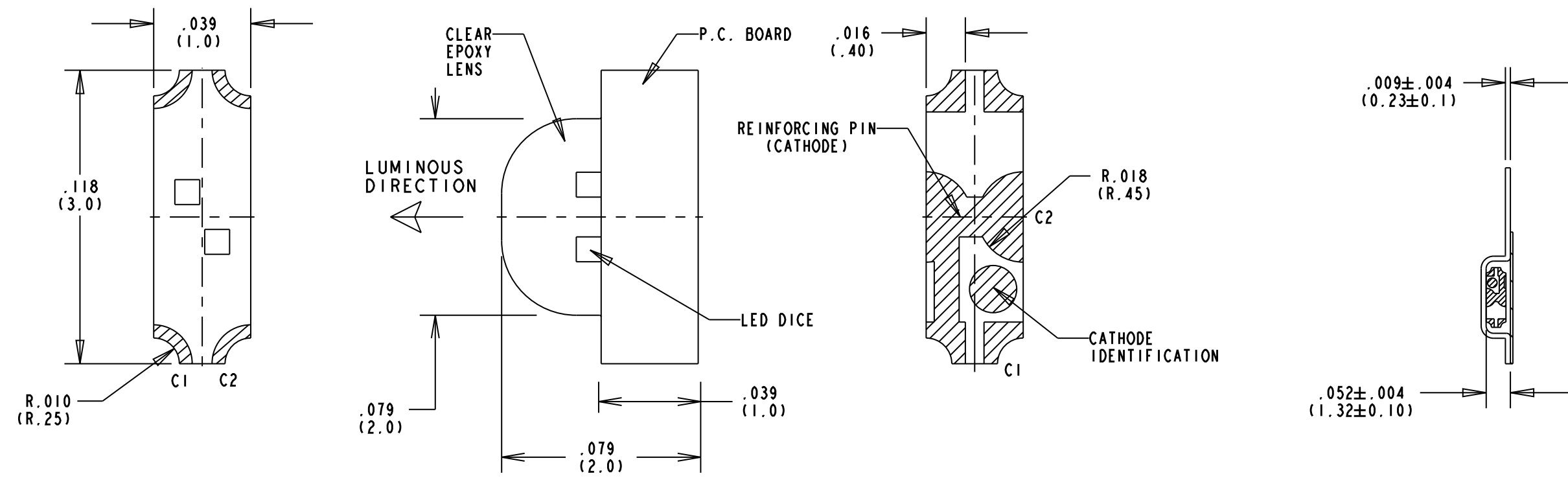
Email & Skype: info@chipsmall.com Web: www.chipsmall.com

Address: A1208, Overseas Decoration Building, #122 Zhenhua RD., Futian, Shenzhen, China



DIALIGHT CATALOG P/N	COLOR WATER CLEAR EPOXY LENS	DOMINANT WAVELENGTH $I_f = 20\text{mA}$ (nm)			PEAK EMISSION WAVELENGTH $I_f = 20\text{mA}$ λ_{PK} (nm)	SPECTRAL LINE HALF WIDTH $\Delta\lambda$ (nm) $I_f = 20\text{mA}$ TYP	LUMINOUS INTENSITY (mcd) @ $I_f = 20\text{mA}$; 25°C			FORWARD VOLTAGE (V) @ $I_f = 20\text{mA}$; 25°C		REVERSE CURRENT (μA); 25°C	VIEWING ANGLE (2θ 1/2) (DEG.)
		MIN.	TYP.	MAX.			MIN.	TYP.	MAX.	TYP.	MAX.	MAX.	TYP.
597-2723-602F	GREEN	567	571	576	574	15	18.0	35.0	112.0	2.0	2.4	10 @ $V_R = 5\text{V}$	130
597-2723-607F	YELLOW	582	589	597	591	15	28.0	75.0	118.0	2.0	2.4	10 @ $V_R = 5\text{V}$	130
597-2751-602F	RED	—	631	—	639	20	18.0	45.0	—	2.0	2.4	10 @ $V_R = 5\text{V}$	130
597-2751-607F	GREEN	567	571	576	574	15	18.0	35.0	112.0	2.0	2.4	10 @ $V_R = 5\text{V}$	130

REV	ECN NO	REVISIONS	DRN	CKD	APP	DATE
A	—	NEW RELEASE	TWC	N.O.	MES	3-21-06
B	—	GRN MIN LUM INT "18.0" WAS "20.0"; YEL MIN LUM INT "28.0" WAS "20.0"; YEL TYP LUM INT "75.0" WAS "30.0"; GRN & YEL MAX REVERSE CURRENT "10" WAS "100"; "WAVE" WAS "INFRARED" IN ABS MAX RATINGS TABLE; RED LINEAR DERATION "0.42" WAS "0.4"; MSL LEVEL IN NOTE 8 WAS "4"; "168" WAS "72" IN NOTE 9; ADDED NOTE 13.	KLJ	NO	MES	5-2-08
C	—	ADDED MIN AND MAX DOMINANT WAVELENGTH; ADDED MAX LUMINOUS INTENSITY.	AJF	KLJ	NO	9-16-09



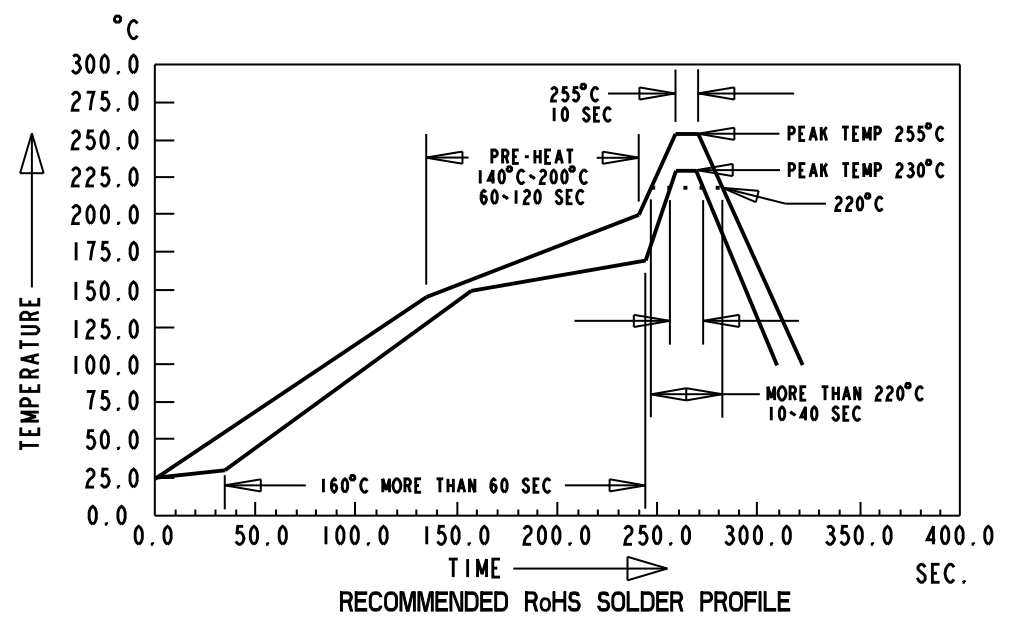
- NOTES:
1. AlInGaP FOR RED, GREEN, YELLOW
 2. EPOXY COLOR: WATER CLEAR.
 3. SOLDER PAD: COPPER BASE, GOLD PLATED.
 4. SOLDER ADHERANCE PER MIL. STD. 202E, METHOD 208C.
 5. PARTS TAPED AND REELED PER ANSI/EIA 481-1-A-1994 SPECS.
 6. PARTS SUPPLIED 3,000 PIECES PER REEL WITH ALL PARTS ON ONE REEL FROM SAME LOT AND SAME BIN CATEGORY.
 7. REEL PACKED IN ANTI-HUMIDITY ALUMINIUM FOIL BAG, HEAT SEALED WITH SILICA GEL. LABEL ON BAG TO CONTAIN SAME INFORMATION AS LABEL ON REEL.
 8. DEVICE HAS A MOISTURE SENSITIVITY LEVEL "3" CAUTION LABEL APPLIED AS PER JEDEC STD. .033.
 9. STORAGE CONDITION: 5 TO 30°C @ 70% RH MAX. BAKING IS REQUIRED IF THE PACK HAS BEEN OPENED FOR 168 HOURS OR MORE. BAKING RECOMMENDED CONDITION: $60\pm 5^\circ\text{C}$ FOR 24 HOURS.
 10. TAPE AND REEL LED'S MAY REQUIRE RE-TAPING AFTER TWELVE MONTHS.
 11. DIALIGHT PART NUMBER: 597-2723-607F, -602F; 597-2751-607F, -602F
 12. THIS ASSEMBLY CONTAINS ELECTROSTATIC DISCHARGE SENSITIVE DEVICES (ESDS). MAINTAIN ALL PRECAUTIONARY MEASURES DURING ASSEMBLY, HANDLING AND STORAGE IN ACCORDANCE WITH IPC-A-610.
 13. -602F SUFFIX DESIGNATES 20 PC SAMPLE STRIP
-607F SUFFIX DESIGNATES 7 INCH REEL

(QUANTITY: 3,000 PCS/REEL)
REEL SPECIFICATION
NO SCALE

ATTENTION:
OBSERVE PRECAUTIONS FOR HANDLING ELECTROSTATIC SENSITIVE DEVICES

RoHS COMPLIANT 597-27XX-602F, -607F
Part Numbers with the "F" suffix ending are RoHS Compliant.
For example: 597-2723-607F
Reel and bag packaging are marked with "RoHS Compliant" label or equivalent markings. These parts can be used with RoHS reflow profile. Parts can be wave soldered, dip soldered or hand soldered using typical lead-free soldering process with max 260°C temp. for 5 sec.

ABSOLUTE MAXIMUM RATINGS AT 25°C .	GREEN	YELLOW	RED	UNITS
POWER DISSIPATION	75	75	75	mW
PEAK FORWARD CURRENT (1/10 DUTY CYCLE, 0.1ms PULSE WIDTH)	80	80	80	mA
DC FORWARD CURRENT	30	30	30	mA
DERATING LINEAR FROM 50°C , RED 25°C	0.4	0.4	0.42	$\text{mA}/^\circ\text{C}$
REVERSE VOLTAGE	5			V
OPERATING TEMPERATURE RANGE	-55 TO +85			$^\circ\text{C}$
STORAGE TEMPERATURE	-55 TO +85			$^\circ\text{C}$
WAVE SOLDERING CONDITION	260 FOR 5 SECONDS			$^\circ\text{C}$



THIS DRAWING AND THE CONTENTS HEREIN ARE CONFIDENTIAL AND THE SOLE PROPERTY OF DIALIGHT. REPRODUCTION OF THIS DRAWING OR CONSTRUCTION OF ANY PARTS WITHIN THIS DRAWING ARE FORBIDDEN WITHOUT THE WRITTEN CONSENT OF DIALIGHT.		
SCALE: 20:1	DRAWING NUMBER	REV
ALL DIM'S IN: INCHES (MM)	C-17385	C
TOLERANCES: UNLESS OTHERWISE SPECIFIED	TITLE RIGHT ANGLE SURFACE MOUNT LED	
FRACTIONS: $\pm 1/64$	RoHS COMPLIANT	
DECIMALS (.XX): $\pm .01$	MATERIAL	
DECIMALS (.XXX): $\pm .005$	Dialight	
DECIMALS (.XXXX): $\pm .0005$	1501 ROUTE 34 SOUTH	
ANGLES: $\pm 1^\circ$	FARMINGDALE, NJ 07727	
FINISH:	FSCM 83330	SHEET 1 OF 1 FAMILY TABLES: