



Chipsmall Limited consists of a professional team with an average of over 10 year of expertise in the distribution of electronic components. Based in Hongkong, we have already established firm and mutual-benefit business relationships with customers from,Europe,America and south Asia,supplying obsolete and hard-to-find components to meet their specific needs.

With the principle of “Quality Parts,Customers Priority,Honest Operation,and Considerate Service”,our business mainly focus on the distribution of electronic components. Line cards we deal with include Microchip,ALPS,ROHM,Xilinx,Pulse,ON,Everlight and Freescale. Main products comprise IC,Modules,Potentiometer,IC Socket,Relay,Connector.Our parts cover such applications as commercial,industrial, and automotives areas.

We are looking forward to setting up business relationship with you and hope to provide you with the best service and solution. Let us make a better world for our industry!



## Contact us

Tel: +86-755-8981 8866 Fax: +86-755-8427 6832

Email & Skype: info@chipsmall.com Web: www.chipsmall.com

Address: A1208, Overseas Decoration Building, #122 Zhenhua RD., Futian, Shenzhen, China

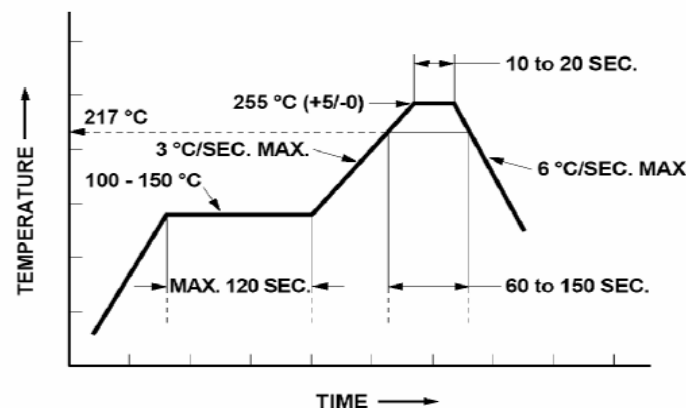


OPERATING CHARACTERISTICS AT 25° C AMBIENT

REV.	ECN NO.	REVISIONS	DRN.	CKD.	APP.	DATE
A		NEW RELEASE	TC			

LUMINOUS COLOR	FORWARD VOLTAGE (V) @ I <sub>F</sub> = 20 mA		LUMINOUS INTENSITY (mcd) @ I <sub>F</sub> = 20 mA			PEAK WAVELENGTH (nm)	DOMINANT WAVELENGTH (nm)	VIEWING ANGLE (DEGREES)	LUMINOUS EFFICACY (lm/w)	LUMINOUS INTENSITY / TOTAL FLUX I <sub>v</sub> (mcd) / Φ <sub>v</sub> (lm)
	TYP.	MAX.	MIN.	TYP.	MAX.	TYP.	TYP.	TYP.	TYP.	TYP.
RED	2.2	2.6	112.50	140.00		639	630	120	155	0.45

ABSOLUTE MAXIMUM RATINGS AT 25° C AMBIENT	RED	UNITS
POWER DISSIPATION	72	mW
PEAK FORWARD CURRENT (DUTY FACTOR = 10%, FREQUENCY = 1 kHz)	100	mA
DC FORWARD CURRENT	30	mA
DERATE LINEARLY FROM 40°C	0.42	mA / °C
REVERSE VOLTAGE	5	V
JUNCTION TEMPERATURE	+110	°C
STORAGE TEMPERATURE	-55 TO +100	°C
OPERATING TEMPERATURE	-55 TO +100	°C
I.R. REFLOW SOLDERING TEMPERATURE, 20 SEC. MAX.	240	°C



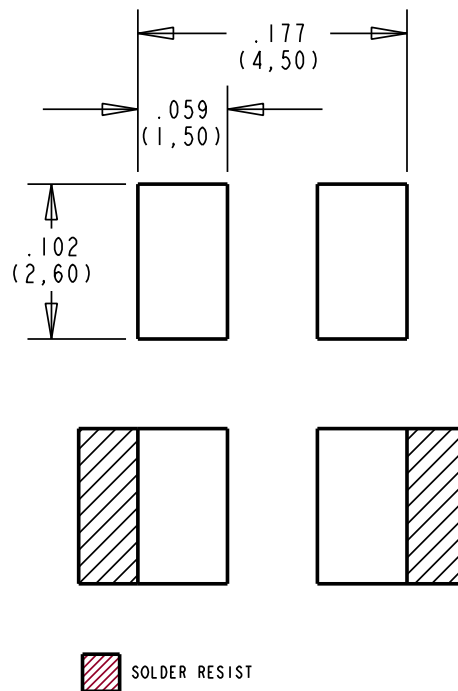
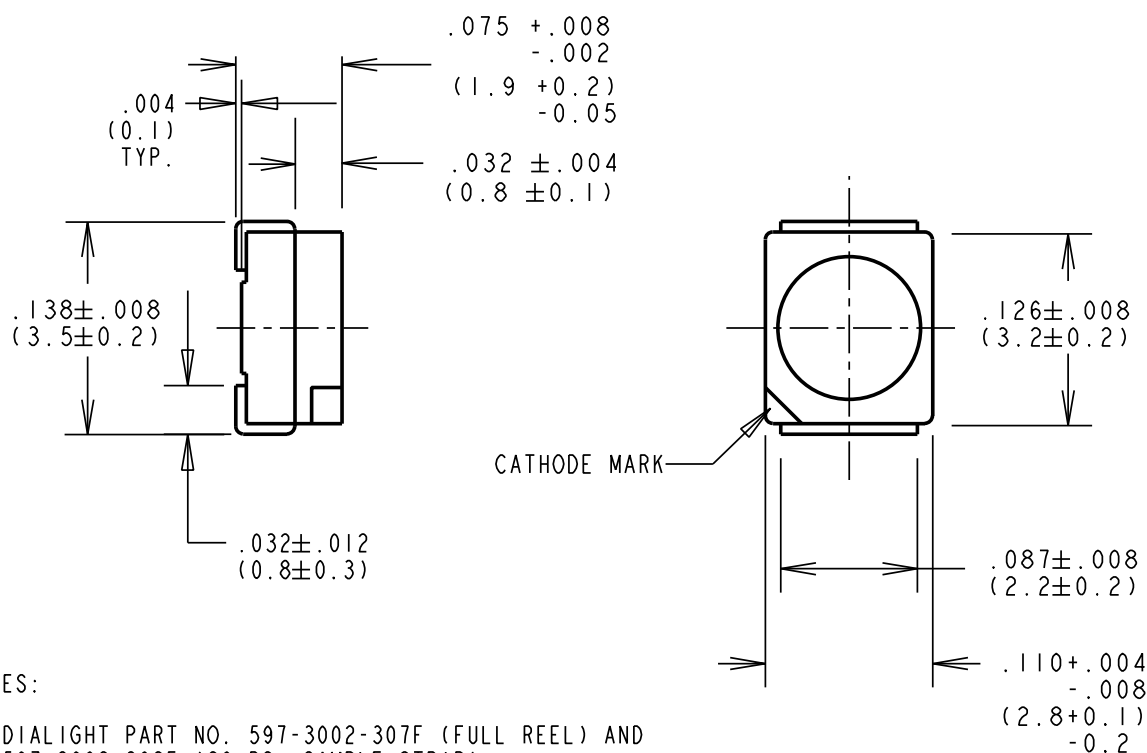
RoHS COMPLIANT REFLOW SOLDERING PROFILE

**Dialight** 1501 ROUTE 34 SOUTH FARMINGDALE, N.J. 07727

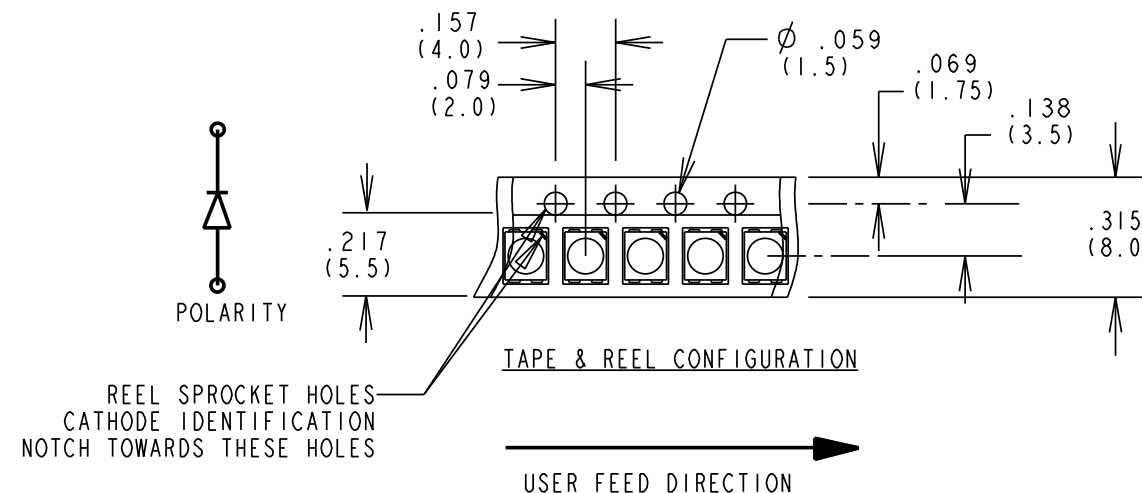
CATALOG P/N 597-3002-307F  
LED P/N 4500-521-9908-00

DATE CODE/LOT # \_\_\_\_\_  
INTENSITY BIN/COLOR CODE \_\_\_\_\_  
QTY/REEL \_\_\_\_\_  
COUNTRY OF ORIGIN \_\_\_\_\_

FIGURE (1)



RECOMMENDED SOLDERING PAD PATTERN



**RoHS Compliant 597-3002-30XF**

Part Numbers with the "F" suffix ending are RoHS Compliant.  
Example: 597-3002-302F  
Packaging is marked with "RoHS Compliant" label or equivalent markings.  
Parts can be wave soldered, dip soldered or hand soldered using typical lead-free soldering process with max 260°C temp. for 5 sec.

- NOTES:
- DIALIGHT PART NO. 597-3002-307F (FULL REEL) AND 597-3002-302F (20 PC. SAMPLE STRIP).
  - DIE: TS AlInGaP RED
  - SOLDER ADHERANCE: EACH PAD PER MIL-STD-202E, METHOD 208C. TERMINAL FINISH PURE TIN(Sn) OVER COPPER ALLOY(Cu).
  - TAPE AND REEL AS PER EIA STANDARD 481-1, WITH CATHODE TOWARD SPROCKET.
  - PACKAGE ON 180 mm DIA REEL, 8 mm TAPE, 2000/REEL. PACKAGING TO INCLUDE: DIALIGHT LABEL (SEE FIGURE 1) WITH CATALOG P/N, LED P/N OPTIONAL, DATE CODE/LOT NO., LUMINOUS INTENSITY RANK AND COLOR BIN CLASSIFICATION, QTY / REEL, AND COUNTRY OF ORIGIN. LABEL BOTH REEL AND SEALED ALUMINUM VAPOR BARRIER BAG WITH DESICCANT INSIDE. PARTS POSITIONED WITH 4 mm PITCH ON REELS.
  - ALUMINUM MOISTURE BARRIER BAG TO HAVE A MOISTURE SENSITIVITY LEVEL "2a" LABEL APPLIED AS PER JEDEC STD. 033
  - TAPE AND REEL LEDS MAY REQUIRE RE-TAPING AFTER TWELVE MONTHS.



**ATTENTION:**  
OBSERVE PRECAUTIONS FOR  
HANDLING ELECTROSTATIC  
SENSITIVE DEVICES

THIS DRAWING AND THE CONTENTS HEREIN ARE CONFIDENTIAL AND THE SOLE PROPERTY OF DIALIGHT. REPRODUCTION OF THIS DRAWING OR CONSTRUCTION OF ANY PARTS WITHIN THIS DRAWING ARE FORBIDDEN WITHOUT THE WRITTEN CONSENT OF DIALIGHT.		
SCALE: NONE	DRAWING NUMBER	REV
ALL DIM'S IN: INCHES (MM)	C-17507	A
TOLERANCES: UNLESS OTHERWISE SPECIFIED	TITLE RED PLCC-2 SMT LED ROHS COMPLIANT	
FRACTIONS: ±1/64	MATERIAL	
DECIMALS (.XX): ±.01	Dialight 1501 ROUTE 34 SOUTH FARMINGDALE, NJ 07727	
DECIMALS (.XXX): ±.005	SHEET OF FAMILY TABLE:	
DECIMALS (.XXXX): ±.0005	FINISH:	
ANGLES: ±1°	FSCM 83330	