



Chipsmall Limited consists of a professional team with an average of over 10 year of expertise in the distribution of electronic components. Based in Hongkong, we have already established firm and mutual-benefit business relationships with customers from,Europe,America and south Asia,supplying obsolete and hard-to-find components to meet their specific needs.

With the principle of "Quality Parts,Customers Priority,Honest Operation,and Considerate Service",our business mainly focus on the distribution of electronic components. Line cards we deal with include Microchip,ALPS,ROHM,Xilinx,Pulse,ON,Everlight and Freescale. Main products comprise IC,Modules,Potentiometer,IC Socket,Relay,Connector.Our parts cover such applications as commercial,industrial, and automotives areas.

We are looking forward to setting up business relationship with you and hope to provide you with the best service and solution. Let us make a better world for our industry!



Contact us

Tel: +86-755-8981 8866 Fax: +86-755-8427 6832

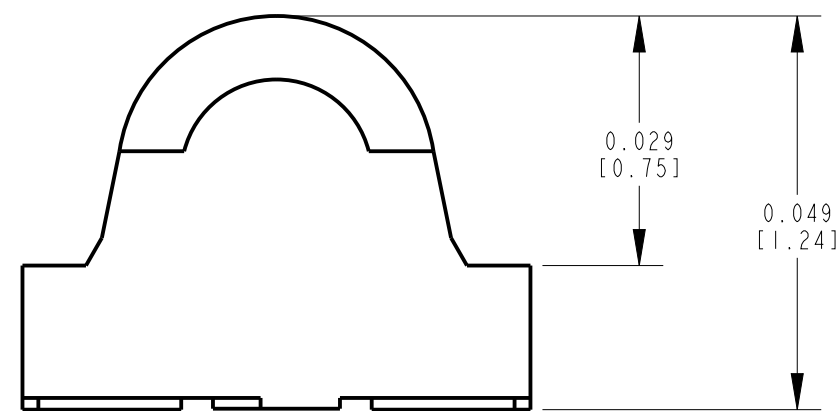
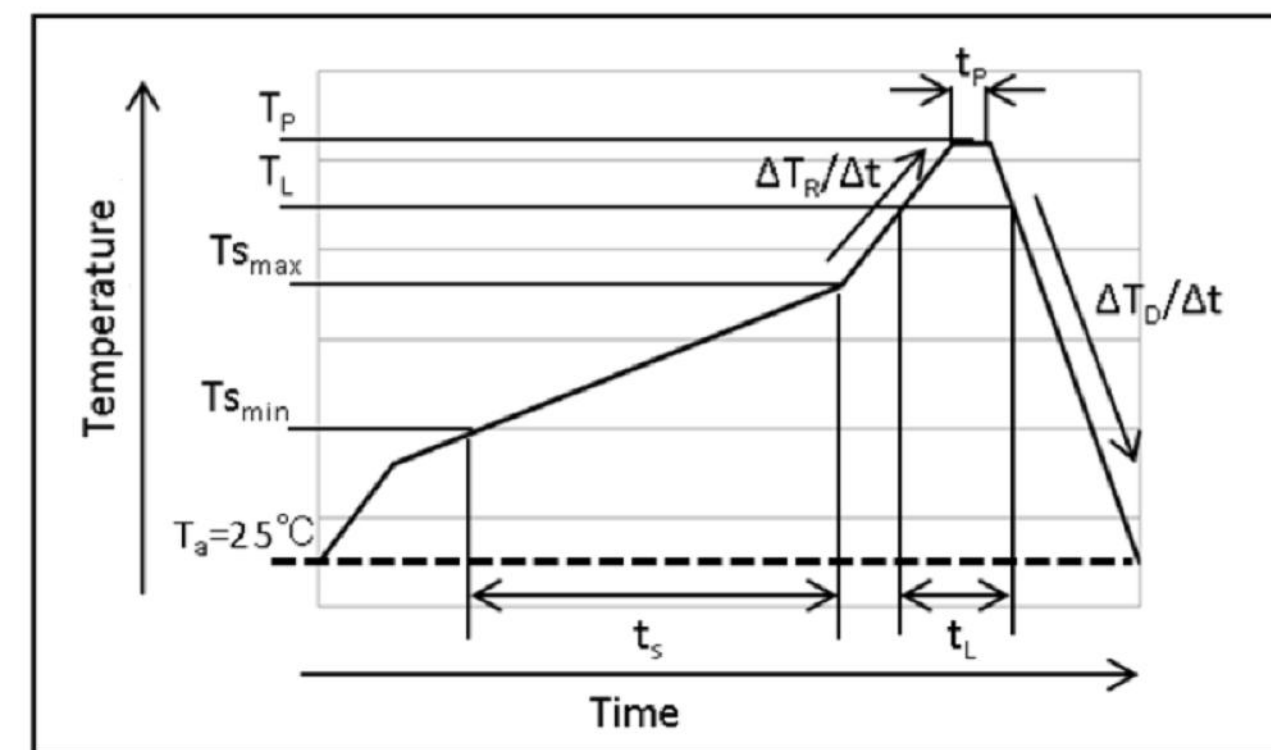
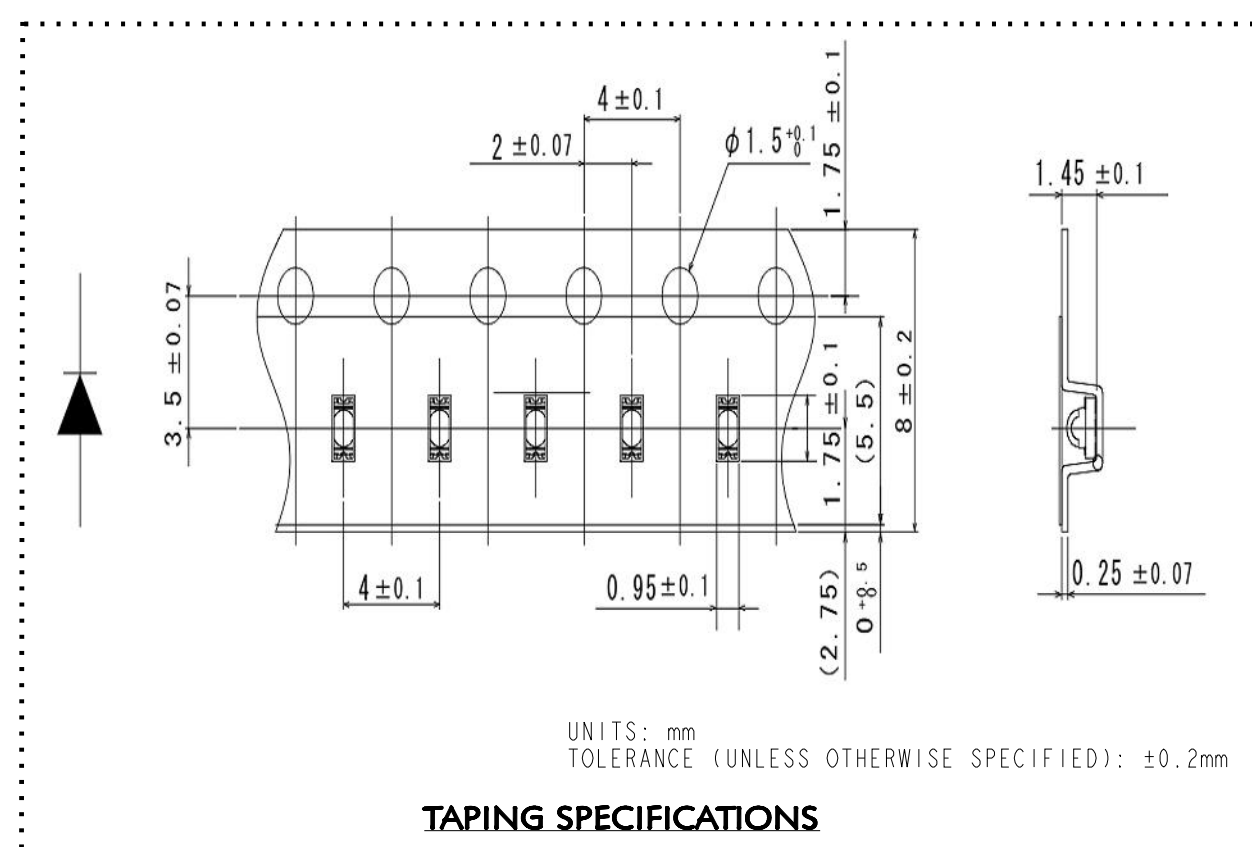
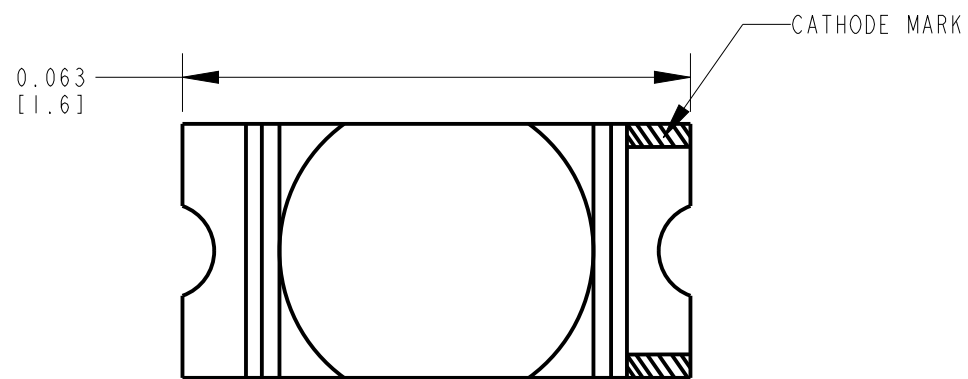
Email & Skype: info@chipsmall.com Web: www.chipsmall.com

Address: A1208, Overseas Decoration Building, #122 Zhenhua RD., Futian, Shenzhen, China

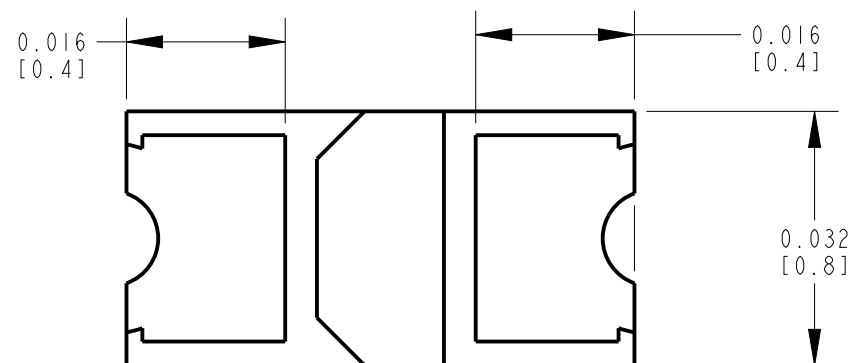


| PART NUMBER | LED COLOR |
|---------------------|----------------|
| 597-3006-502F, 507F | RED (630nm) |
| 597-3036-502F, 507F | RED (620nm) |
| 597-3206-502F, 507F | ORANGE |
| 597-3408-502F, 507F | YELLOW (590nm) |
| 597-3409-502F, 507F | YELLOW (587nm) |
| 597-3506-502F, 507F | YELLOW-GREEN |
| 597-3316-502F, 507F | GREEN (560nm) |

| REV | ECN NO | REVISIONS | DRN | CKD | APP | DATE |
|-----|--------|-------------|-----|-----|-----|--------|
| A | — | NEW RELEASE | BP | — | NO | 4-2-18 |



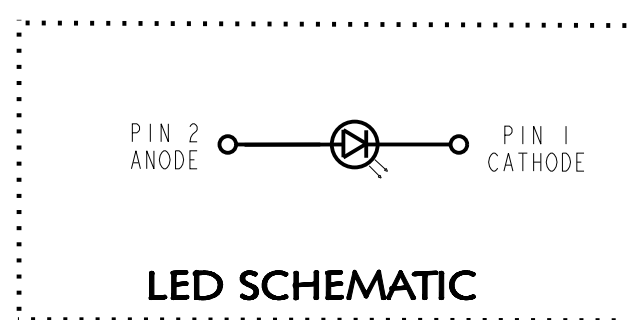
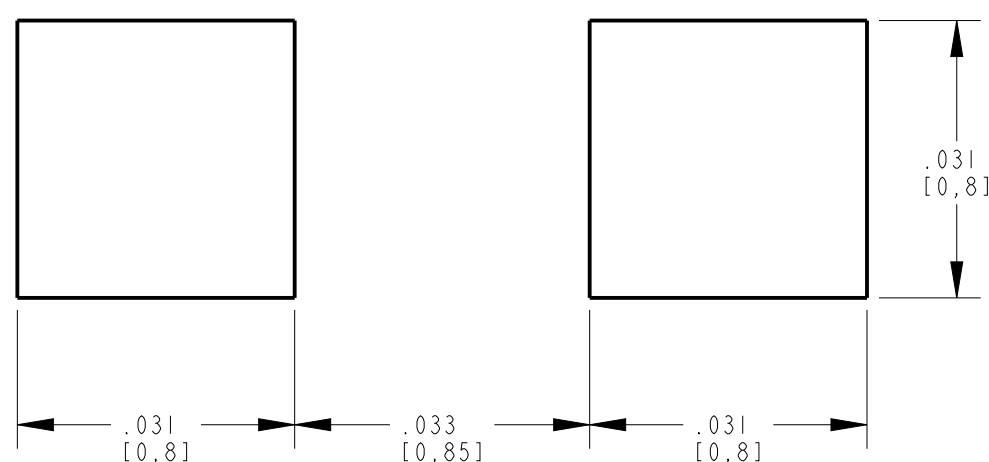
| ABSOLUTE MAXIMUM RATINGS AT 25°C | | | | | | |
|----------------------------------|------------------------|----------------------|---------------------------|---------------------|----------------------------|--------------------------|
| LED COLOR | POWER DISSIPATION (mW) | FORWARD CURRENT (mA) | PEAK FORWARD CURRENT (mA) | REVERSE VOLTAGE (V) | OPERATING TEMPERATURE (°C) | STORAGE TEMPERATURE (°C) |
| RED (630nm) | 50 | 20 | 100 | 12 | -40 TO +100 | -40 TO +100 |
| RED (620nm) | | | | | | |
| ORANGE | | | | | | |
| YELLOW (590nm) | | | | | | |
| YELLOW (587nm) | | | | | | |
| YELLOW-GREEN | | | | | | |
| GREEN | | | | | | |



| OPERATING CHARACTERISTICS AT 25°C | | | | | | | | | |
|-----------------------------------|---------|--------------------------|------|------|--------------------------|------|-------------|-----------------------|------------------------|
| LED COLOR | IF (mA) | LUMINOUS INTENSITY (mcd) | | | DOMINANT WAVELENGTH (nm) | | | REVERSE CURRENT (MAX) | FORWARD VOLTAGE (TYP.) |
| | | MIN. | TYP. | MAX. | MIN. | TYP. | MAX. | | |
| RED (630nm) | 20 | — | 174 | — | 630 | — | 10 @ VR=12V | 2 @ IF=20mA | |
| RED (620nm) | | — | 185 | — | 620 | — | | | |
| ORANGE | | — | 405 | — | 605 | — | | | |
| YELLOW (590nm) | | — | 320 | — | 590 | — | | | |
| YELLOW (587nm) | | — | 290 | — | 587 | — | | | |
| YLW GREEN | | — | 140 | — | 571 | — | | | |
| GREEN | — | 34 | — | 560 | — | | | | |

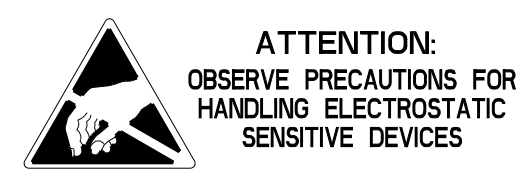
| MARK | MEANING | CONDITIONS |
|--------|------------------------------|----------------|
| Ts_max | MAXIMUM OF PRE-HEATING TEMP. | 180 °C |
| Ts_min | MINIMUM OF PRE-HEATING TEMP. | 140 °C |
| ts | TIME FROM Tsmin TO Tsmax | OVER 60 sec. |
| TL | REFERENCE TEMP | 230-260 °C |
| tL | RETENTION TIME FOR TL | WITHIN 40 sec. |
| TP | PEAK TEMP | 260 °C (MAX) |
| tP | TIME FOR PEAK TEMP | WITHIN 10 sec. |
| ΔTR/Δt | TEMP. RISING RATE | UNDER 3°C/sec. |
| ΔTD/Δt | TEMP. DECREASING RATE | OVER -3°C/sec. |

RECOMMENDED RoHS SOLDER PROFILE



- NOTES:**
- DIALIGHT P/N: 597-3XXX-50XF
SUFFIX -502F FOR 20 PCS ON A SAMPLE TAPE STRIP
SUFFIX -507F FOR 7" DIAMETER REEL, PACKAGED 2000 PCS PER REEL.
 - LABELING FOR REEL AND OUTSIDE OF ALUMINUM FOIL BAG:
DIALIGHT P/N, QUANTITY PER REEL, DATE CODE, INTENSITY BIN CODE, LOT NUMBER AND COUNTRY OF ORIGIN.
 - TAPE AND REEL LEDS MAY REQUIRE RE-TAPING AFTER TWELVE MONTHS.
 - ESD WITHSTAND VOLTAGE UP TO 6KV MAX ACC. TO JS-001-2014
 - MSL 3

RECOMMENDED SOLDER PAD LAYOUT



THIS DRAWING AND THE CONTENTS HEREIN ARE CONFIDENTIAL AND THE SOLE PROPERTY OF DIALIGHT CORP. REPRODUCTION OF THIS DRAWING OR CONSTRUCTION OF ANY PARTS WITHIN THIS DRAWING ARE FORBIDDEN WITHOUT THE WRITTEN CONSENT OF DIALIGHT CORP.

DIALIGHT CORP. INTERNAL REFERENCE ONLY = 3D MODEL: 597506507F-0

| | | |
|--|---------------------|--|
| SCALE: 25.000 | DRAWING NUMBER | REV |
| ALL DIM'S IN: INCHES (MM) | C-18371 | A |
| TOLERANCES: UNLESS OTHERWISE SPECIFIED | TITLE | |
| FRACTIONS: ±1/64 | SM LED 0603 PACKAGE | |
| DECIMALS (.XX): ±.01 | MATERIAL | |
| DECIMALS (.XXX): ±.005 | | |
| DECIMALS (.XXXX): ±.0005 | | |
| ANGLES: ±1° | | |
| FINISH | Dialight | 1501 ROUTE 34 SOUTH FARMINGDALE, NJ 07727 (732) 919-3119 www.dialight.com |
| FSCM 83330 | SHEET 1 OF 1 | FAMILY TABLE: |