



Chipsmall Limited consists of a professional team with an average of over 10 year of expertise in the distribution of electronic components. Based in Hongkong, we have already established firm and mutual-benefit business relationships with customers from,Europe,America and south Asia,supplying obsolete and hard-to-find components to meet their specific needs.

With the principle of “Quality Parts,Customers Priority,Honest Operation,and Considerate Service”,our business mainly focus on the distribution of electronic components. Line cards we deal with include Microchip,ALPS,ROHM,Xilinx,Pulse,ON,Everlight and Freescale. Main products comprise IC,Modules,Potentiometer,IC Socket,Relay,Connector.Our parts cover such applications as commercial,industrial, and automotives areas.

We are looking forward to setting up business relationship with you and hope to provide you with the best service and solution. Let us make a better world for our industry!



## Contact us

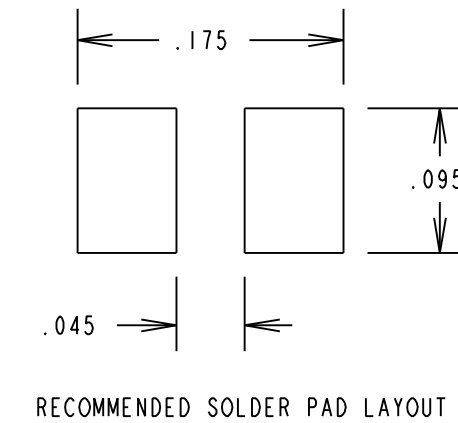
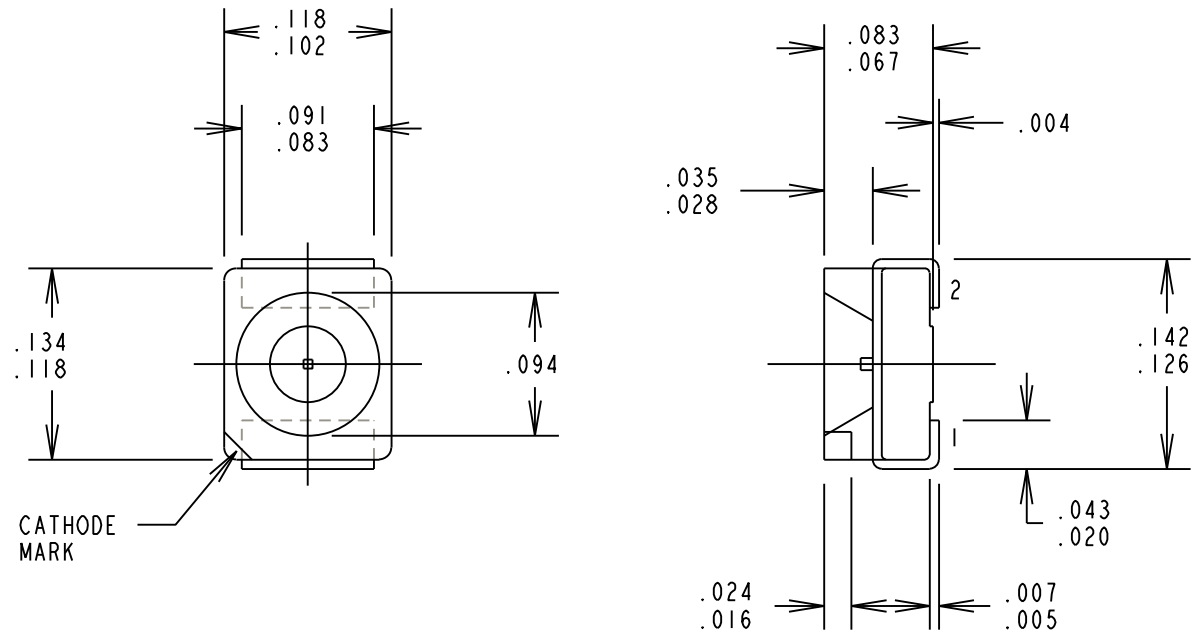
Tel: +86-755-8981 8866 Fax: +86-755-8427 6832

Email & Skype: info@chipsmall.com Web: www.chipsmall.com

Address: A1208, Overseas Decoration Building, #122 Zhenhua RD., Futian, Shenzhen, China

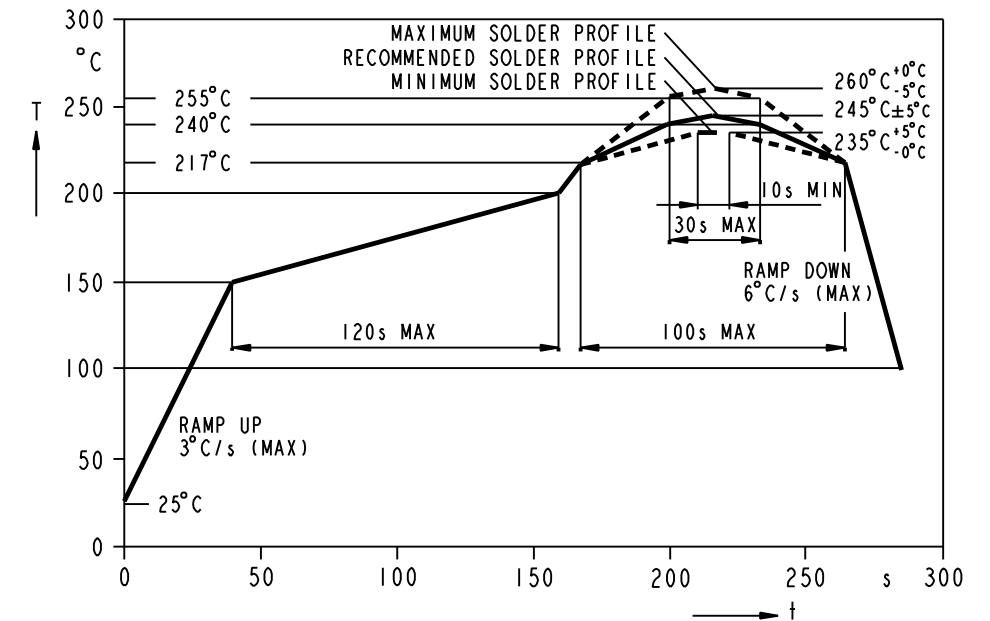


REV	ECN NO	REVISIONS	DRN	CKD	APP	DATE
A	—	NEW RELEASE	KLJ	MES	N.O.	6-9-09



### RoHS COMPLIANT 597-3121-20XF

Part Numbers with the "F" suffix ending are RoHS Compliant. For example: 597-3121-202F  
 Reel and bag packaging are marked with "RoHS Compliant" label or equivalent markings. These parts can be used with RoHS reflow profile. Parts can be wave soldered, dip soldered or hand soldered using typical lead-free soldering process with max 260°C temp. for 5 sec.



RECOMMENDED RoHS COMPLIANT REFLOW PROFILE

#### OPERATING CHARACTERISTICS AT 25°C AMBIENT

LED CHARACTERISTICS	MIN.	TYP.	MAX.	UNITS	TEST CONDITIONS
LUMINOUS INTENSITY	22.4	35.5	56	mc d	$I_F = 10 \text{ mA}$
FORWARD VOLTAGE		1.75	2.5	VOLTS	$I_F = 10 \text{ mA}$
REVERSE CURRENT		0.01	10	$\mu\text{A}$	$V_R = 12\text{V}$
PEAK WAVELENGTH		660		nm	$I_F = 10 \text{ mA}$
DOMINANT WAVELENGTH	633	645	655	nm	$I_F = 10 \text{ mA}$
2 X HALF-INTENSITY ANGLE		120		DEGREES	$I_F = 10 \text{ mA}$

#### ABSOLUTE MAXIMUM RATINGS AT 25°C AMBIENT

POWER DISSIPATION	90 mW
DERATE LINEARLY FROM 60°C	.75 mA/°C
CONTINUOUS FORWARD CURRENT	30 mA
PEAK PULSE CURRENT, 10 $\mu\text{s}$ PULSE	0.5 A
REVERSE VOLTAGE	12 V
SOLDERING PROFILE: SEE REFLOW PROFILE FOR LEAD FREE SOLDERING	
OPERATING TEMPERATURE	-40°C TO +100°C
STORAGE TEMPERATURE	-40°C TO +100°C

#### NOTES:

- EPOXY COLOR: WATER CLEAR
- DIE: AlGaAs
- PIN NUMBERS FOR REFERENCE ONLY. DESIGNATION NON-EXISTENT ON PART.
- SUFFIX -202F FOR 20 pcs ON A SAMPLE STRIP.
- SUFFIX -207F FOR  $\varnothing 180\text{mm}$  REEL, 8mm WIDE TAPE, PACKAGED 2000 pcs PER REEL WITH A PITCH OF 4mm.
- DEVICES POSITIONED ON REEL WITH CATHODE SIDE TOWARDS SPROCKET.
- TAPE AND REEL LEDS MAY REQUIRE RE-TAPING AFTER TWELVE MONTHS.
- DIALIGHT PART NUMBERS: 597-3121-202F, 597-3121-207F
- THIS ASSEMBLY CONTAINS ELECTROSTATIC DISCHARGE SENSITIVE DEVICES (ESDS). MAINTAIN ALL PRECAUTIONARY MEASURES DURING ASSEMBLY, HANDLING, AND STORAGE IN ACCORDANCE WITH IPC-A-610.



**ATTENTION:**  
 OBSERVE PRECAUTIONS FOR  
 HANDLING ELECTROSTATIC  
 SENSITIVE DEVICES

THIS DRAWING AND THE CONTENTS HEREIN ARE CONFIDENTIAL AND THE SOLE PROPERTY OF DIALIGHT. REPRODUCTION OF THIS DRAWING OR CONSTRUCTION OF ANY PARTS WITHIN THIS DRAWING ARE FORBIDDEN WITHOUT THE WRITTEN CONSENT OF DIALIGHT.

SCALE: DRAWING SCALE ALL DIM'S IN: INCHES $\pm 0.004$	DRAWING NUMBER C-17644	REV A
TOLERANCES: UNLESS OTHERWISE SPECIFIED FRACTIONS: $\pm 1/64$ DECIMALS (.XX): $\pm .02$ DECIMALS (.XXX): $\pm .015$	TITLE SURFACE MOUNT H.E. RED LED RoHS COMPLIANT	MATERIAL
ANGLES: $\pm 1^\circ$ FINISH:	<b>Dialight</b> 1501 ROUTE 34 SOUTH FARMINGDALE, NJ 07727	
FSCM 83330	SHEET 1 OF 1	FAMILY TABLE: