



Chipsmall Limited consists of a professional team with an average of over 10 year of expertise in the distribution of electronic components. Based in Hongkong, we have already established firm and mutual-benefit business relationships with customers from,Europe,America and south Asia,supplying obsolete and hard-to-find components to meet their specific needs.

With the principle of “Quality Parts,Customers Priority,Honest Operation,and Considerate Service”,our business mainly focus on the distribution of electronic components. Line cards we deal with include Microchip,ALPS,ROHM,Xilinx,Pulse,ON,Everlight and Freescale. Main products comprise IC,Modules,Potentiometer,IC Socket,Relay,Connector.Our parts cover such applications as commercial,industrial, and automotives areas.

We are looking forward to setting up business relationship with you and hope to provide you with the best service and solution. Let us make a better world for our industry!



Contact us

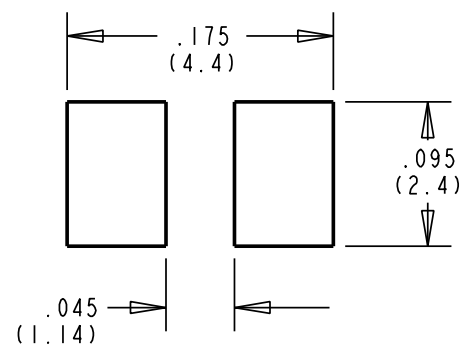
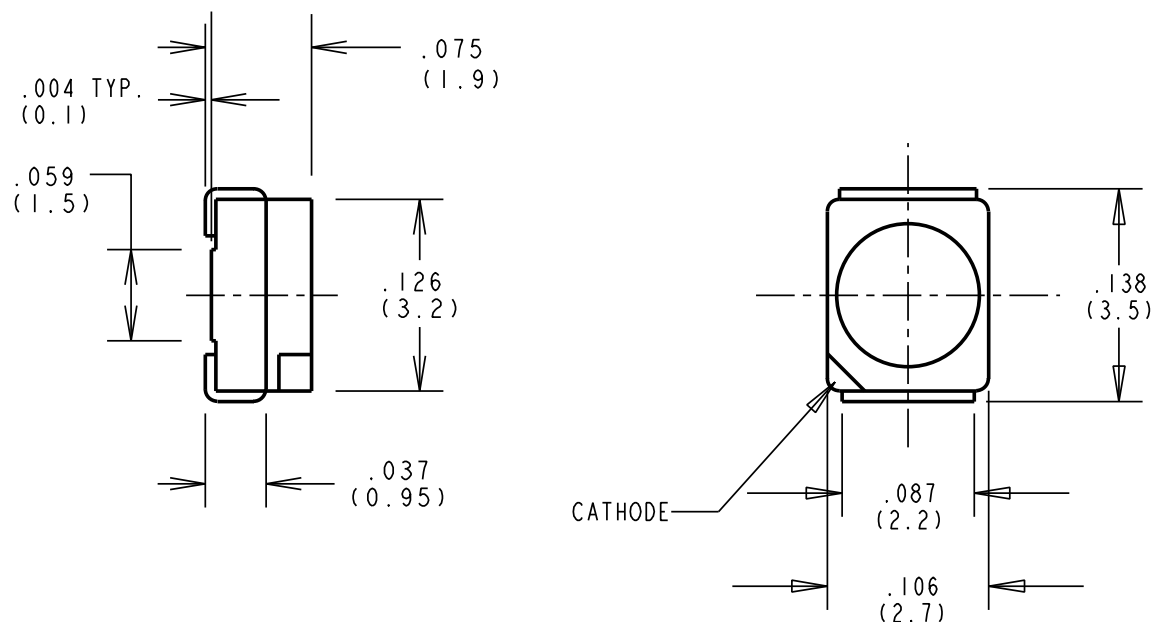
Tel: +86-755-8981 8866 Fax: +86-755-8427 6832

Email & Skype: info@chipsmall.com Web: www.chipsmall.com

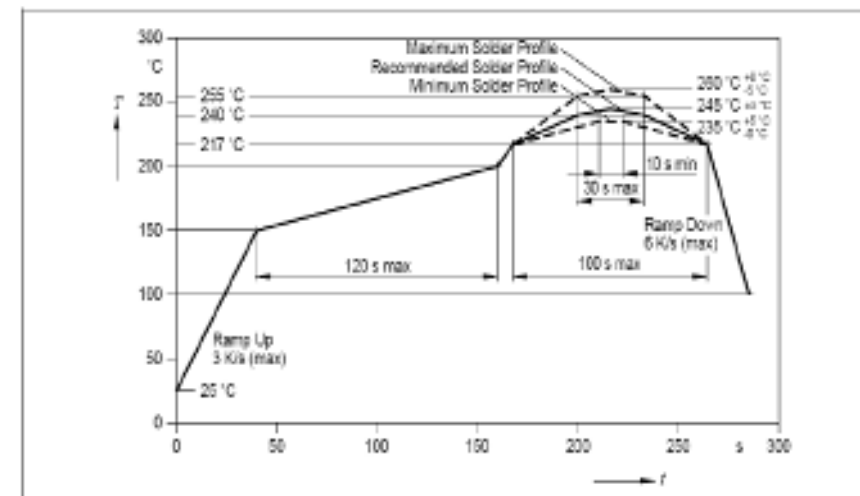
Address: A1208, Overseas Decoration Building, #122 Zhenhua RD., Futian, Shenzhen, China



| REV | ECN NO | REVISIONS | DRN | CKD | APP | DATE |
|-----|--------|---|-----|-----|-----|--------|
| A | — | NEW RELEASE | DC | YC | AV | 1-4-00 |
| B | — | ADDED REFLOW PROFILE FOR ROHS COMPLIANT PARTS AND Sn/Pb SOLDERED PARTS; ADDED ESD NOTE & LOGO; ADDED NOTE 10; UPDATED PLATING NOTES; UPDATED FORMAT | TWC | | | |



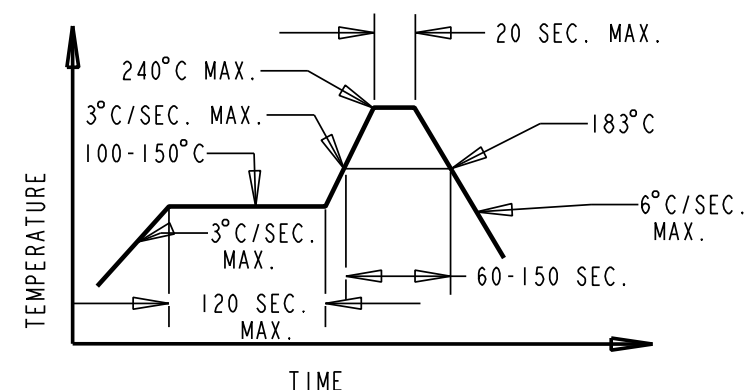
RECOMMENDED SOLDER PAD LAYOUT



REFLOW PROFILE FOR ROHS COMPLIANT PARTS

OPERATING CHARACTERISTICS AT 25° C AMBIENT

| LED CHARACTERISTICS | MIN. | TYP. | MAX. | UNITS | TEST CONDITIONS |
|-------------------------|------|------|------|---------------|-----------------------|
| LUMINOUS INTENSITY | 6.3 | | 16.0 | mcd | $I_F = 10 \text{ mA}$ |
| FORWARD VOLTAGE | | 3.5 | 4.2 | V | $I_F = 10 \text{ mA}$ |
| REVERSE CURRENT | | 0.01 | 10 | μA | $V_R = 5 \text{ V}$ |
| PEAK WAVELENGTH | | 428 | | nm | |
| 2 X 1/2-INTENSITY ANGLE | | 120 | | DEGREES | |



RECOMMENDED REFLOW SOLDERING PROFILE FOR 80/20 Sn/Pb PARTS

ABSOLUTE MAXIMUM RATINGS AT 25° C AMBIENT

| | |
|---|-------------------|
| POWER DISSIPATION | 100 mW |
| CONTINUOUS FORWARD CURRENT | 20 mA |
| DERATE LINEARLY FROM 55° C | 0.44 mA/°C |
| PEAK REVERSE VOLTAGE | 5 V |
| SOLDERING PROFILE: IR - 235°C PEAK 15 SEC., 185°C - 90 SEC. MAX. FOR 597-3601-202, AND -207 | |
| OPERATING AND STORAGE TEMPERATURE | -40 °C TO +100 °C |

NOTES:

- EPOXY COLOR: WATER CLEAR.
- DIE: InGaN.
- LEADS: TIN PLATING (Sn) 8.0±2.0 MICROMETERS OVER (Ni) NICKEL, 0.5-1.0 MICROMETERS OVER COPPER ALLOY
- LEADS: 80/20 Sn/Pb SOLDER PLATED FOR DIALIGHT P/Ns 597-3601-202 AND -207.
- SOLDER ADHERANCE: BOTH LEADS PER MIL-STD-202E, METHOD 208C.
- SUFFIX -202 FOR 20-PCS ON A SAMPLE TAPE STRIP.
- SUFFIX -207 FOR 180 mm DIA. REEL, 8 mm WIDE TAPE, PACKAGED 2000-PCS PER REEL WITH A PITCH OF 4 mm.
- DEVICES POSITIONED ON REEL WITH CATHODE SIDE TOWARDS SPROCKET.
- DIALIGHT P/N: 597-3601-202, 597-3601-207.
- TAPE AND REEL LEDS MAY REQUIRE RE-TAPING AFTER TWELVE MONTHS.
- PRODUCT P/N WITH "F" SUFFIX ENDING IS ROHS COMPLIANT. DIALIGHT P/Ns 597-3601-202F & 597-3601-207F LEDS HAVE LEADS PLATED WITH PURE TIN (Sn). SEE NOTE 3a
- THIS ASSEMBLY CONTAINS ELECTROSTATIC DISCHARGE SENSITIVE DEVICES (ESDS). MAINTAIN ALL PRECAUTIONARY MEASURES DURING ASSEMBLY, HANDLING AND STORAGE IN ACCORDANCE WITH IPC-A-610.



ATTENTION:
OBSERVE PRECAUTIONS FOR
HANDLING ELECTROSTATIC
SENSITIVE DEVICES

THIS DRAWING AND THE CONTENTS HEREIN ARE CONFIDENTIAL AND THE SOLE PROPERTY OF DIALIGHT. REPRODUCTION OF THIS DRAWING OR CONSTRUCTION OF ANY PARTS WITHIN THIS DRAWING ARE FORBIDDEN WITHOUT THE WRITTEN CONSENT OF DIALIGHT.

| | | |
|--|--|---------------|
| SCALE: DRAWING SCALE ALL DIM'S IN: INCHES (MM) | DRAWING NUMBER C-16643 | REV B |
| TOLERANCES: UNLESS OTHERWISE SPECIFIED FRACTIONS: ±1/64 DECIMALS (.XX): ±.01 DECIMALS (.XXX): ±.005 DECIMALS (.XXXX): ±.0005 ANGLES: ±1° | TITLE BLUE SMT LED | MATERIAL |
| FINISH: | | |
| FSCM 83330 | 1501 ROUTE 34 SOUTH FARMINGDALE, NJ 07727 | |
| | SHEET 1 OF 1 | FAMILY TABLE: |